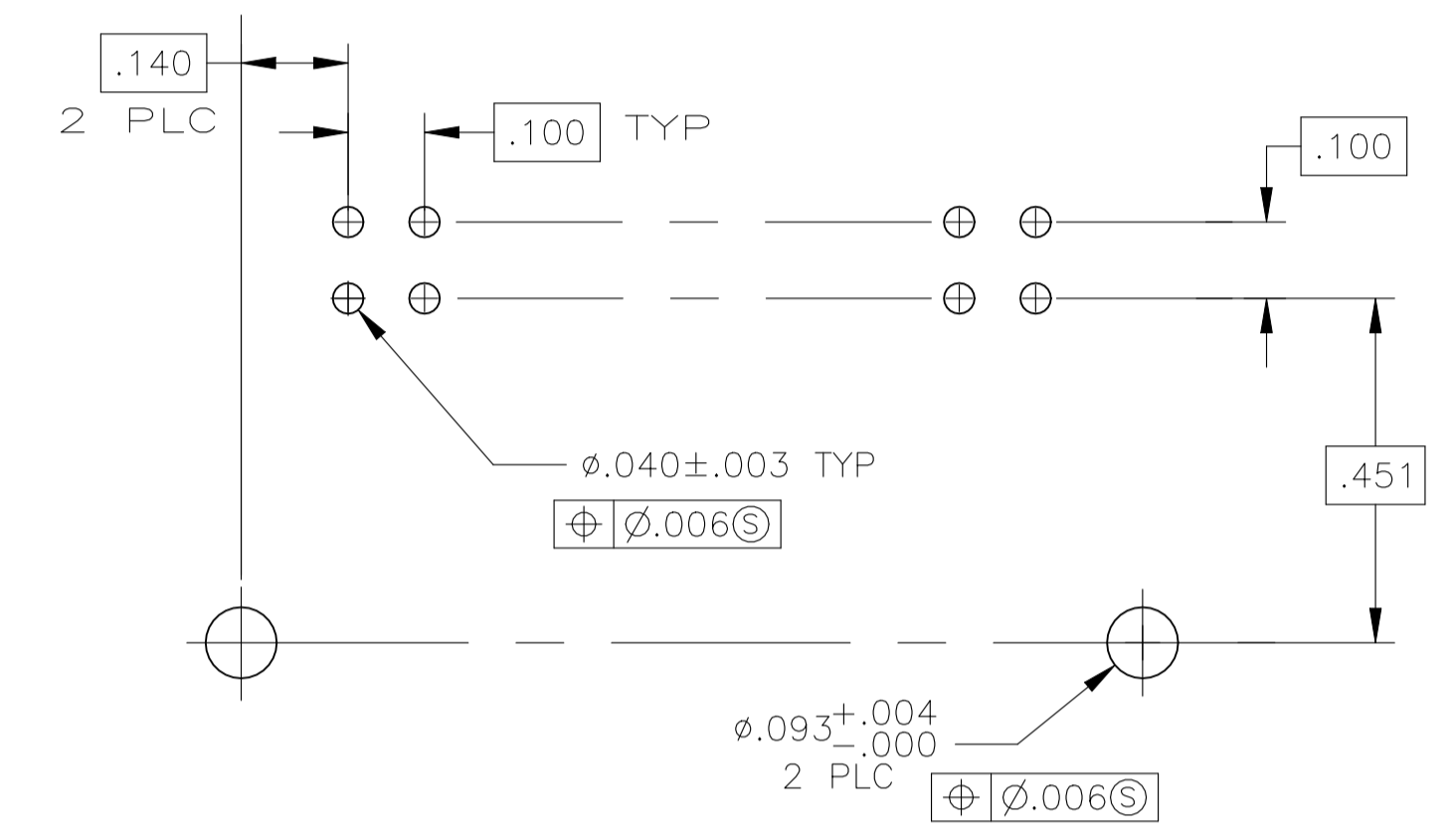
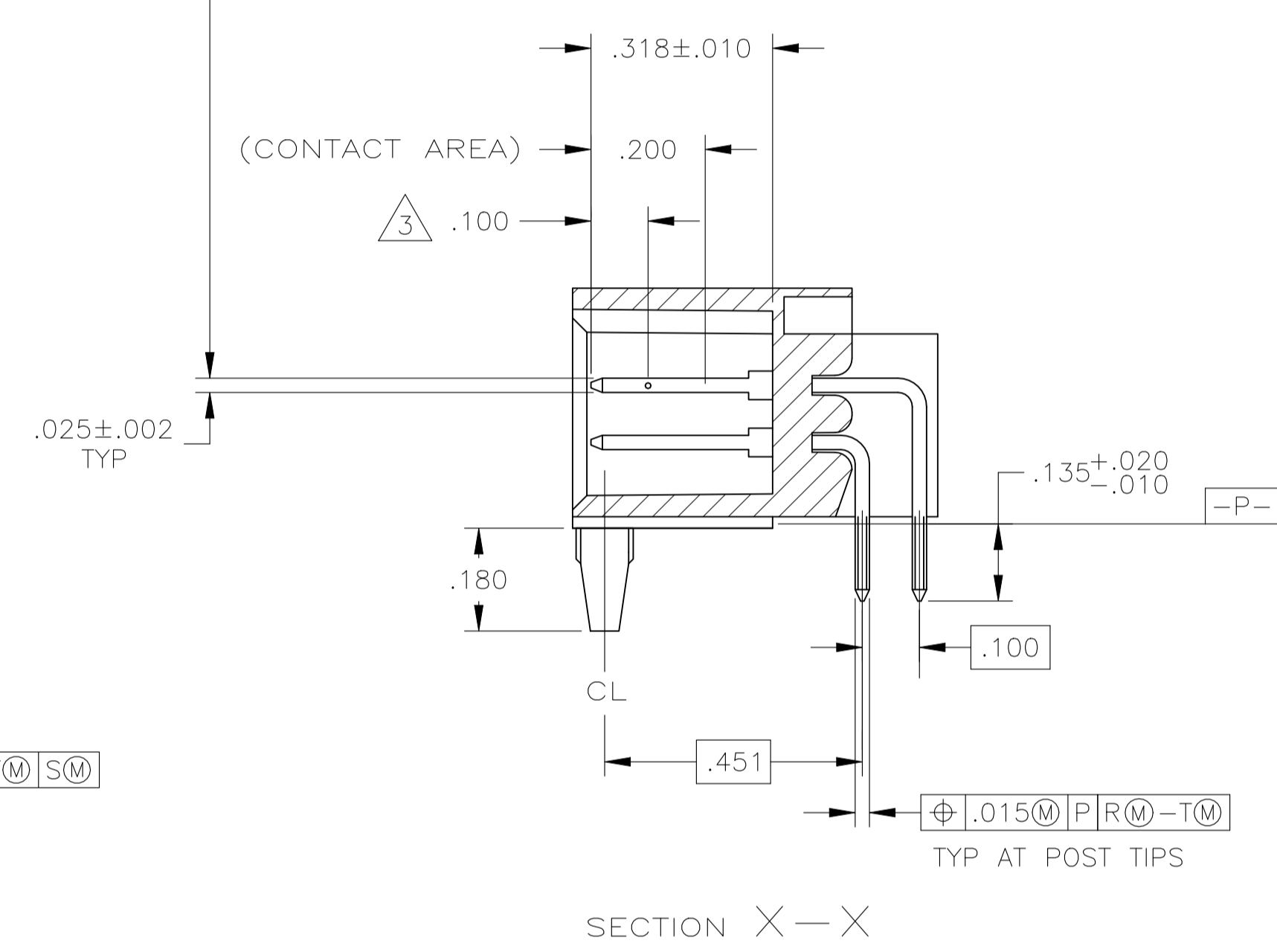
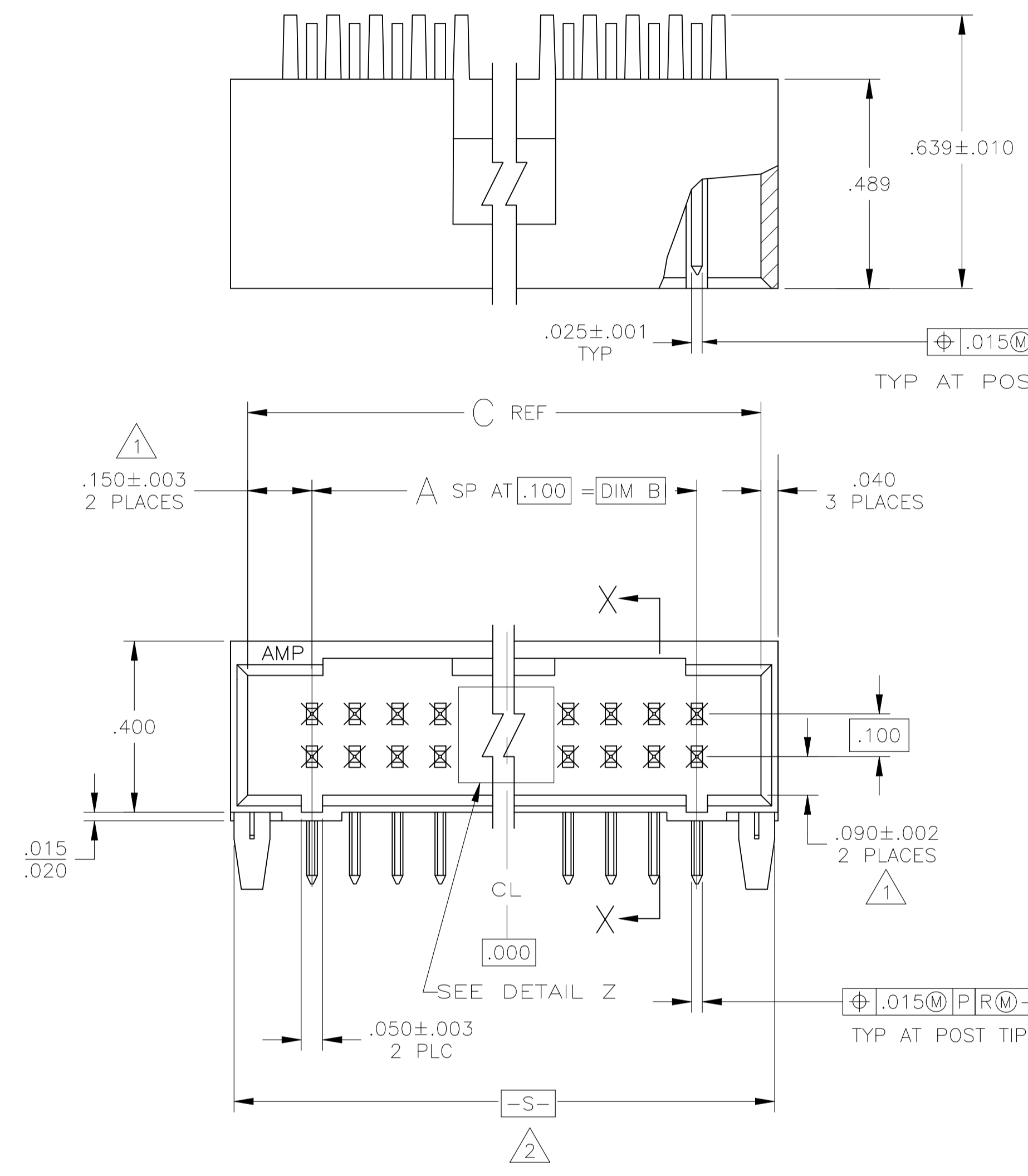
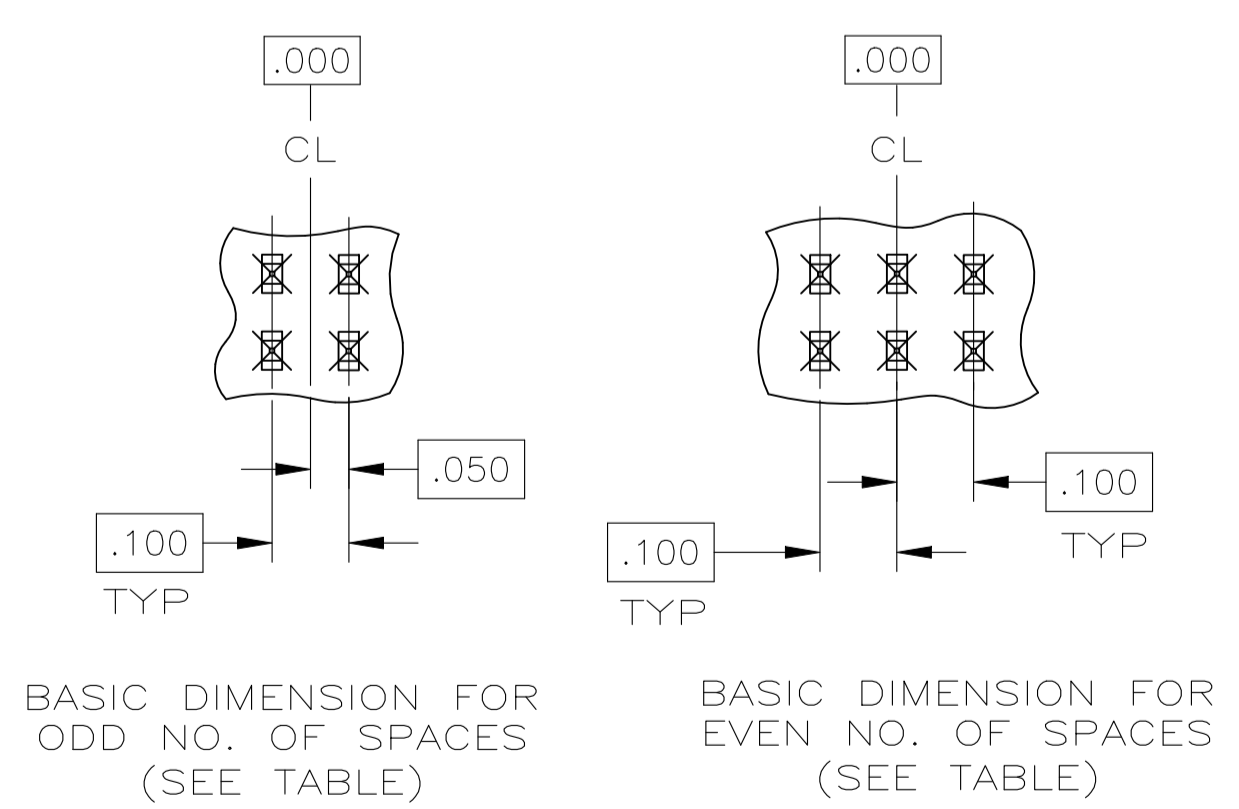
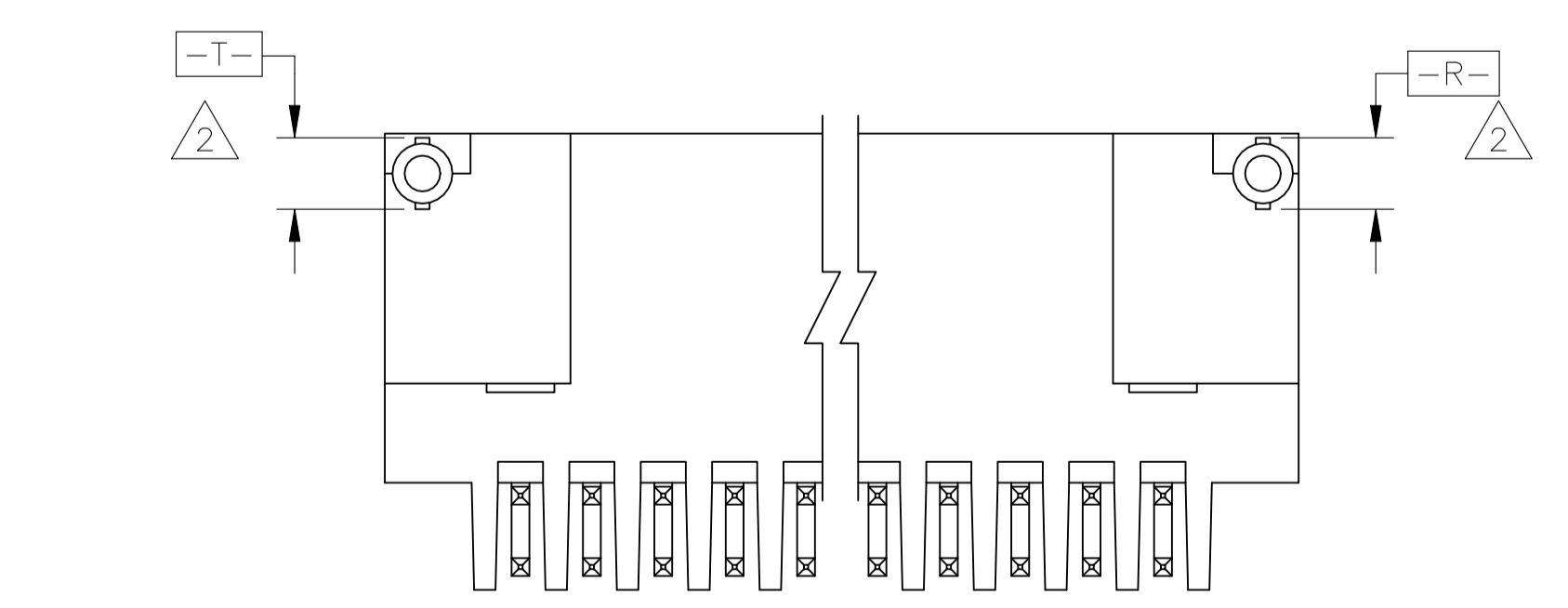


REVISIONS					
P	LTR	DESCRIPTION	DATE	DN	APVD
H4		REVISED PER ECR-23-193923	25MAR24	RK	CAS

- 1 THE NOTED DIMENSIONS APPLY AT THE INTERSECTION OF THE POST AND HOUSING
- 2 THE NOTED DIMENSIONS APPLY AT THE INTERSECTION WITH DATUM $-P-$
- 3 POINT OF MEASUREMENT FOR PLATING THICKNESS
- 4 POSTS: .000015 GOLD IN CONTACT AREA, .000100-.000200 MATTE TIN-LEAD ON SOLDER TAIL, ALL OVER .000050 NICKEL
- 5 POSTS: .000015 GOLD IN CONTACT AREA, .000100-.000200 MATTE TIN ON SOLDER TAIL, ALL OVER .000050 NICKEL
- 6 OBSOLETE PARTS: OBSOLETE CIS STREAMLINING PER D.RENAUD/D.SINISI



RECOMMENDED HOLE LAYOUT



DETAIL Z

PLATING	NO OF SPACES	C	B	A	NO OF POSN	ASSEMBLY PART NUMBER
6 OBSOLETE	23	2.600	2.300	23	48	5-104319-9
5	.800	.500	5	12	5-104319-8	
4	.700	.400	4	10	5-104319-7	
6 OBSOLETE	16	1.900	1.600	16	34	5-104319-6
6 OBSOLETE	6	.900	.600	6	14	5-104319-5
6 OBSOLETE	19	2.200	1.900	19	40	5-104319-4
5	14	1.700	1.400	14	30	5-104319-3
5	9	1.200	.900	9	20	5-104319-2
5	7	1.000	.700	7	16	5-104319-1
6 OBSOLETE	23	2.600	2.300	23	48	104319-9
5	.800	.500	5	12	104319-8	
4	.700	.400	4	10	104319-7	
4	16	1.900	1.600	16	34	104319-6
4	6	.900	.600	6	14	104319-5
4	19	2.200	1.900	19	40	104319-4
4	14	1.700	1.400	14	30	104319-3
4	9	1.200	.900	9	20	104319-2
4	7	1.000	.700	7	16	104319-1

SUPERCEDED BY 5-104319-7

THIS DRAWING IS A CONTROLLED DOCUMENT.

DIMENSIONS: INCHES	TOLERANCES UNLESS OTHERWISE SPECIFIED:	DIN H MOLL 19-10-87	TE Connectivity
0 PLC ± -	1 PLC ± -	CHK R. FEJDT	NAME
2 PLC ± -	3 PLC ± .005	APVD	PRODUCT SPEC
4 PLC ± -	ANGLES ± -	APVD	APPLICATION SPEC
MATERIAL: HOUSING, FLAME RETARDANT THERMOPLASTIC, COLOR-BLACK, POSTS, PHOS BRONZE	FINISH: SEE TABLE	WEIGHT	SIZE: A1
		CUSTOMER DRAWING	SCALE: 4:1

HDR ASSY, MOD II, SHROUDED, 4 SIDES, DR, .100X.100 q, RT ANGLE, W/ .025 SQ POSTS

00779 C=104319

SHEET 1 of 1 REV H4