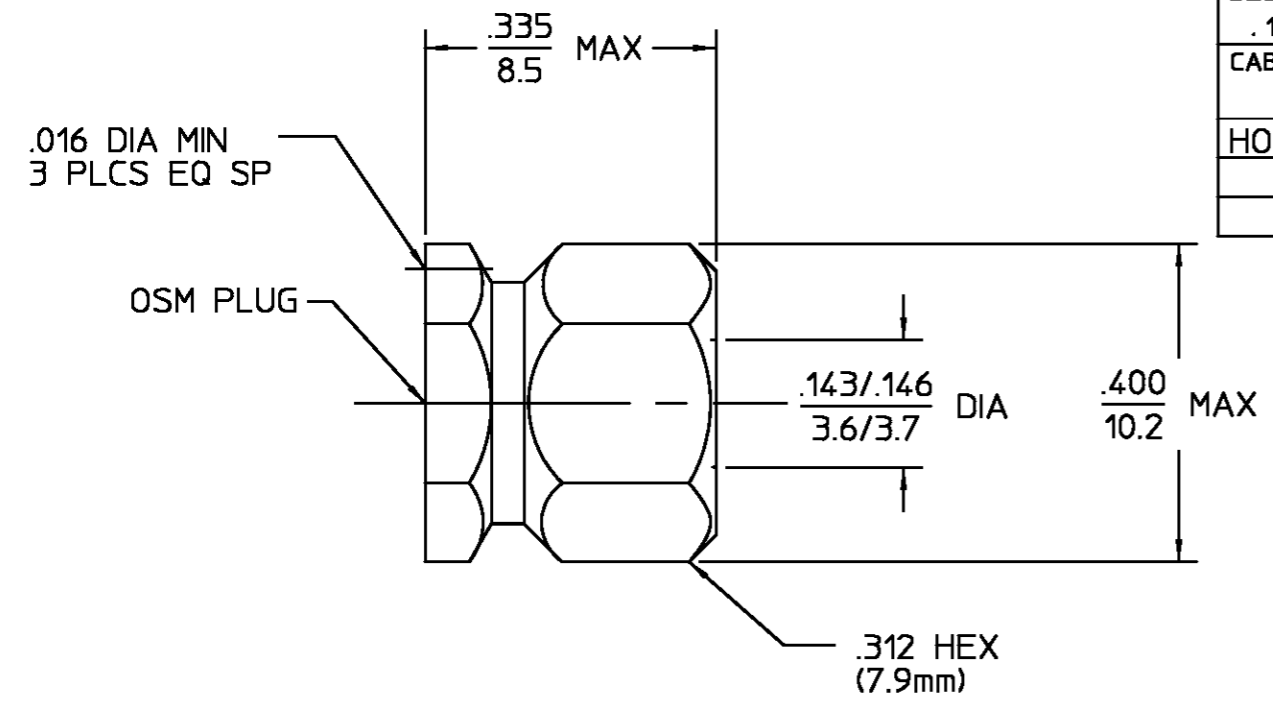


DESIGNED FOR USE WITH	.141 DIA S.R. CABLE
CABLE ENTRY DIAMETER MINIMUM	
HOUSING	.143

REVISIONS			
REV	DESCRIPTION	DATE	APPROVED
010	RELEASED	2/13/95	<i>RAC</i>



COMPONENT	MATERIAL	FINISH
HOUSING	STAINLESS STEEL PER ASTM-A484 AND ASTM-A582, TYPE 303	GOLD PLATE PER MIL-G-45204
COUPLING NUT	STAINLESS STEEL PER ASTM-A484 AND ASTM-A582, TYPE 303	PASSIVATE PER ASTM-A380
RETAINING RING	BERYLLIUM COPPER PER ASTM B 194, ALLOY C17200, CONDITION H	N/A
GASKET	SILICONE RUBBER PER ZZ-R-765	N/A

ELECTRICAL	MECHANICAL	ENVIRONMENTAL
Nominal Impedance (Ohms) <u>50</u>	Interface Dimensions MIL-STD-348A, Fig. <u>310.3</u>	Temperature Rating <u>-65°C to 105°C</u>
Frequency Range (GHz) DC to <u>18.0</u>	Recommended Mating Torque <u>7 to 10 in-LBs</u>	Vibration MIL-STD-202, Method 204, Condition D
Volt Rating (VRMS MAX) @ Sea Level <u>335</u>	Mating Characteristics: Insertion (MAX Lbs) <u>N/A</u>	Shock MIL-STD-202, Method 213, Condition I
VSWR <u>1.02 + .005f(GHz)</u>	Withdrawal (MIN Oz) <u>N/A</u>	Thermal Shock MIL-STD-202, Method 107, Condition B, Except High Temp <u>115°C</u>
Insertion Loss (dB MAX) <u>.03 √f(GHz)</u>	Force to Engage and Disengage (In/Lbs MAX) <u>2.0</u>	Moisture Resistance MIL-STD-202, Method 106, No Measurement At High Humidity
RF Leakage (dB MIN) <u>-(90-f(GHz))</u>	Center Contact Captivation Axial (Lbs) <u>N/A</u>	Corrosion - MIL-STD-202, Method 101, Condition B, 5% salt spray
Corona, 70,000 Ft (VRMS MIN) <u>250</u>	Radial (In/Oz) <u>N/A</u>	
Dielectric Withstanding Voltage (VRMS MIN) @ Sea Level <u>N/A</u>	Cable Retention Axial Force (Lbs) <u>60 MIN</u>	
Contact Resistance (Milliohms MAX) Center Contact <u>N/A</u>	Torque (In/Oz) <u>55</u>	
Outer Contact <u>2.0</u>	Weight (Grams) <u>1.8</u>	
Cable to Housing <u>0.5</u>		
RF High Potential @ Sea Level (VRMS MIN @ 5 MHz) <u>670</u>		
LR.(Megohms MIN) <u>N/A</u>		

UNLESS OTHERWISE SPECIFIED DIMENSIONS ARE IN INCHES TOLERANCE ON

FRAC.	DEC.	ANGLES
± 1/64	±.005	± 1°

DRAWN BY *RAC* DATE 2/13/95

CHECKED BY *RAC*

APPD BY *RAC* DATE 2/13/95

USE ASS'Y PROCEDURE

408-04843  
NO. AP. (20-561)

AMP Incorporated  
140 Fourth Avenue  
Waltham, MA 02451-7599

TITLE OSM STRAIGHT CABLE PLUG DIRECT SOLDER ATTACHMENT M39012/92B3001 CAT. B

SIZE	CODE IDENT NO.	REV
B	26805	010

SCALE 5:1 SHEET 1 OF 1

CUSTOMER DRAWING

AMP PART # 1050805-1  
SHEET 1 OF 1 REV A