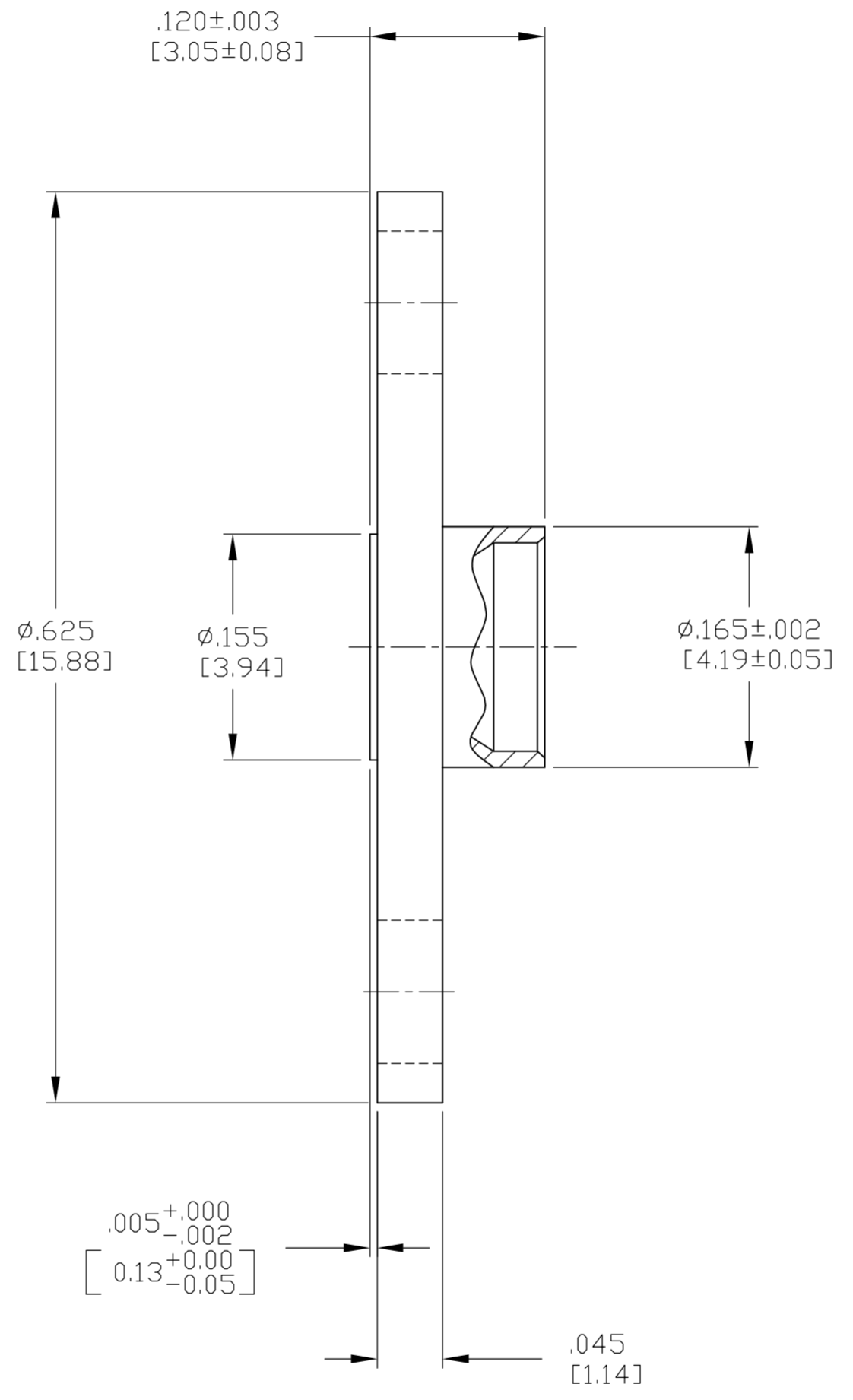
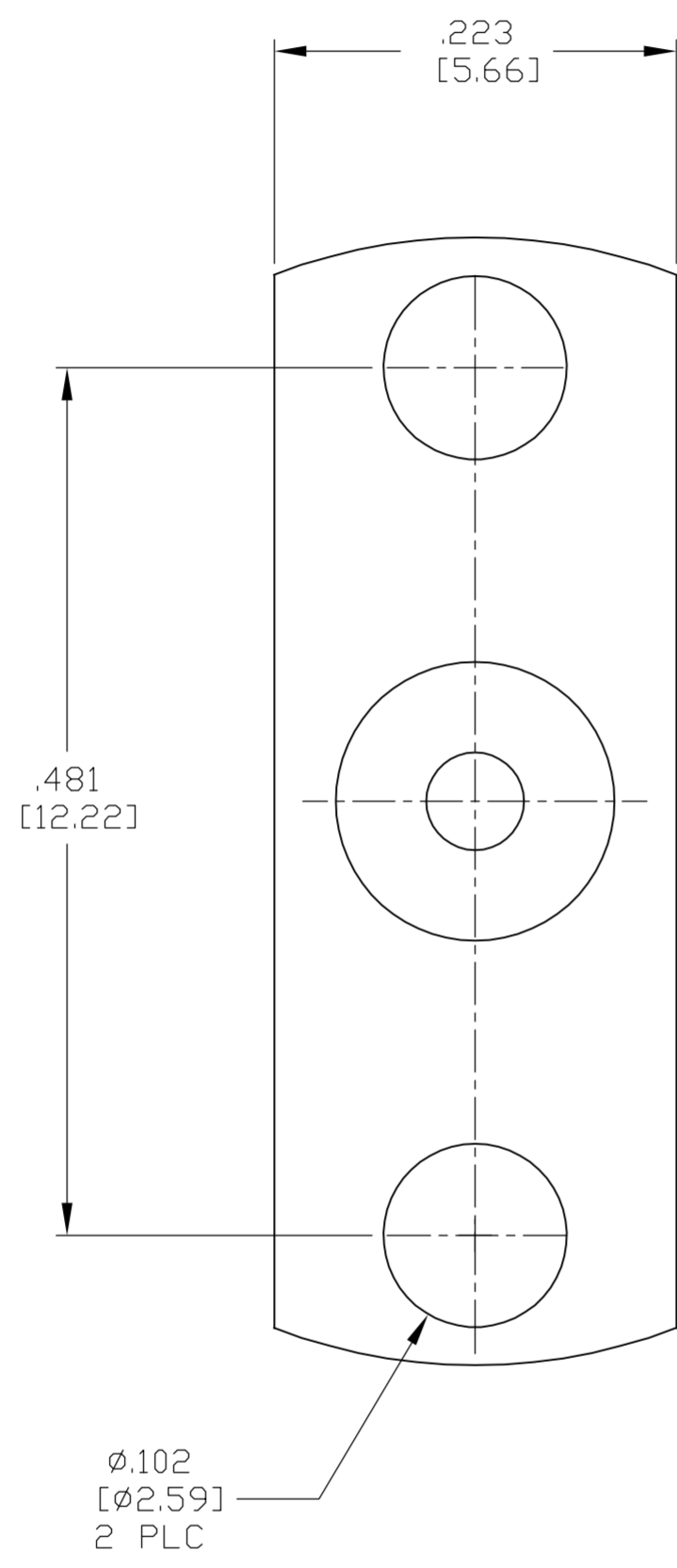


THIS DRAWING IS UNPUBLISHED. RELEASED FOR PUBLICATION
 © COPYRIGHT BY TYCO ELECTRONICS CORPORATION. ALL RIGHTS RESERVED.

LOC	DIST	REVISIONS					
DF	X0	P	LTR	DESCRIPTION	DATE	DWN	APVD
		C		REV PER ECO 05-12611	24OCT05	BM	CT

- 1. STAINLESS STEEL PER ASTM-A-582
- 2. PASSIVATION PER AMS QQ-P-35
- 3. SMP INTERFACE PER MIL-STD-348A, FIGURE 326-2
- 4. DSCC REFERENCE PART NUMBER: 94007ZSP-4
- 5. SEE INSTRUCTION SHEET 408-4752



2	1	1056741-1
FINISH	MATERIAL	PART NO.

THIS DRAWING IS A CONTROLLED DOCUMENT.		DWN B. MOYER 24OCT05	Tyco Electronics Corporation Harrisburg, PA 17105-3608	
DIMENSIONS: INCHES		CHK C THOMAS 24OCT05	NAME HOUSING SHROUD, FULL DETENT, SMP	
TOLERANCES UNLESS OTHERWISE SPECIFIED:		APVD B MOYER 24OCT05	SIZE A2	CAGE CODE 00779
0 PLC ± -		PRODUCT SPEC	DRAWING NO C=1056741	RESTRICTED TO
1 PLC ± -		APPLICATION SPEC	SCALE 10:1	SHEET 1 of 1
2 PLC ± -		WEIGHT -	REV C	
3 PLC ± .005 [0.13]				
4 PLC ± -				
ANGLES ± 1°				
MATERIAL SEE TABLE		FINISH SEE TABLE		
		CUSTOMER DRAWING		

1056741