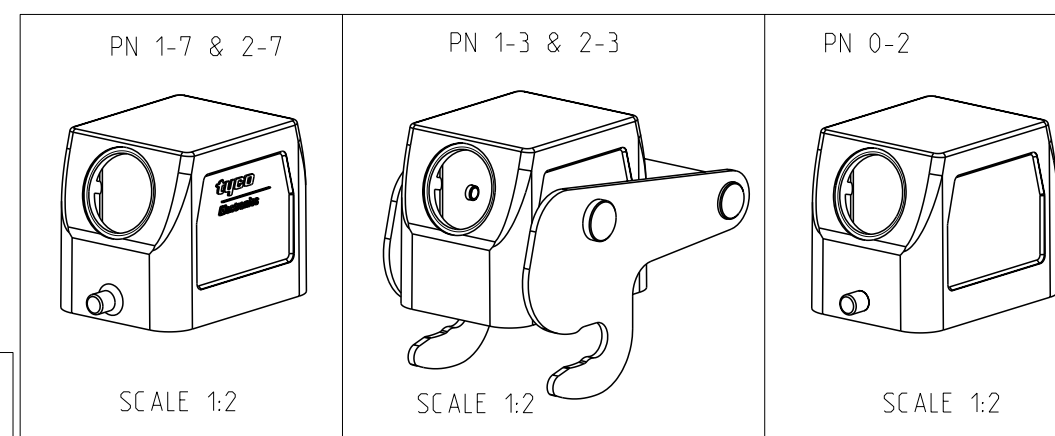


REVISIONS

P	LTR	DESCRIPTION	DATE	DWN	APVD
A6		Released as per ECR-08-005944	06.Mar.2008	SP	TS
A7		ECR-16-015318	16AUG2017	GR	MKO
A8		REVISED PER ECR-17-013084	11JAN2018	SRG	MKO

Notes

- 1 Material: Housing: Aluminium diecasting alloy
- 2 Surface:- Varnish-grey/White
-Aluminium oxide+Varnish black
- 3 Varnish on the inside not necessary
- 4 Packaging
Packaging quantity: 5 pieces in a box



OBsolete	OBsolete	OBsolete								
-	1	1	-	-	Central clip-ZB	Stainlees steel	Blank	-	7	
-	-	1	-	-	Central clip-ZB	Steel	Zinc plated	Blue	6	
2	-	-	-	-	LB-Clip bolt	Stainlees steel	Blank	-	5	
1	-	-	-	-	Hood HB	Aluminium	-	White	4	Without bolt
-	1	-	-	-	Hood HB	Aluminium	-	Grey	3	Also 2xM3 for identification plate
-	-	1	-	1	Hood HB-K	Aluminium	Aluminium oxide	Black	2	
-	-	-	1	-	Hood HB	Aluminium	-	Grey	1	
0-2	0-1	2-3	1-3	2-7	DESCRIPTION	MATERIAL	SURFACE	COLOR	ITEM NO	NOTES

ORDERING TEXT

HB.6.STS.1.16.G

HB-K.6.STS.1.16.G

HB-Z.6.STS-ZB.1.16.G

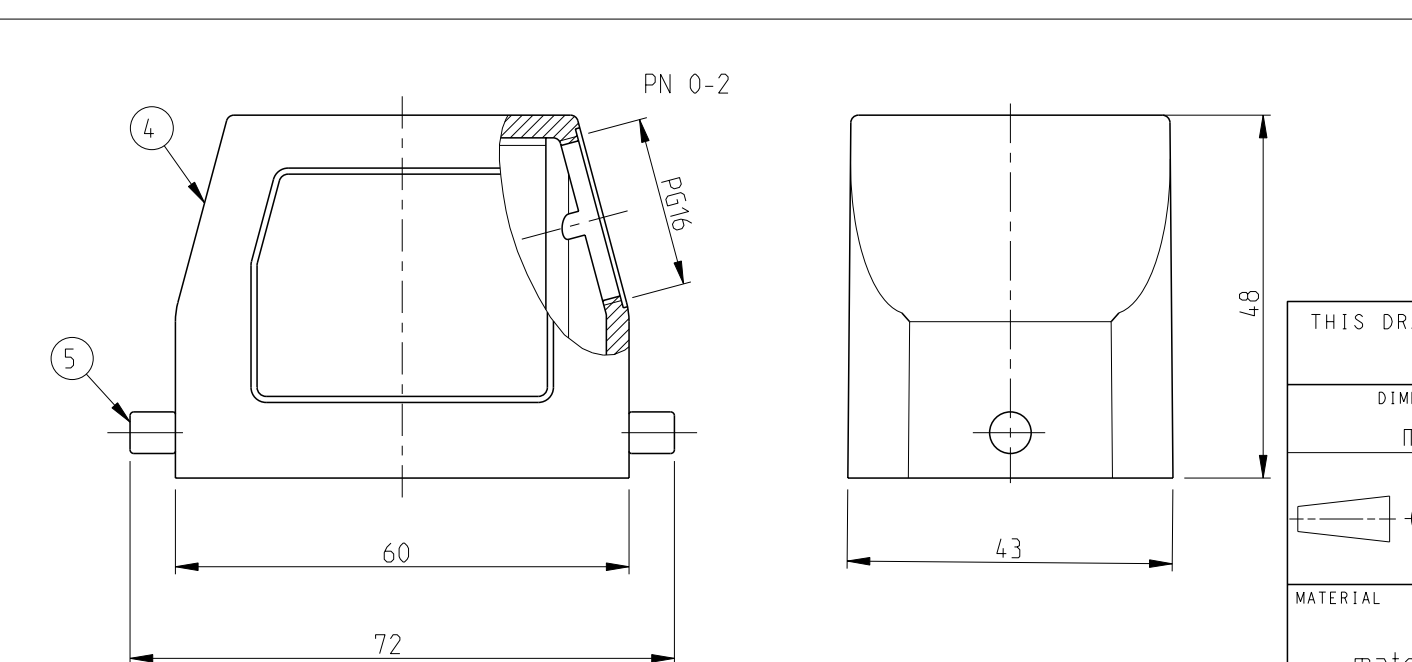
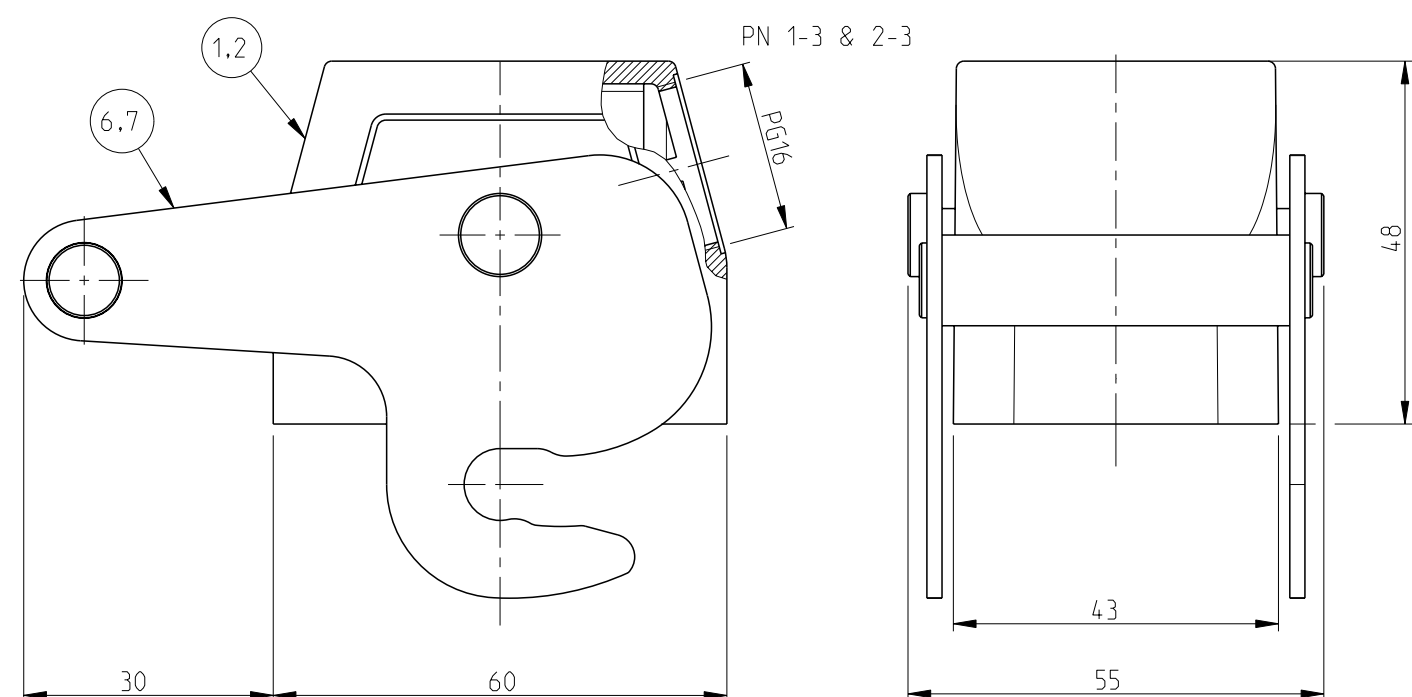
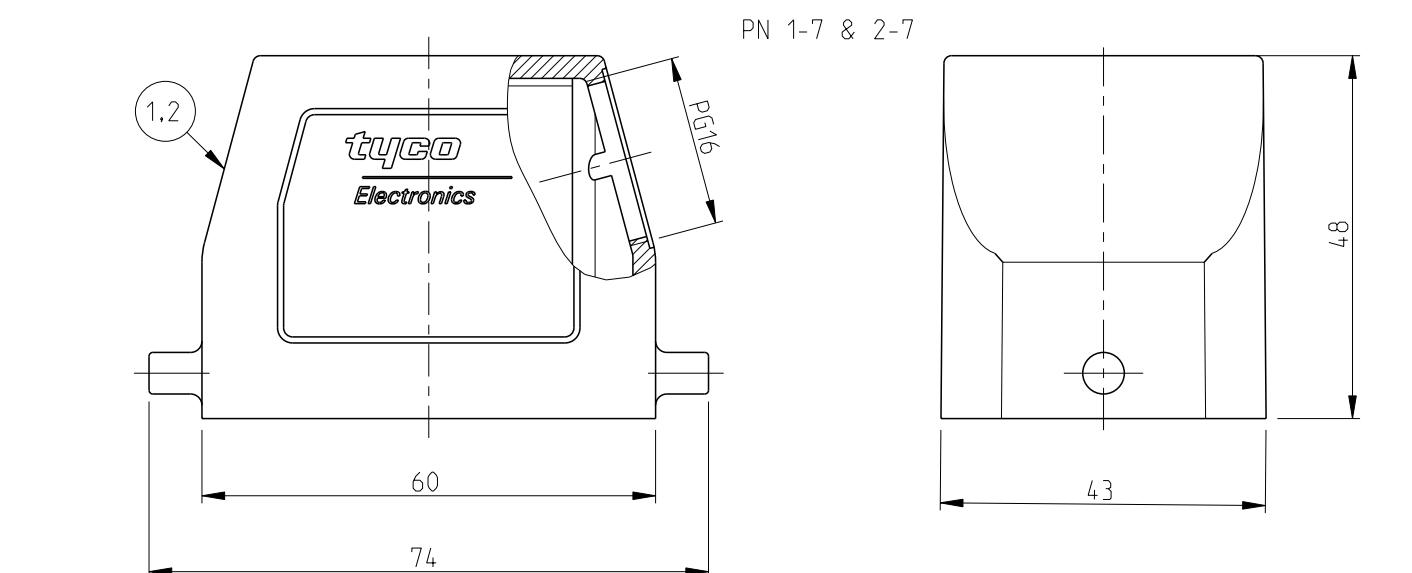
HB-K/Z.6.STS-ZB.1.16.G

HB.6.STS.1.16.G.S0

HB.6.STS.1.16.G

THIS DRAWING IS A CONTROLLED DOCUMENT.

DWN	Schneider	25.05.1999	 TE Connectivity	NAME Hood HB.6.STS.1.16.G
CHK	Schweiger	25.05.1999		
APVD				
PRODUCT SPEC			108-74001/74003	SIZE A3
APPLICATION SPEC			114-74001/74004/74005	
WEIGHT				DRAWING NO C-1102240
CUSTOMER DRAWING			SCALE	1:1
			SHEET	1 OF 1
			REV	A8



DIMENSIONS: mm

TOLERANCES UNLESS OTHERWISE SPECIFIED:

0 PLC	±
1 PLC	±
2 PLC	±
3 PLC	±
4 PLC	±
ANGLES	±

MATERIAL: material_2

FINISH: finish_spec_2