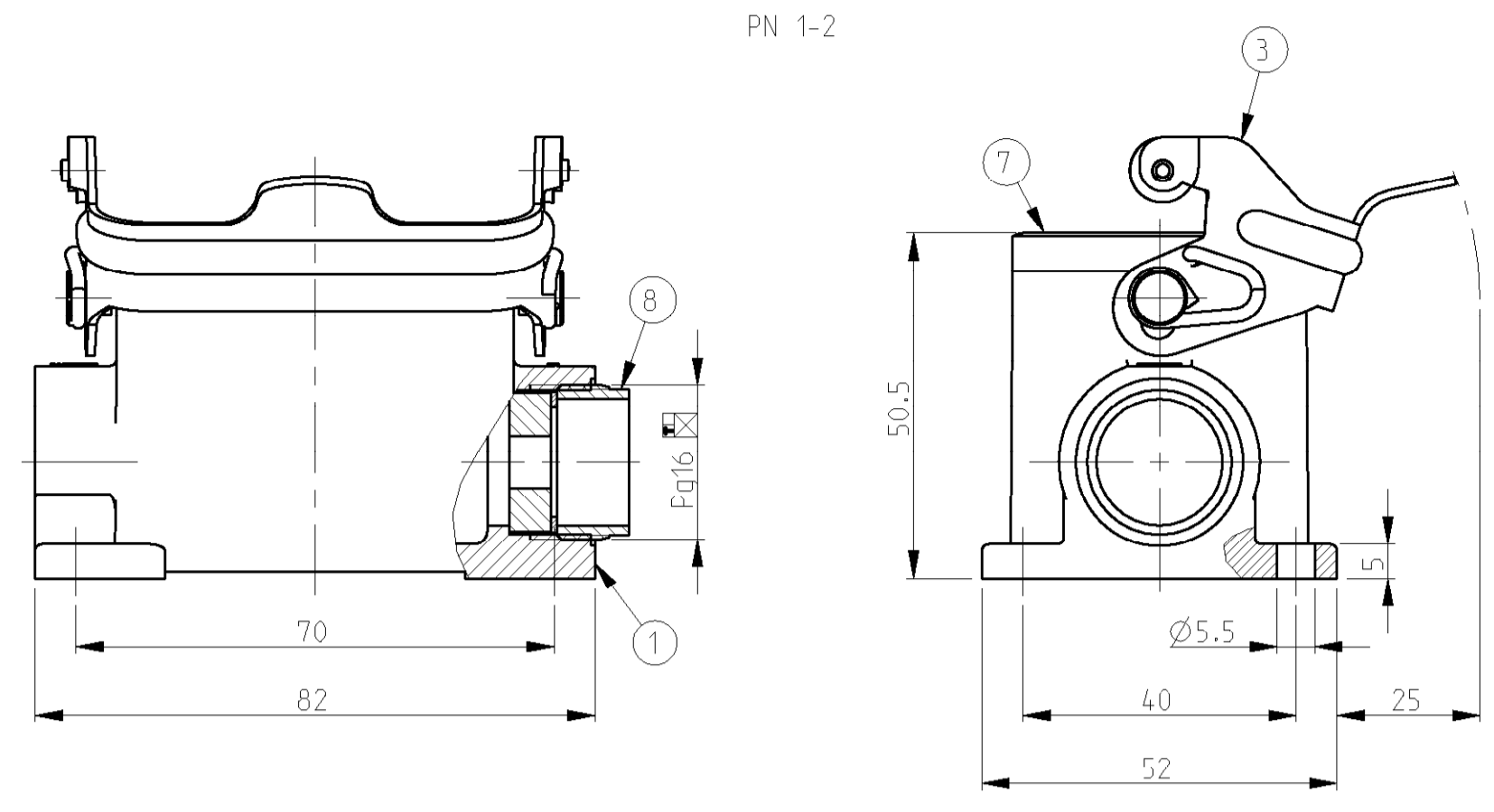
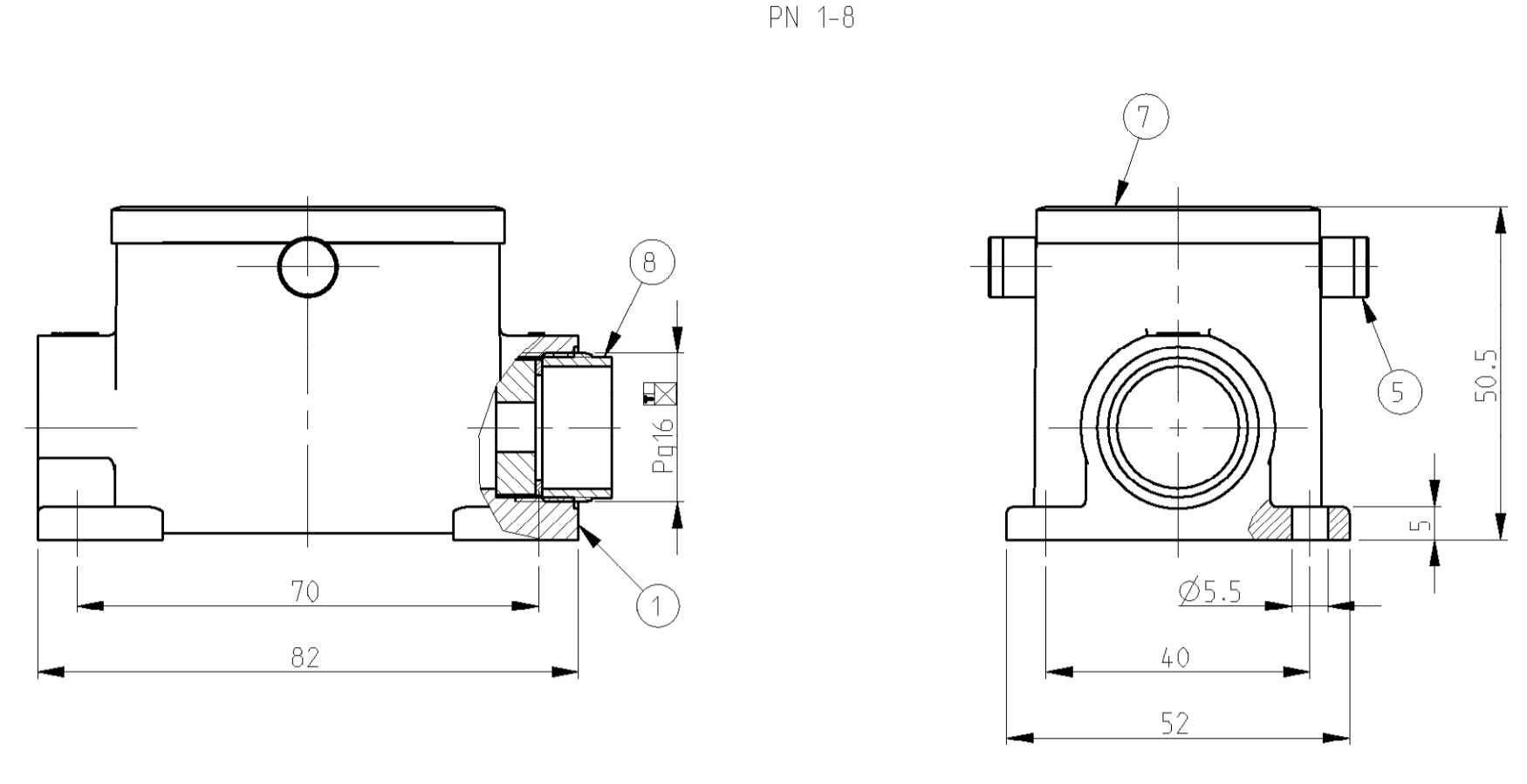


LOC	DIST	REVISIONS					
		#	LYR	DESCRIPTION	DATE	DWN	APVD
A1	-	A3		Released as per ECR-08-018916	29 July 2008	SP	TS
		A4		REVISED PER ECO-09-027197	29 JAN 10	KK	HMR
		A5		REVISED PER ECR-18-013746	10 APR 2019	SR	MKO

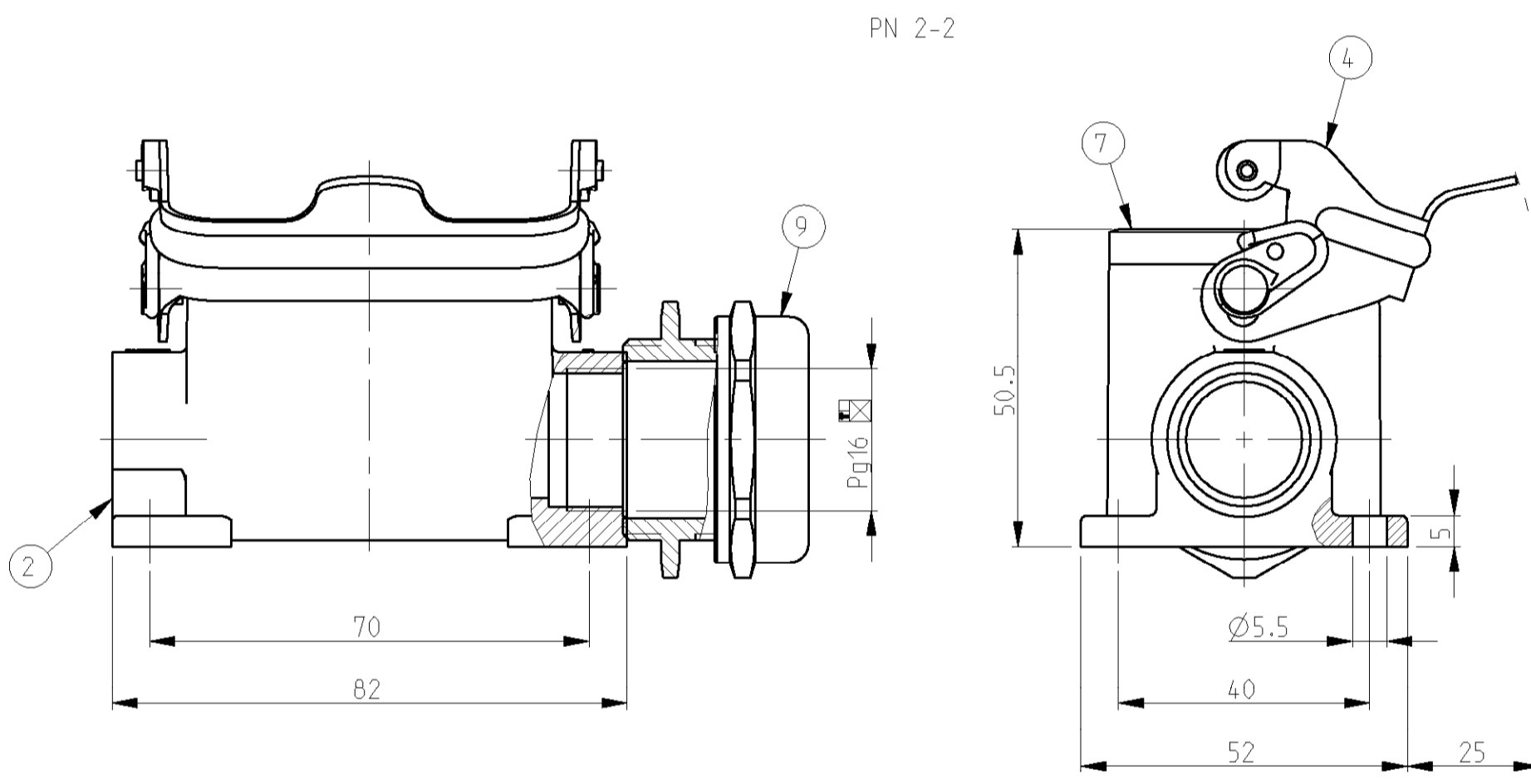
PN 1-2



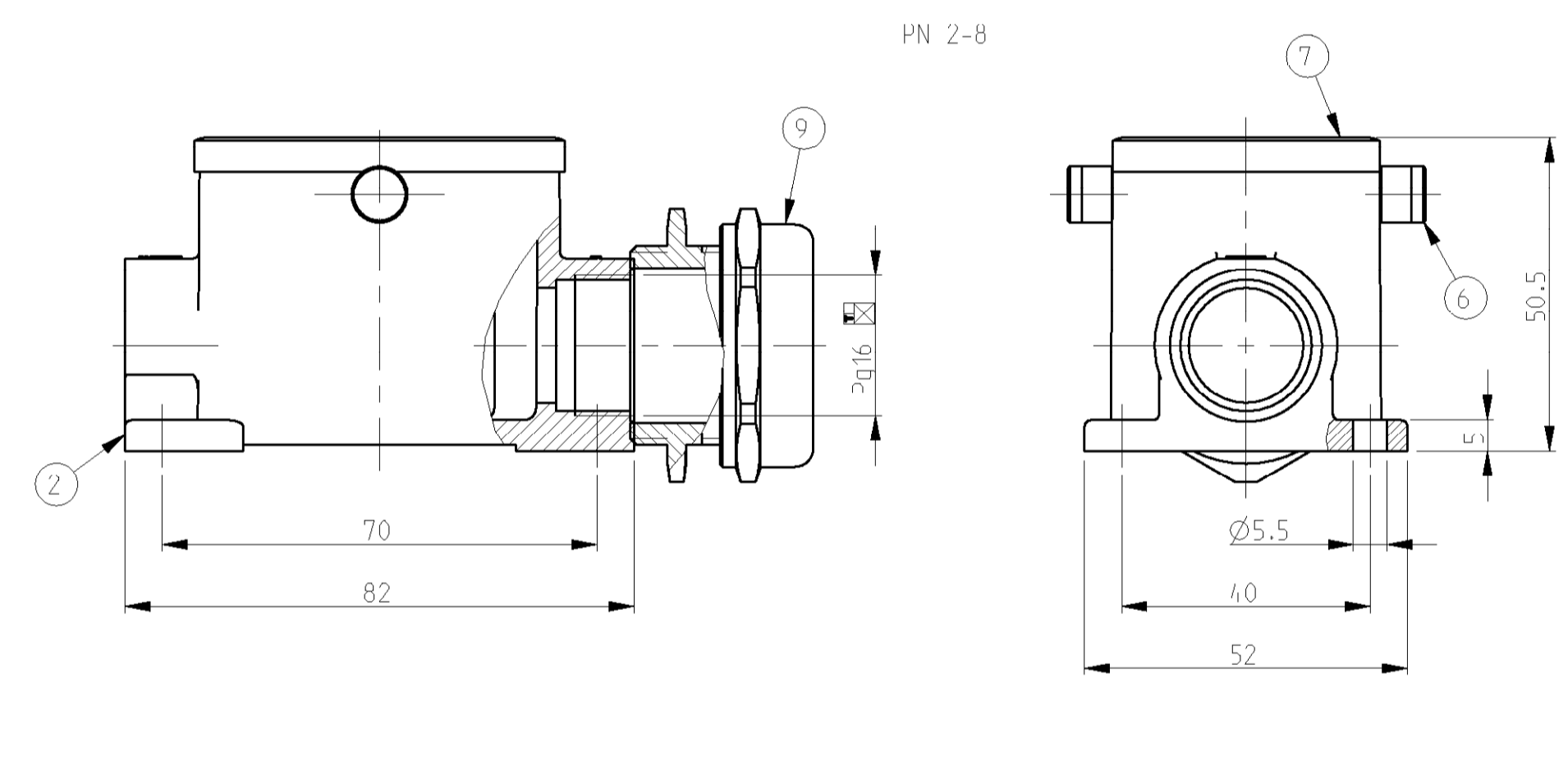
PN 1-8



PN 2-2

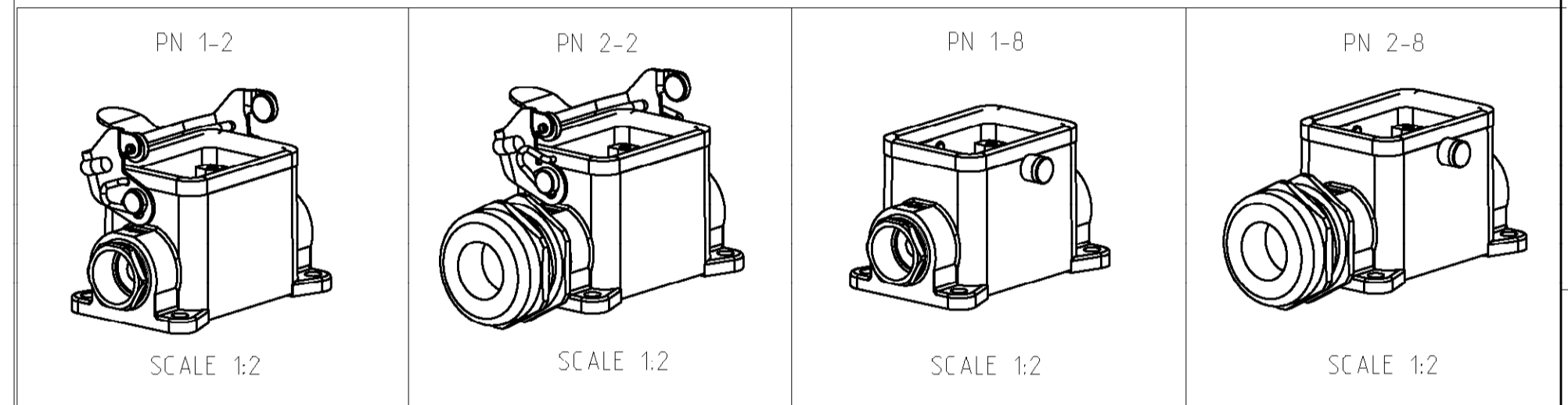


PN 2-8



NOTES.

- 1 Material:Housing:Aluminium Diecasting Alloy
Seals:Neoprene
- 2 Surface:Varnish grey
-Aluminium Oxide +Varnish Black
- 4 Packaging
Quantity 5 Pieces in a box
- ⚠** OBSOLETE PARTS: OBSOLETE CIS STREAMLINING PER D.RENAUD/D.SINISI



QTY	DESCRIPTION	MATERIAL	SURFACE	COLOR	ITEM NO	REMARKS
1	Gland Fitting Pg16	Brass	Nickel plated		9	
1	Cable fitting Pg16	Brass	Nickel plated		8	
1	Profile seal	Neoprene		Black	7	
2	ZB-Clip bolt	Stainless steel			6	
2	ZB-Clip bolt	Steel	Zinc plated	Blue	5	
1	LB-Side clip finished product	Stainless steel			4	
1	LB-Side clip finished product	Steel	Zinc plated	Blue	3	
1	Surface mounted housing side entry HB6.1.16	Aluminium	Aluminium oxide	Black RAL 9005	2	
1	Surface mounted housing side entry HB6.1.16	Aluminium		Grey RAI 7001	1	
6-2 2 8 1-8 2 2 1-2	DESCRIPTION	MATERIAL	SURFACE	COLOR	ITEM NO	REMARKS
ORDERING TEXT						
HB-6.SG-LB.1.16						
HB-K.6.SG-LB.1.16						
HB-Z.6.SG-ZVGR.1.16						
HB-K/2.6.SG-ZVGR.1.16						
HB-6.SG-LB.1.16-S0						

TE Connectivity

Surface mounted housing side entry HB.6.1.16

SCALE 1:1 SHEET 1 OF 1 REV A5