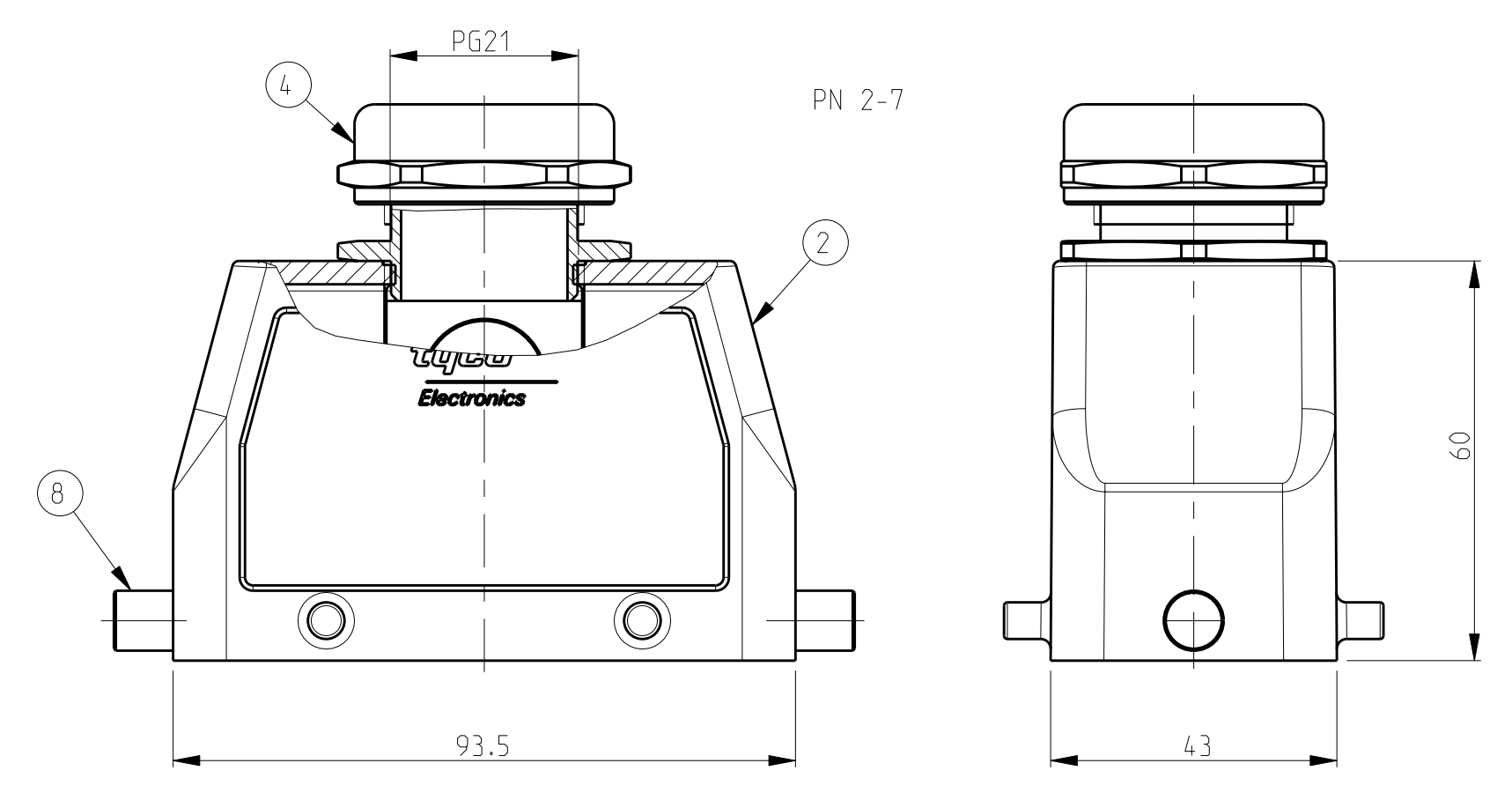
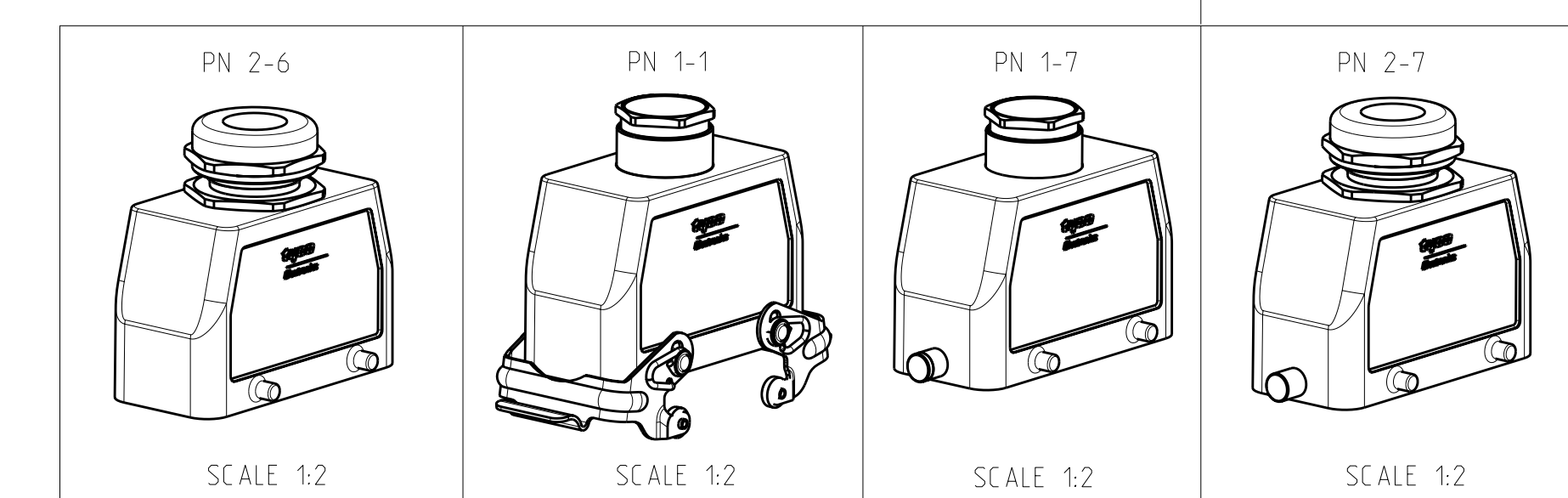
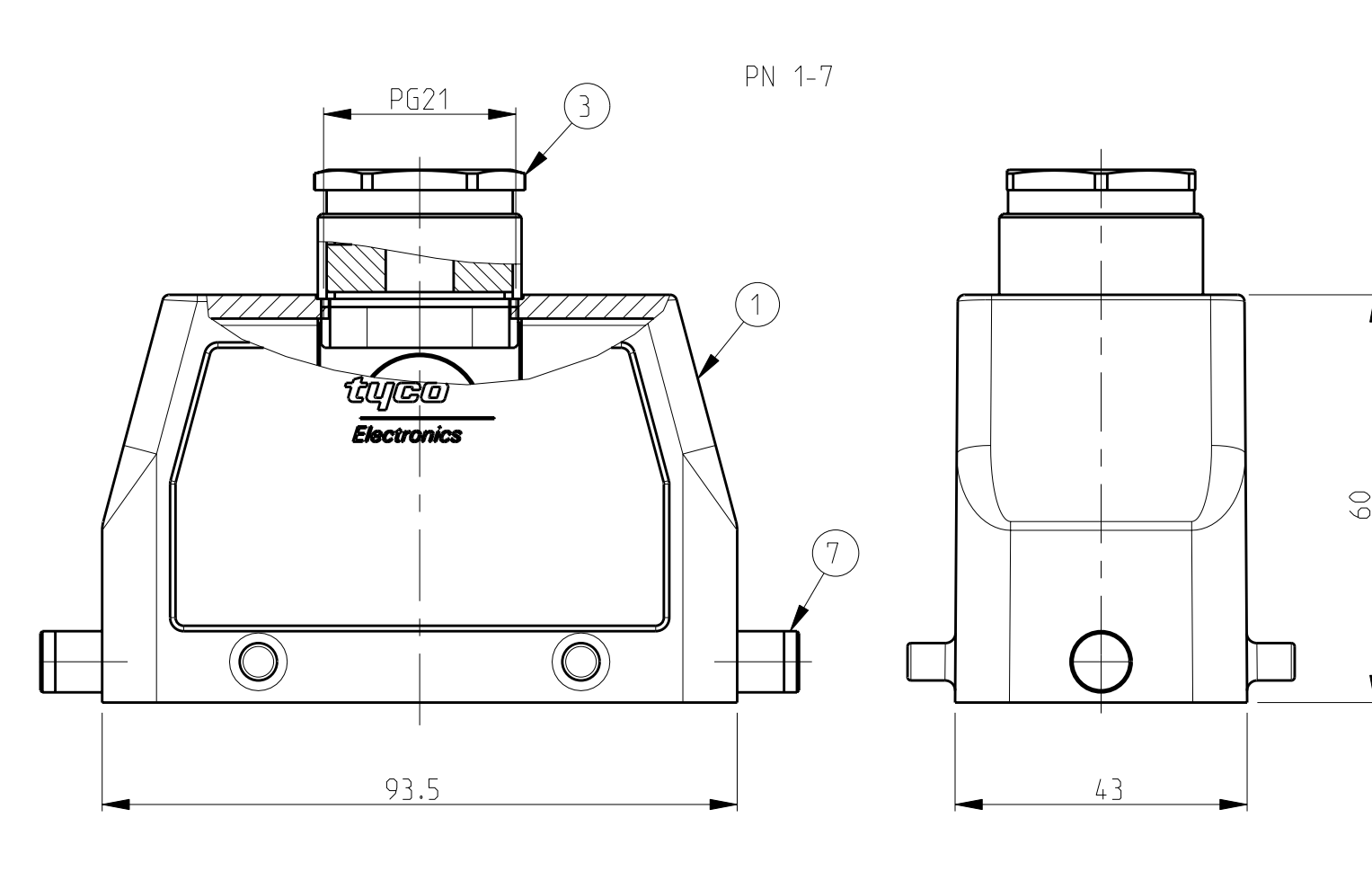
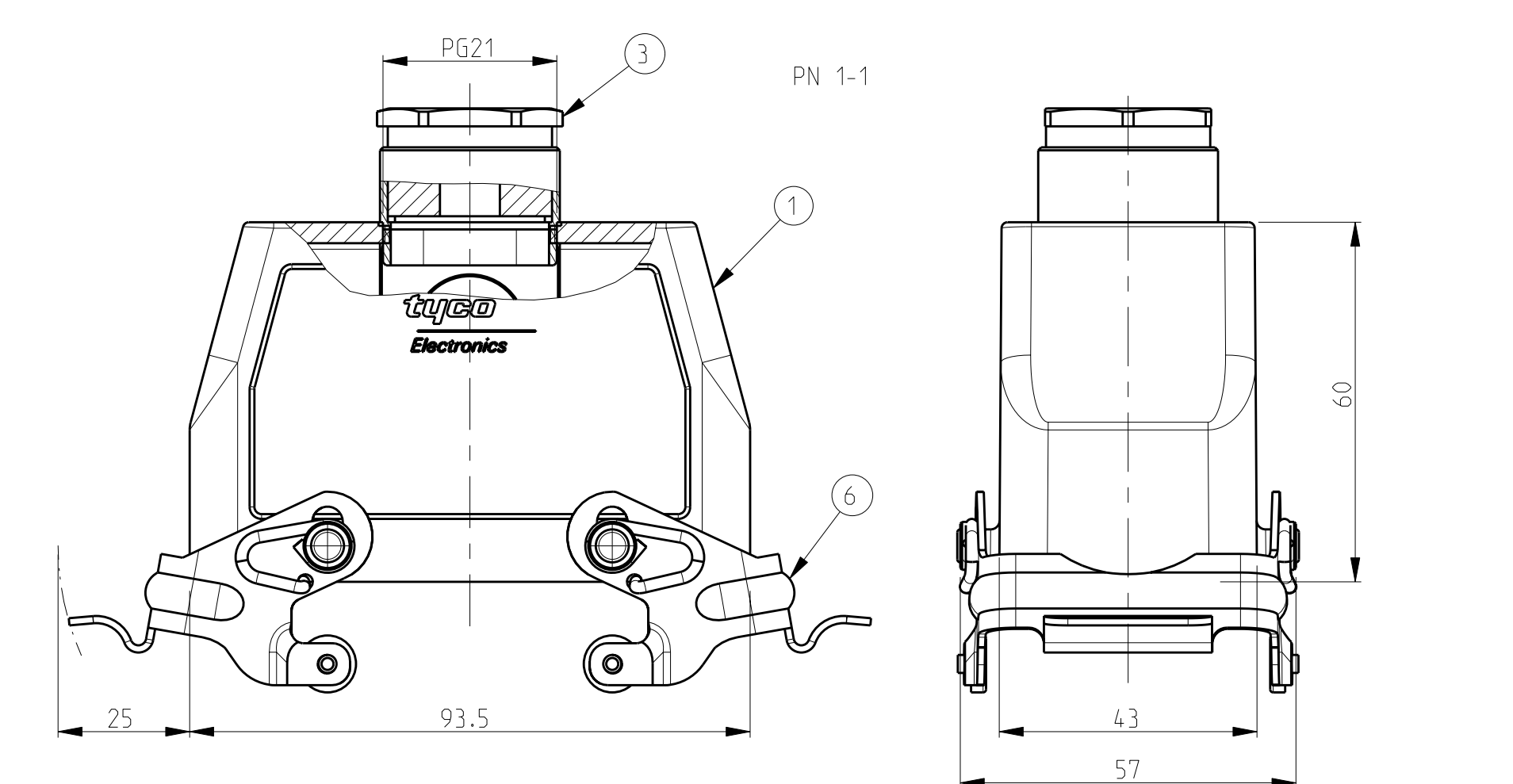
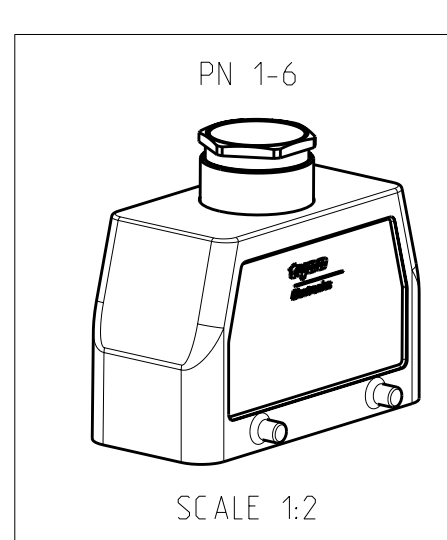


- NOTES
- Material: Housing: aluminium diecasting alloy
Seats: Neoprene
 - Surface:- Varnish grey
Aluminium oxide-Varnish Black
 - Varnish on the inside not necessary
 - Packaging
Packaging quantity 5 piece in a box



QTY	DESCRIPTION	MATERIAL	SURFACE	COLOR	ITEM NO	NOTES
2	LB-Clip bolt	Stainless steel			8	
2	LB-Clip bolt	Steel	Zinc plated	Blue	7	
2	VS-Locking clip	Steel	Zinc plated	Blue	6	
	VS-Clip bolt	Stainless steel			5	
	Gland fitting PG21	Brass	Zinc plated		4	
1	Cable connection round PG21	Brass	Zinc plated		3	
1	Hood HB.16 Pg.1.21	Aluminium	Aluminium oxide	Black	2	
1	Hood HB.16 Pg.1.21	Aluminium		Grey	1	

ORDERING TEXT
 HB.16.STO.1.21
 HB-K.16.STO.1.21
 HB.16.STO-VS.1.21
 HB.16.STO-GR.1.21

DIMENSIONS: mm 		TOLERANCES UNLESS OTHERWISE SPECIFIED: 0 - 1000 μm 1 - 100 μm 2 - 50 μm 3 - 20 μm 4 - 10 μm ANGLES ±		DWN: Schneider 16.01.03 CHK: Schwegler 16.01.03 APVD:		STE TE Connectivity	
MATERIAL:		FINISH:		PRODUCT SPEC: 10B-74001 10B-74003 APPLICATION SPEC: 114-74001 114-74004		NAME: Hood HB.16.STO	
WEIGHT:		CUSTOMER DRAW ING:		SIZE: A1 CAGE CODE: 00779 DRAWING NO: C=1102293		RESTRICTED TO:	
SCALE: 1:1		SHEET: 1 OF 1		REV: A4		DATE:	