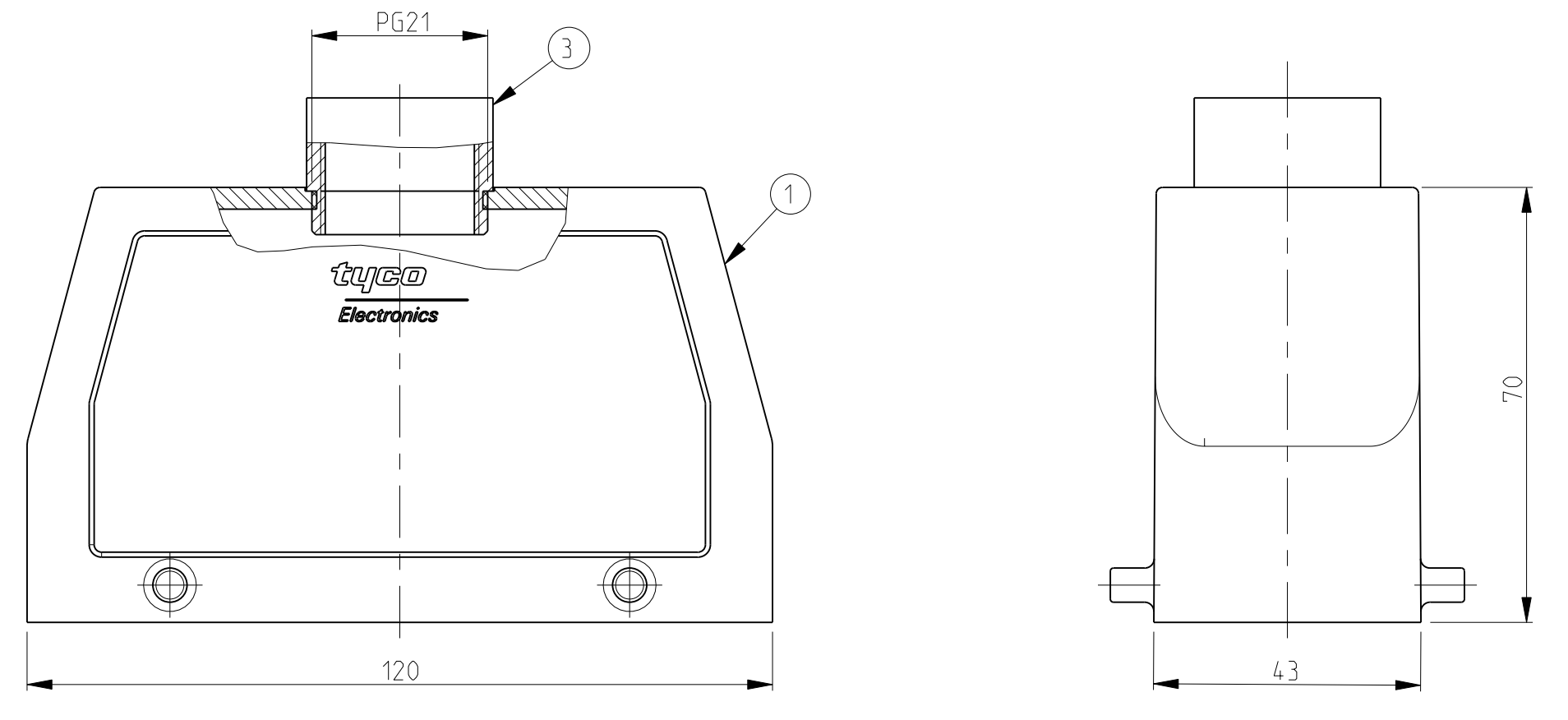
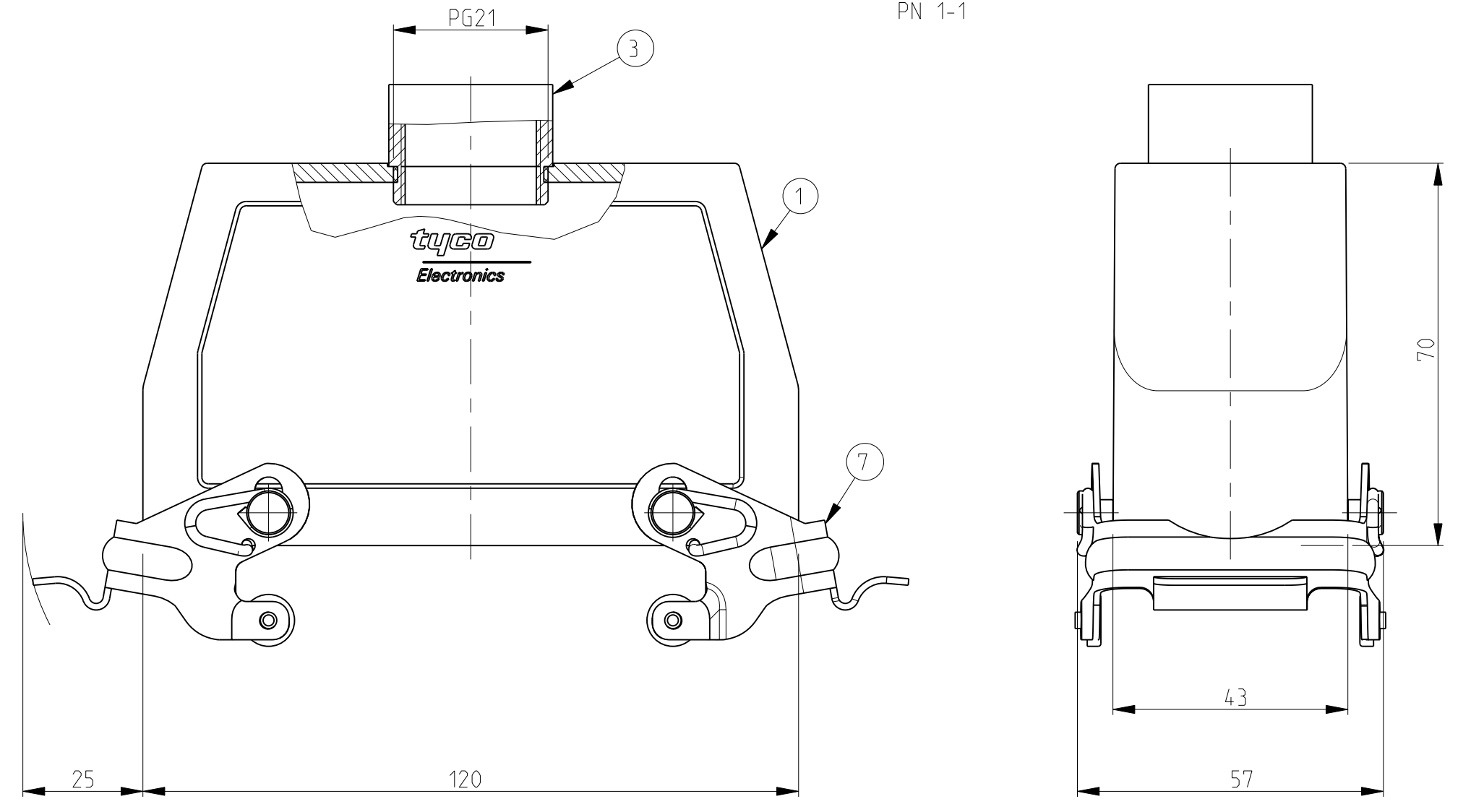


LOC	DIST	REVISIONS			
P	LTB	DESCRIPTION	DATE	DWN	APVD
A5		REVISED PER ECR-16-016768	24JAN2018	SRG	MKO
A6		ECR-17-013084	02APR18	SG	MKO

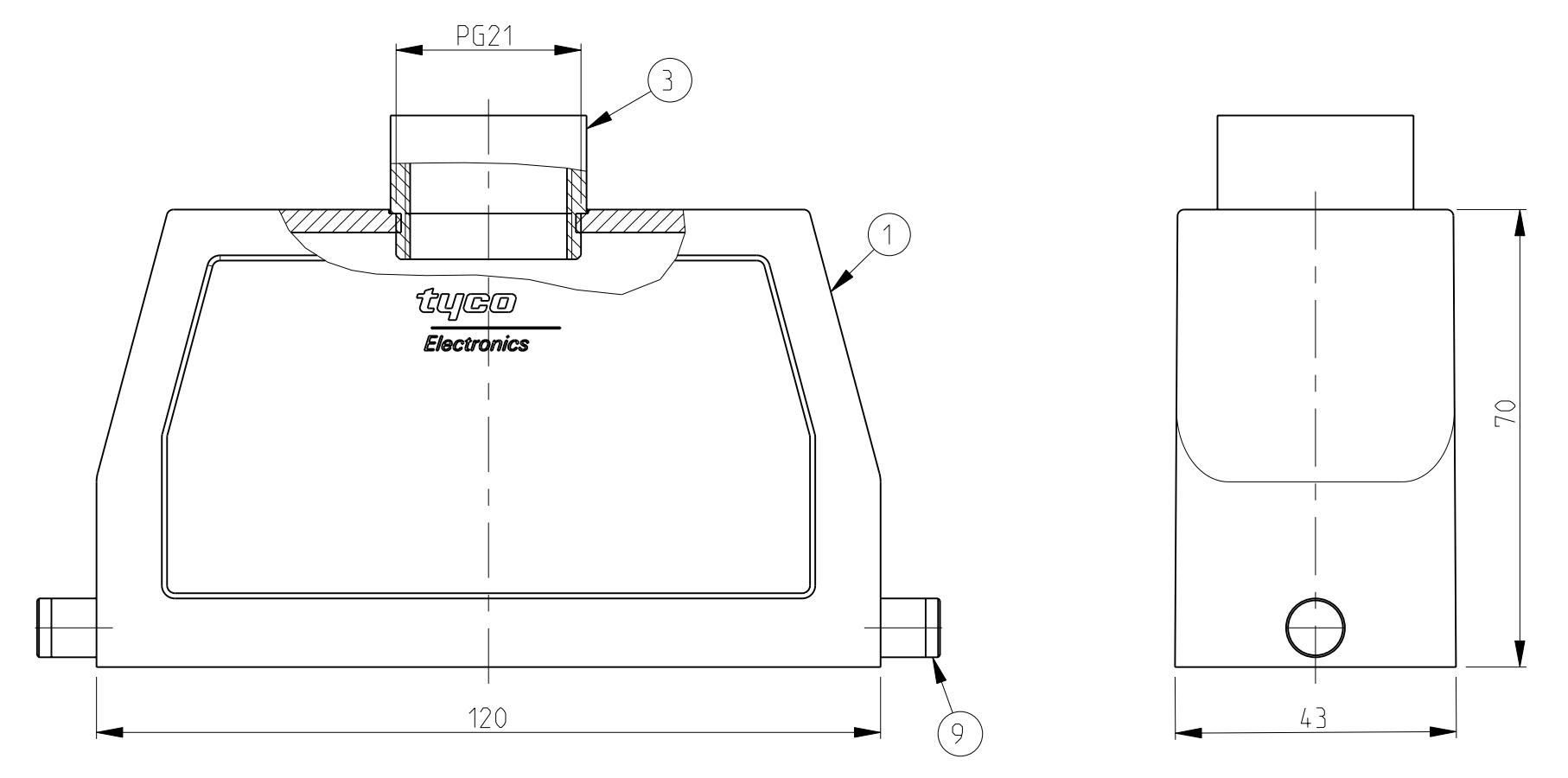
PN 1-6



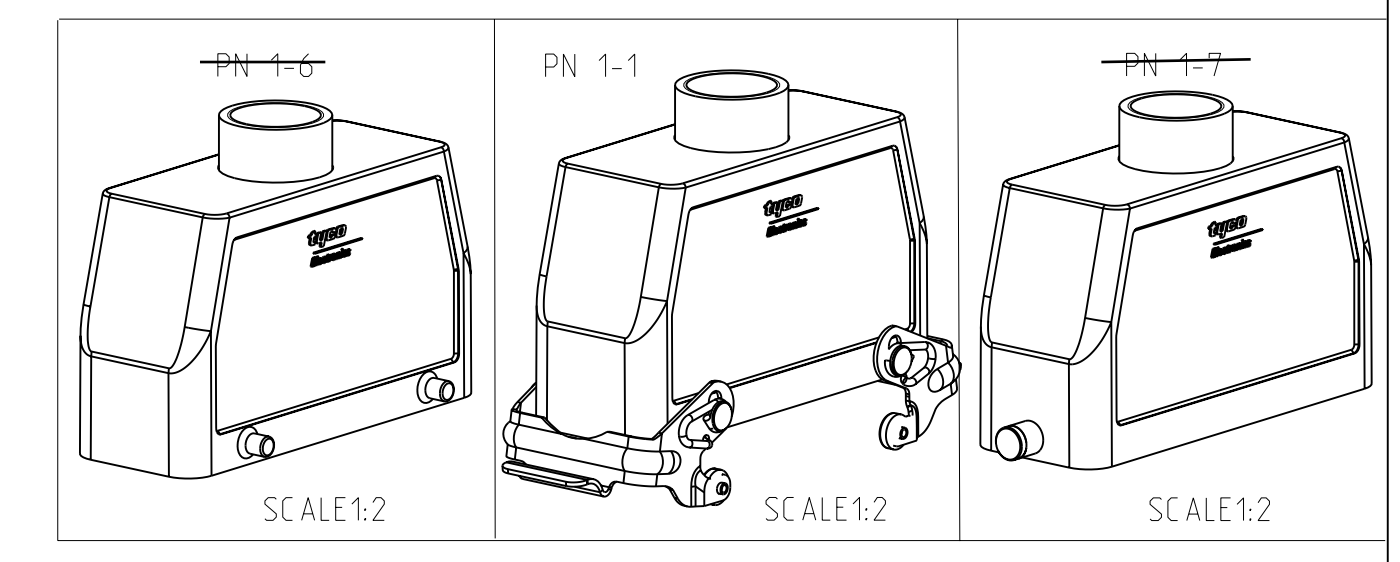
PN 1-1



PN 1-7



- NOTES.
- 1 Material:Housing:Aluminium Diecasting Alloy
 - 2 Surface:Varnish grey
 - 3 Varnish on the inside not necessary
 - 4 Packaging Quantity 5 Pieces in a box



QTY	DESCRIPTION	MATERIAL	SURFACE	COLOR	ITEM NO	REMARKS
1	ZB Central clip	Stainless steel	-	-	12	
1	ZB Central clip	Steel	Zinc plated	Blue	11	
2	LB Clip bolt	Stainless steel	-	-	10	
2	LB Clip bolt	Steel	Zinc plated	Blue	9	
2	VS Locking clip	Stainless steel	-	-	8	
2	VS Locking clip	Steel	Zinc plated	Blue	7	
4	VS Clip bolt	Stainless steel	-	-	6	
1	O-Ring Pg21	Neoprene	-	Black	5	
1	Intermediate connecting piece 6kt Pg21	Brass	Nickel plated	-	4	
1	Intermediate connecting piece Pg21	Brass	Nickel plated	-	3	
1	HB Hood .24.Sto.1.21.Z	Aluminium	Aluminium oxide	Black	2	
1	HB Hood .24.Sto.1.21.Z	Aluminium	-	Grey	1	
2-3	DESCRIPTION	MATERIAL	SURFACE	COLOR	ITEM NO	REMARKS
1-3	ORDERING TEXT					
2-7	HB.24.Sto.1.21.Z					
1-7	HB-K.24.Sto.1.21.Z					
2-1	HB.24.Sto-VS.1.21.Z					
1-6	HB.24.Sto-GR.1.21.Z					
1-6	HB-K.Z.24.Sto-ZB.1.21.Z					

<p>THIS DRAWING IS UNPUBLISHED. RELEASED FOR PUBLICATION 1997 BY TYCO ELECTRONICS CORPORATION, ALL RIGHTS RESERVED.</p> <p>DATE: 12.11.1997 DWN: Schneider CHK: Schweiger APVD: -</p>	<p>12.11.1997 30.06.98</p>	<p>STE TE Connectivity</p> <p>NAME: Hood HB.24.Sto.1.21.Z</p>
<p>DIMENSIONS: mm</p> <p>TOLERANCES UNLESS OTHERWISE SPECIFIED:</p> <p>0 / MIN / MAX</p> <p>1 / PLC / ±</p> <p>2 / PLC / ±</p> <p>3 / PLC / ±</p> <p>4 / PCC / ±</p> <p>ANGLES / ±</p> <p>MATERIAL / FINISH</p>	<p>PRODUCT SPEC: 108-74001</p> <p>APPLICATION SPEC: 114-74001</p> <p>WEIGHT: -</p>	<p>SIZE: A 00779</p> <p>CAGE CODE: C=1102324</p> <p>DRAWING NO: -</p> <p>RESTRICTED TO: -</p> <p>SCALE: 1:1 SHEET: 1 OF 1 REV: A6</p>