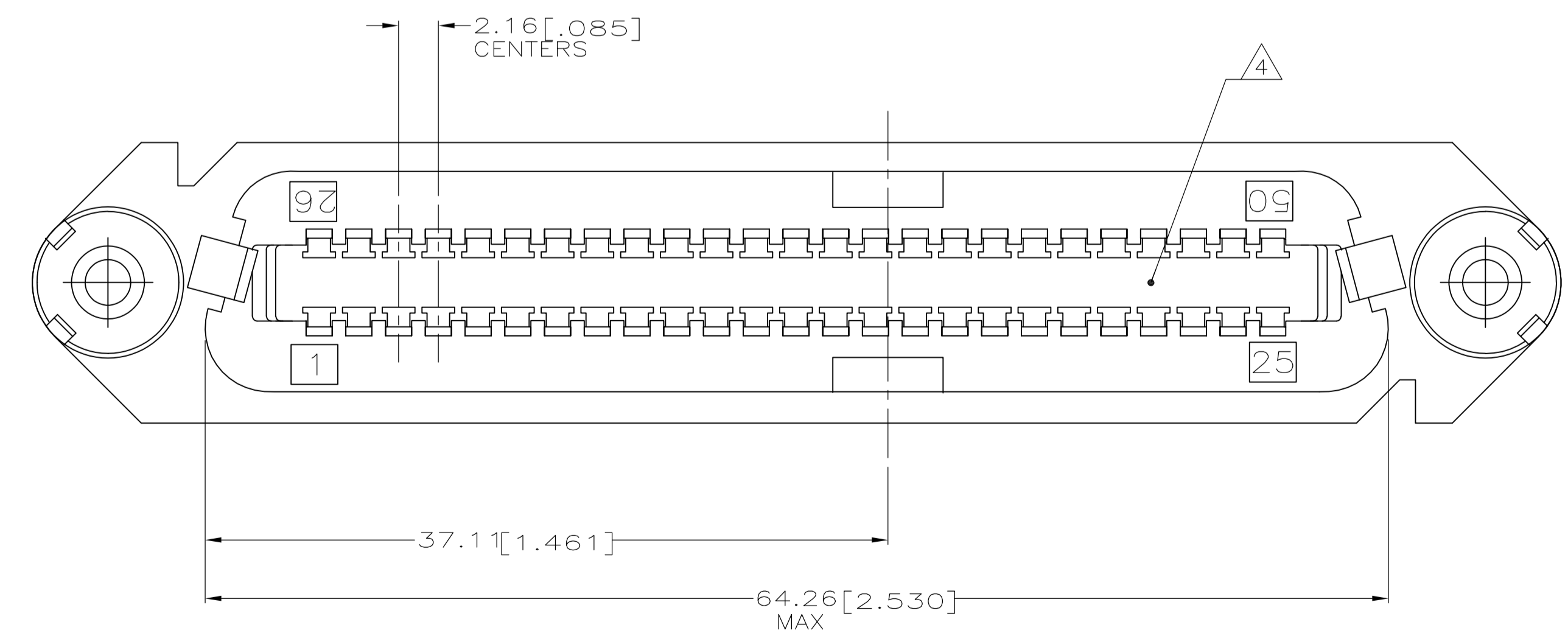
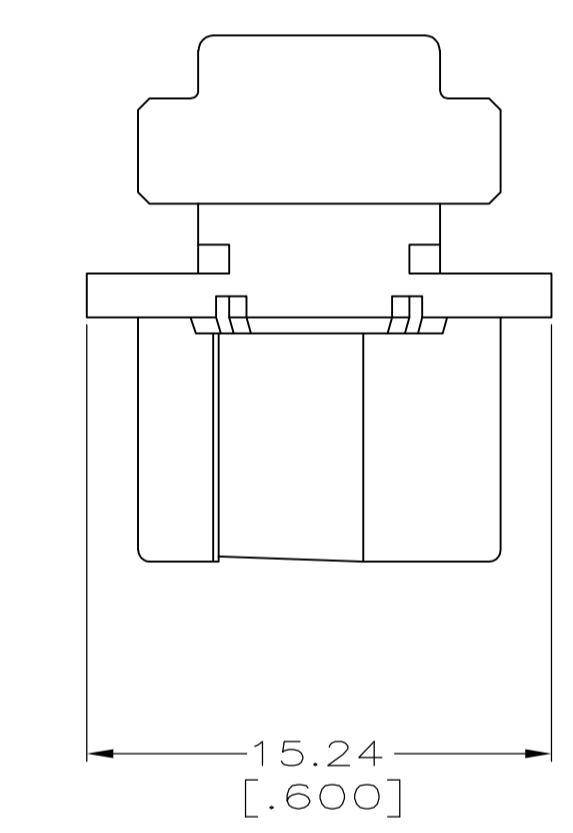
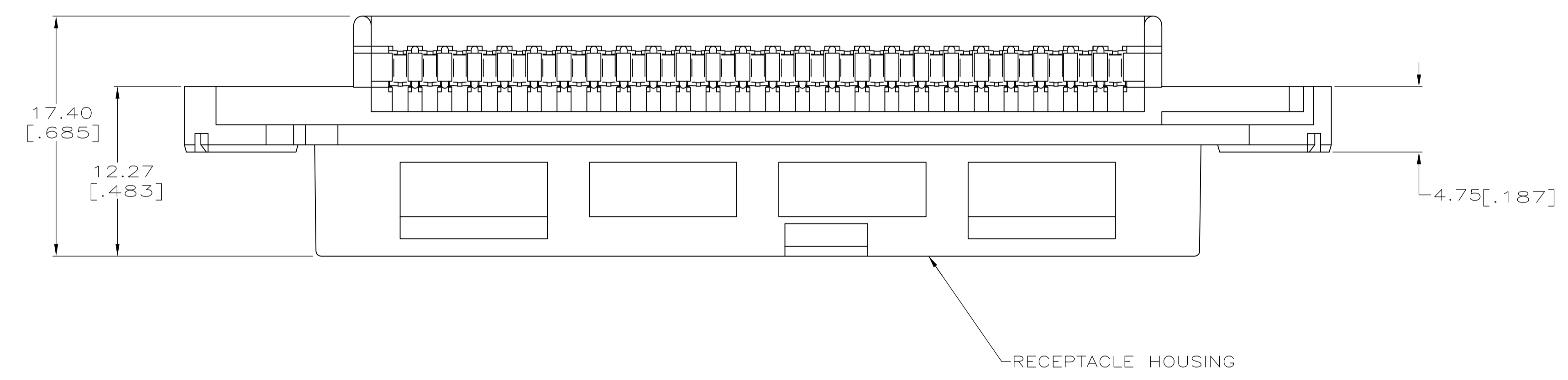
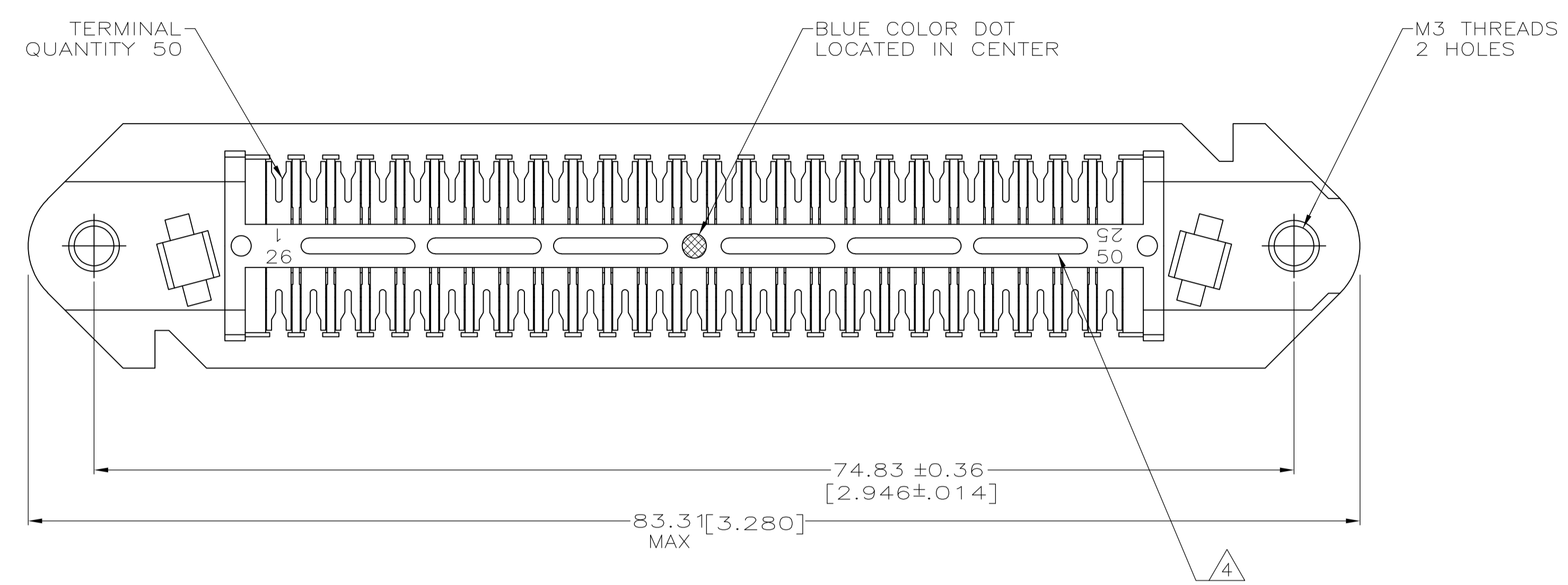


LOC		DIST		REVISIONS			
GP	00	REV	DATE	BY	CHK	APPV	
C		REVISED PER ECO-08-007327	05SEP08	BM	WM		

1. THE CONTACT SURFACES OF THE TERMINALS ARE COATED WITH LUBRICANT.
2. DIMENSIONS ARE MAXIMUM UNLESS OTHERWISE SPECIFIED.
3. MATERIAL: HOUSING - POLYPHENYLENE OXIDE, BLACK. TERMINAL - HIGH STRENGTH COPPER ALLOY PLATED WITH $0.76\mu\text{m}$ [.000030] MIN GOLD OR GOLD FLASH OVER PALLADIUM NICKEL PLATE, $0.76\mu\text{m}$ [.000030] MIN TOTAL ON MATING SURFACE, OVER $1.27\mu\text{m}$ [.000050] MIN NICKEL PLATING.
4. CORING MAY OR MAY NOT APPEAR AND IS AT THE DISCRETION OF AMP INCORPORATED.
5. WIRE SIZE: 24 & 26 AWG SOLID & 24 AWG 7 STRAND COPPER CONDUCTORS. MAXIMUM INSULATION DIAMETER OF 1.15 [.045] IS ACCEPTABLE FOR MOST APPLICATIONS.



1116550-1
PART NUMBER

THIS DRAWING IS A CONTROLLED DOCUMENT.		DIN DL DRUMMOND 19-MAR-99	Tyco Electronics Corporation Harrisburg, PA 17105-3608	
DIMENSIONS: mm [INCHES]		CHK DL DRUMMOND 22-MAR-99	NAME AM FLETCHER	
TOLERANCES UNLESS OTHERWISE SPECIFIED:		PRODUCT SPEC		
0. PLC ± -		APPLICATION SPEC		
1. PLC ± -		SIZE A1		
2. PLC ± -		CAGE CODE 00779		
3. PLC ± -		DRAWING NO. 1116550		
4. PLC ± -		RESTRICTED TO		
ANGLES ± -		WEIGHT		
MATERIAL		CUSTOMER DRAWING		
FINISH		SCALE 4:1 SHEET 1 OF 1 REV C		