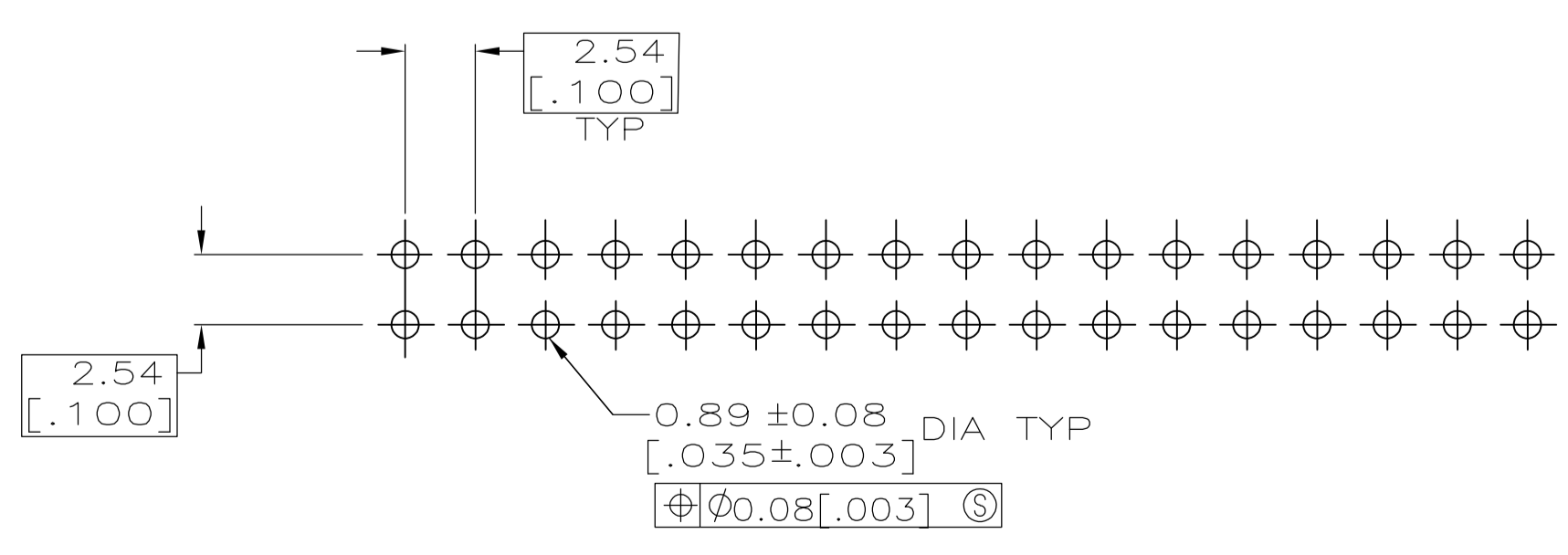
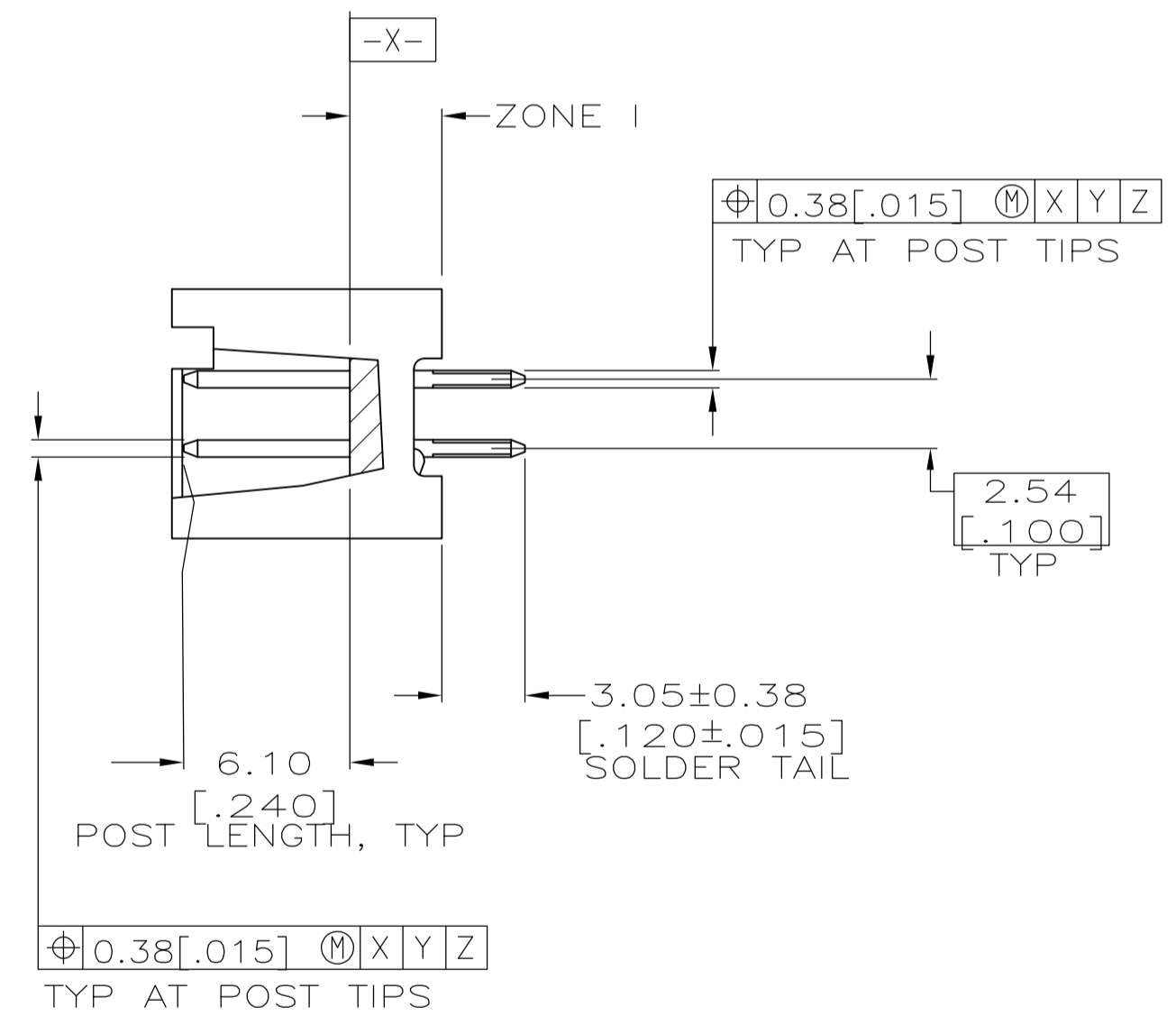
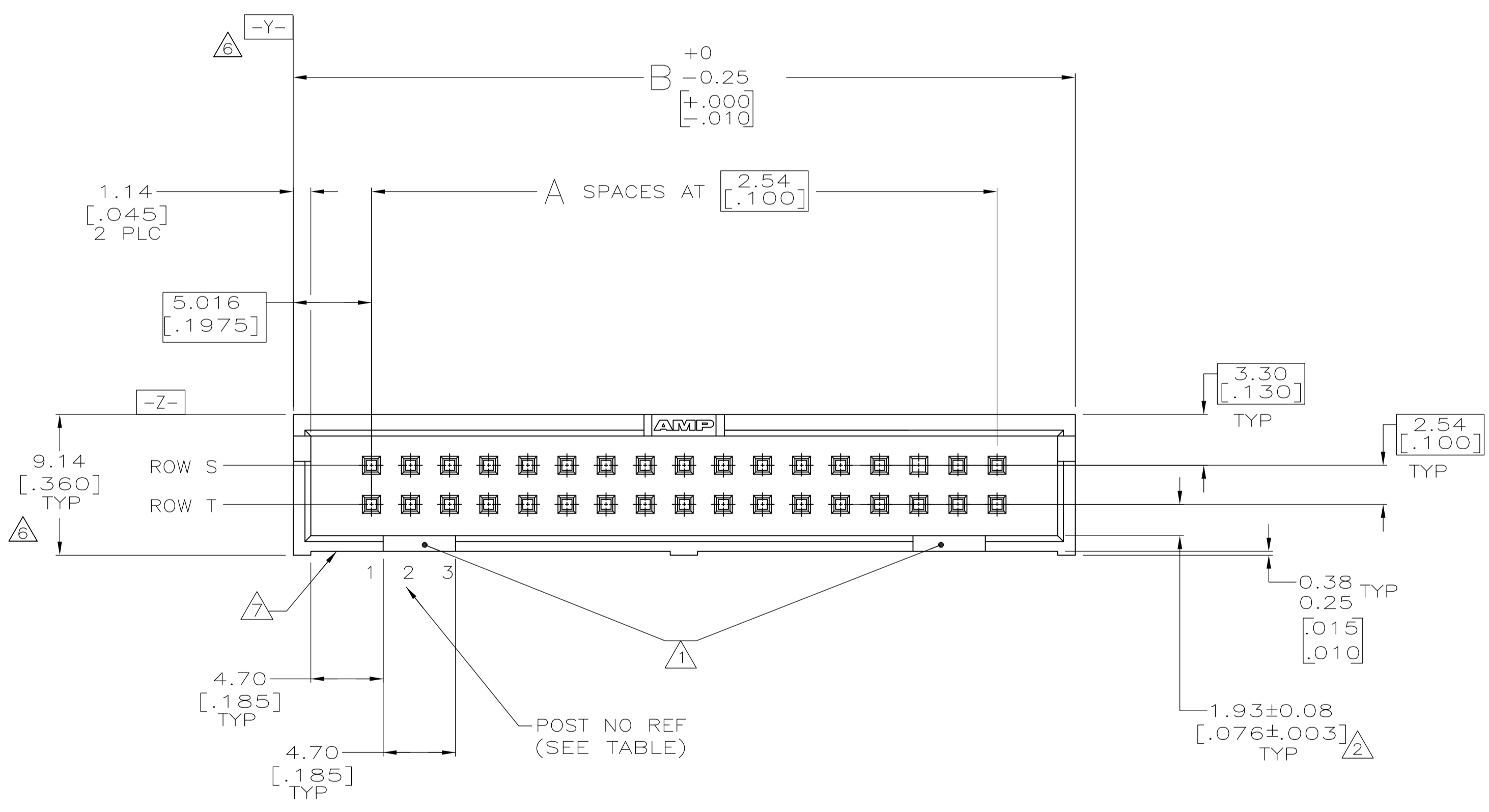


- ⚠️ DOUBLE BAR POLARIZATION.
- ⚠️ DIMENSION APPLIES AT THE INTERSECTION OF THE POST AND HOUSING.
- ⚠️ CENTER POLARIZATION SLOT.
- ⚠️ HOUSING: GLASS FILLED NYLON OR PBT, BLACK, UL 94V-0 RATED. POSTS: BRASS.
- ⚠️ POSTS: GOLD FLASH OVER PALLADIUM-NICKEL PLATE, 0.38μm [.000015] MIN TOTAL ON THE MATING SURFACES, 2.54μm [.000100] MIN TIN-LEAD PLATE ON THE SOLDER-TAILS, 1.27μm [.000050] MIN NICKEL UNDERPLATE ON THE ENTIRE POST.
-OR-
0.38μm [.000015] MIN GOLD PLATE ON THE MATING SURFACES, 2.54μm [.000100] MIN TIN-LEAD PLATE ON THE SOLDER-TAILS, 1.27μm [.000050] MIN NICKEL UNDERPLATE ON THE ENTIRE POST.
- ⚠️ DATUM Y AND Z APPLY ONLY IN ZONE 1.
- ⚠️ OPTIONAL AMP IDENTIFICATION NUMBER (DATE CODE). LOCATION APPROXIMATELY WHERE SHOWN.
- ⚠️ OBSOLETE



4,22	4,13,22	71.12 [2.800]	24	50	1-111825-0
NONE	15	50.80 [2.000]	16	34	111825-7
ROW T	ROW S				
POST OMITTED LOCATION	B	A	NO OF POSN	PART NUMBER	

THIS DRAWING IS A CONTROLLED DOCUMENT.		DIN	12/14/93	Tyco Electronics Corporation Harrisburg, PA 17105-3608	
DIMENSIONS: mm [INCHES]		CHK	12/15/93	NAME	
TOLERANCES UNLESS OTHERWISE SPECIFIED:		APP'D	12/17/93	D. KELLER	
0 PLC	± -	PRODUCT SPEC		108-40018	
1 PLC	± -	APPLICATION SPEC		-	
2 PLC	± 0.13 [.005]	SIZE	CAGE CODE	DRAWING NO	RESTRICTED TO
3 PLC	± -	WEIGHT	A1	00779	111825
4 PLC	± -	CUSTOMER DRAWING		SCALE	4:1
ANGLES	± -	SHEET		1	OF 1
		REV		K	