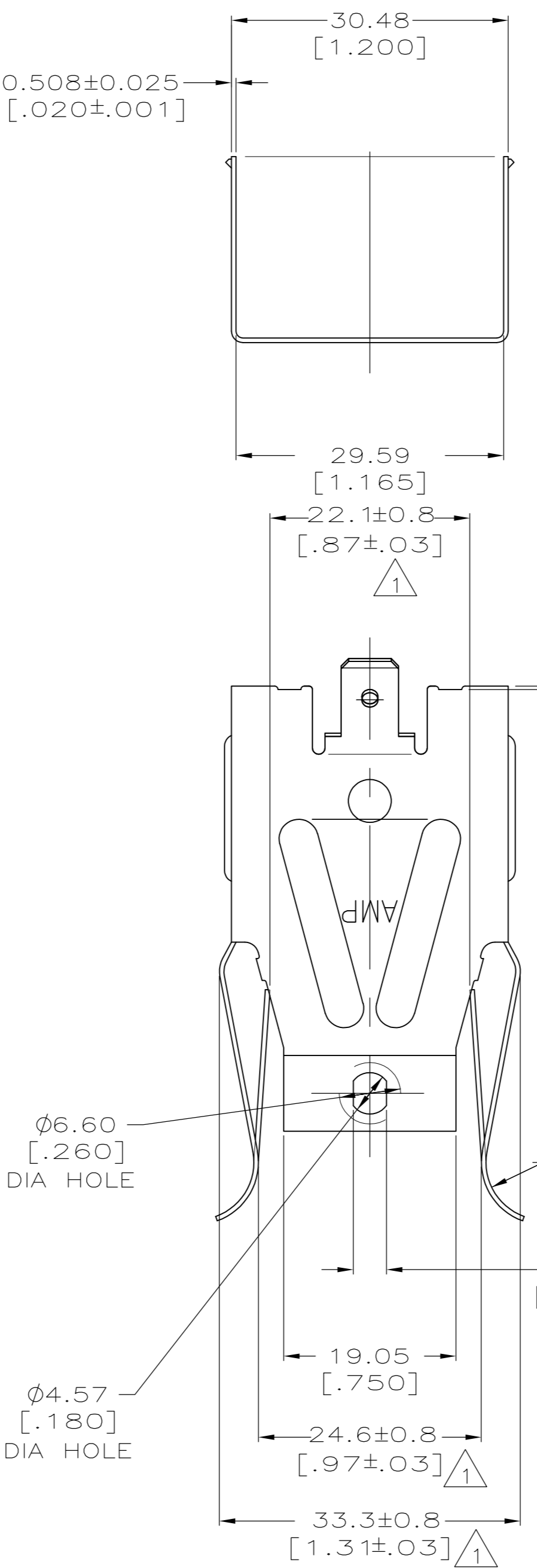
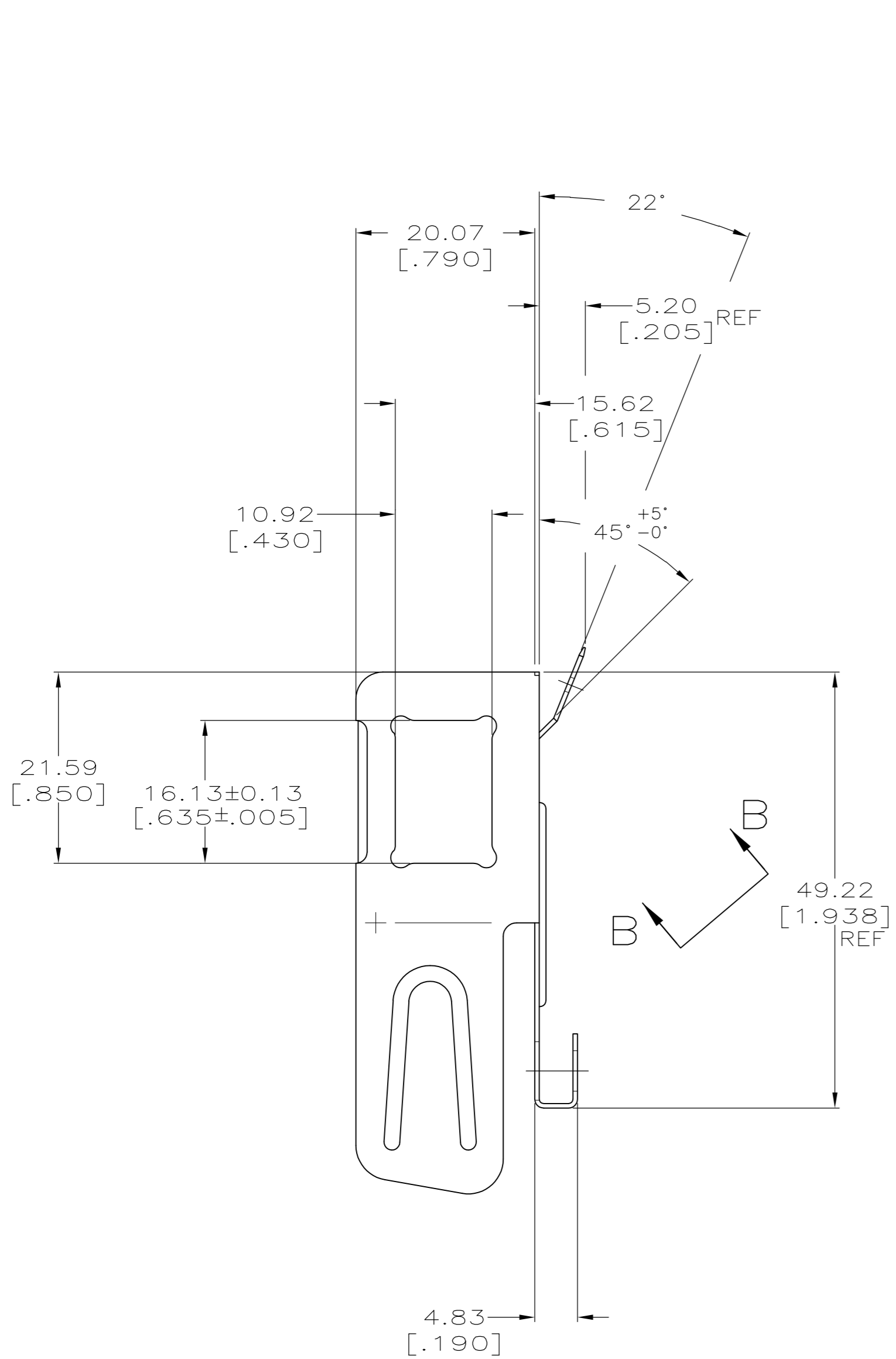
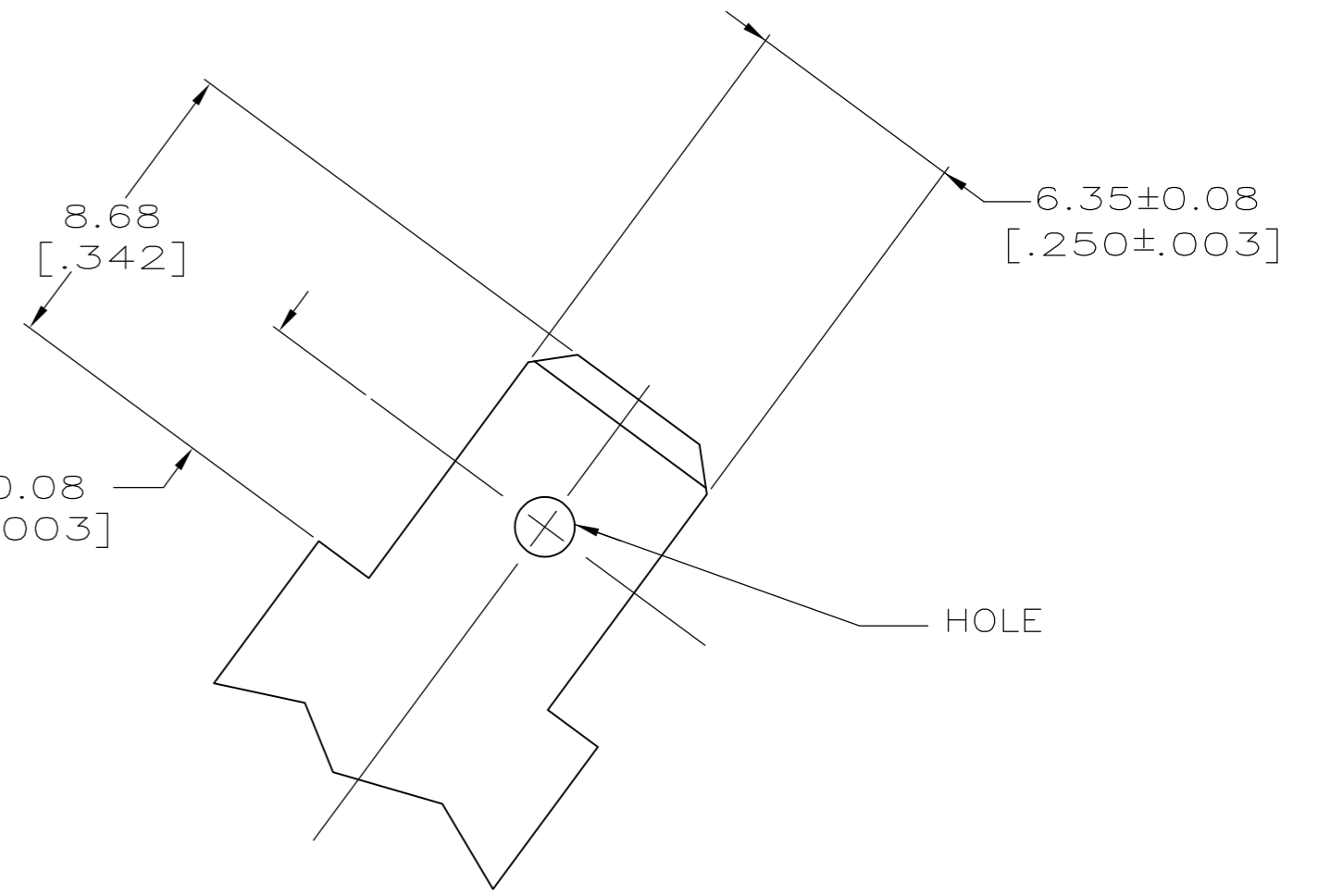


THIS DRAWING IS UNPUBLISHED. RELEASED FOR PUBLICATION
 © COPYRIGHT BY TYCO ELECTRONICS CORPORATION. ALL RIGHTS RESERVED.

LOC	DIST	REVISIONS			
P	LTR	DESCRIPTION	DATE	DWN	APVD
AF	50	B2	REVISED PER ECR-08-012911	22MAY08	HMR GJ
		B3	REVISED PER ECR-15-017388	08DEC15	JJ TD



- 1 DIMENSIONS TO BE CHECKED WHEN SIDES ARE PARALLEL WITH 30.61 [1.205] DIMENSION.
- 2 FOR 6.35 [.250] SERIES POSITIVE LOCK RECEPTACLE.
- 3 REDUCED PACKAGE QUANTITY.
- 4 PRELIMINARY - NOT FOR PRODUCTION.
- 5 SUPERSEDED BY 1217836-1.



VIEW B-B
SCALE 5:1 (triangle 2)

Ø6.60 [.260] DIA HOLE
 Ø4.57 [.180] DIA HOLE

3	4	1217108-2
5	OBSOLETE	1217108-1
PART NUMBER		

THIS DRAWING IS A CONTROLLED DOCUMENT.		DWN 17SEP98 PHILLIP M FORTNEY	Tyco Electronics Corporation Harrisburg, PA 17105-3608	
DIMENSIONS: mm [INCHES]		CHK 17SEP98 JEFF R RUTH	NAME JEREMY DUNCAN	
TOLERANCES UNLESS OTHERWISE SPECIFIED:		APVD 17SEP98 JEREMY DUNCAN	PRODUCT SPEC	
0 PLC ± -		APPLICATION SPEC		
1 PLC ± -		114-1028		
2 PLC ± 0.25 [.010]		WEIGHT -		
3 PLC ± -		SIZE A2 CAGE CODE 00779 C=1217108		
4 PLC ± -		DRAWING NO 114-1028		
ANGLES ± -		RESTRICTED TO -		
FINISH -		SCALE 2:1 SHEET 1 OF 1 REV B3		
MATERIAL 1/4 HD SST		CUSTOMER DRAWING		