

THIS DRAWING IS UNPUBLISHED.

RELEASED FOR PUBLICATION

ALL RIGHTS RESERVED.

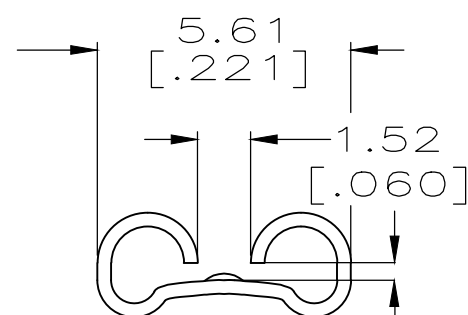
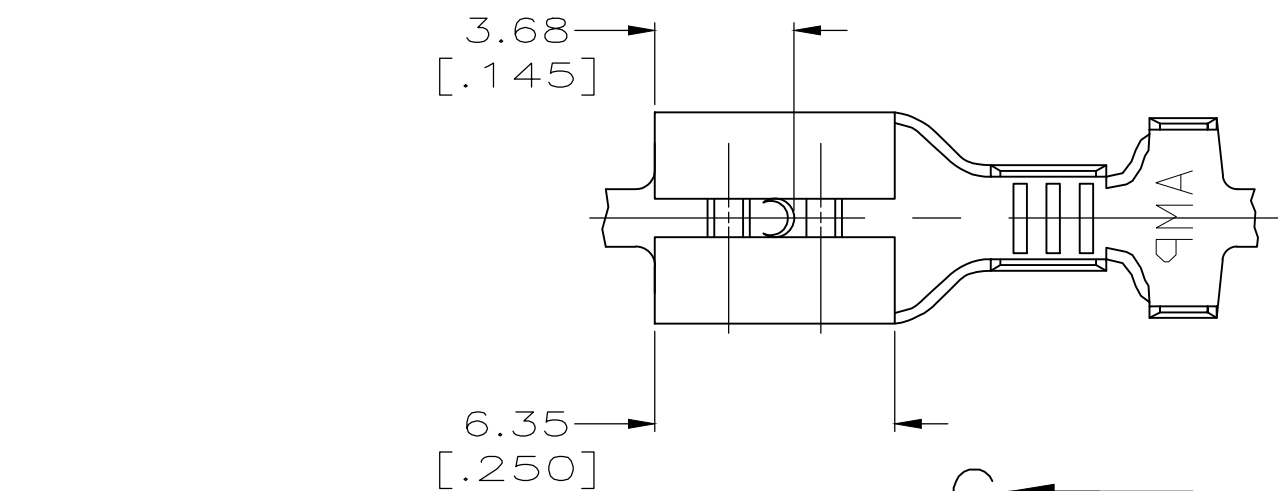
© COPYRIGHT - By -

LOC AF DIST 50

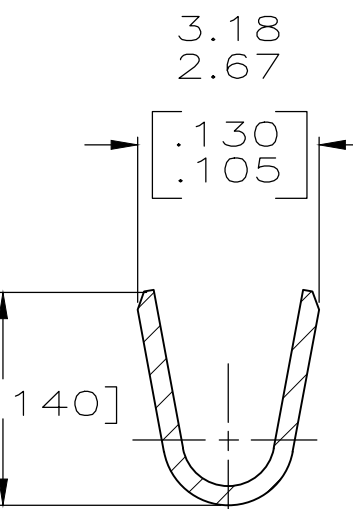
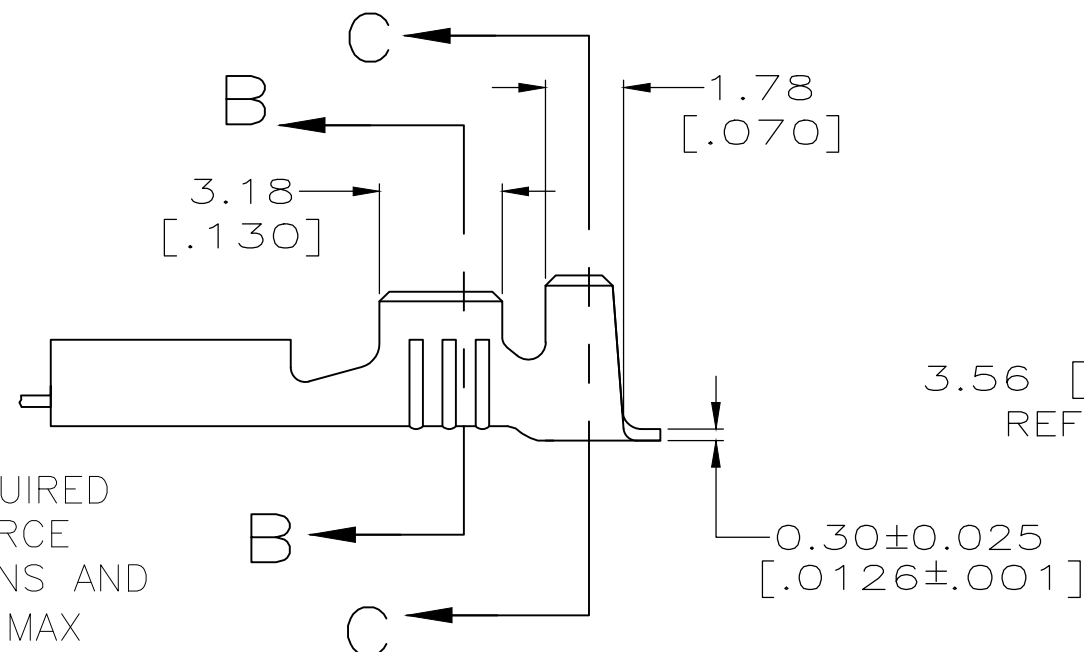
REVISIONS

P	LTR	DESCRIPTION	DATE	DWN	APVD
C1		REVISED PER ECR-20-009164	23JUL2020	MK	DH

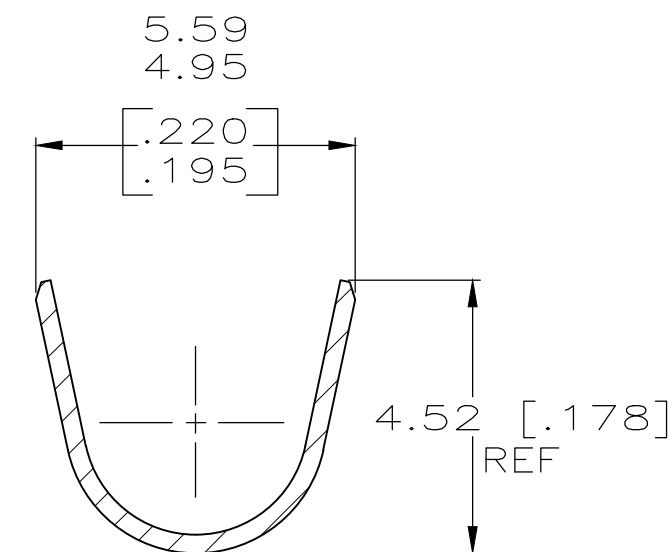
- 1 CONTINUOUS STRIP ON REELS.
- 2 WIRE SIZE IS [#18-#14] AWG.
- 3 INSULATION RANGE IS 2.79-4.06 [.110-.160] DIA.
- 4 MATING TAB THK IS 0.53-0.48 [.021-.019].



GAP AS REQUIRED TO MEET FORCE SPECIFICATIONS AND 0.45 [.018] MAX


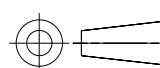


SECTION B-B
SCALE 8:1



SECTION C-C
SCALE 8:1

1217149-1
PART NO.

THIS DRAWING IS A CONTROLLED DOCUMENT.		DWN JR RUTH 6MAY99	 TE Connectivity		
DIMENSIONS: mm [INCHES] TOLERANCES UNLESS OTHERWISE SPECIFIED: 0 PLC ± - 1 PLC ± - 2 PLC ± 0.25 [.010] 3 PLC ± - 4 PLC ± - ANGLES ± -		CHK MS FEHER 6MAY99			
 MATERIAL BRASS FINISH TIN		APVD S HEADER 6MAY99	PRODUCT SPEC - APPLICATION SPEC - WEIGHT - SIZE A3 CAGE CODE 00779 DRAWING NO C-1217149 RESTRICTED TO -		
		CUSTOMER DRAWING			