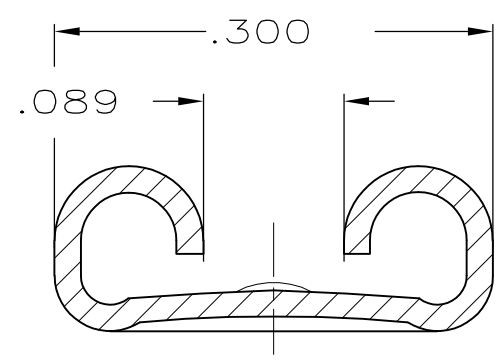
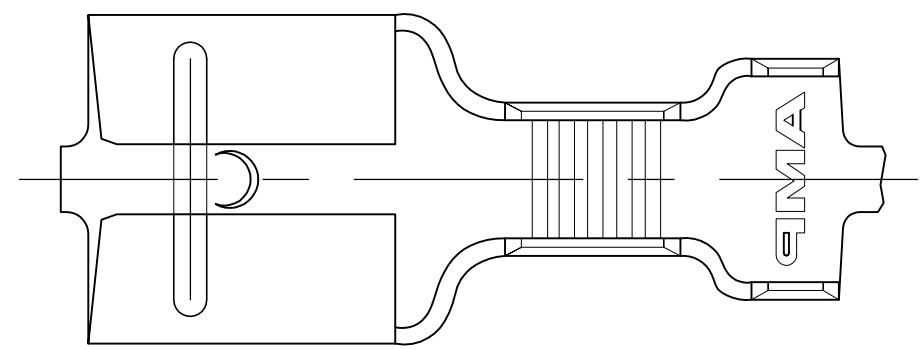


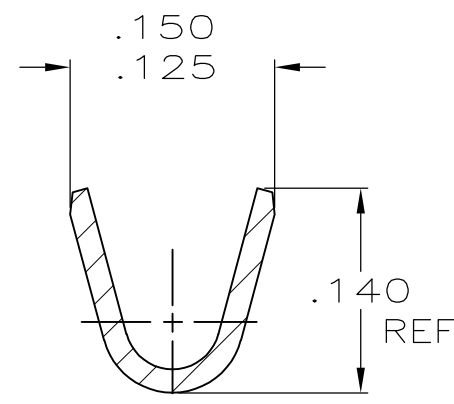
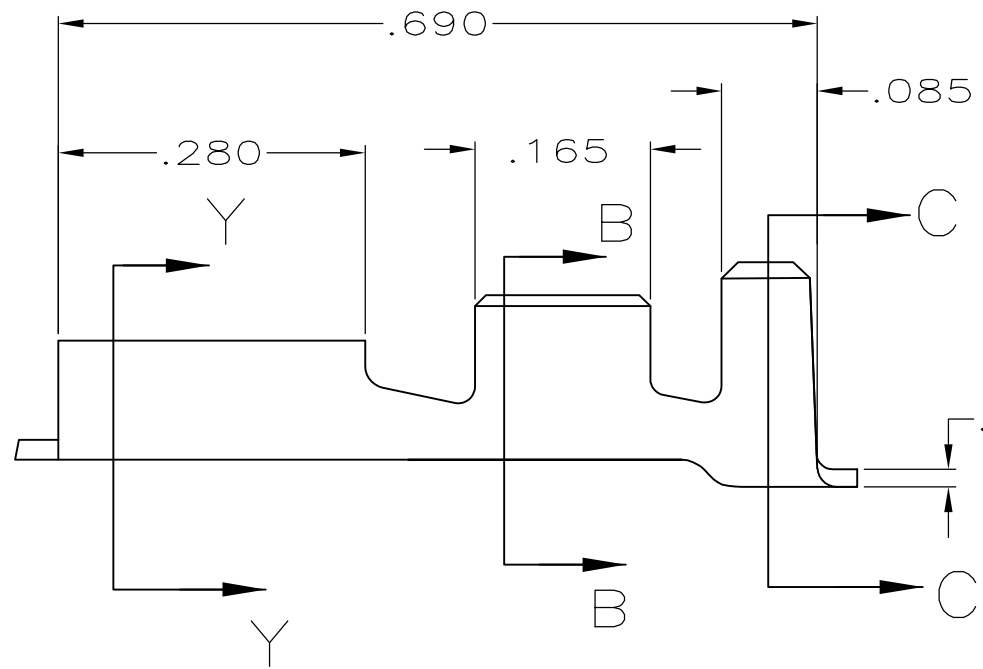
THIS DRAWING IS UNPUBLISHED. RELEASED FOR PUBLICATION  
 © COPYRIGHT - By TYCO ELECTRONICS CORPORATION. ALL RIGHTS RESERVED.

LOC	DIST	REVISIONS			
P	LTR	DESCRIPTION	DATE	DWN	APVD
AF	50	C	REVISE PER ECR-13-013738	15FEB2014	GRZ JL

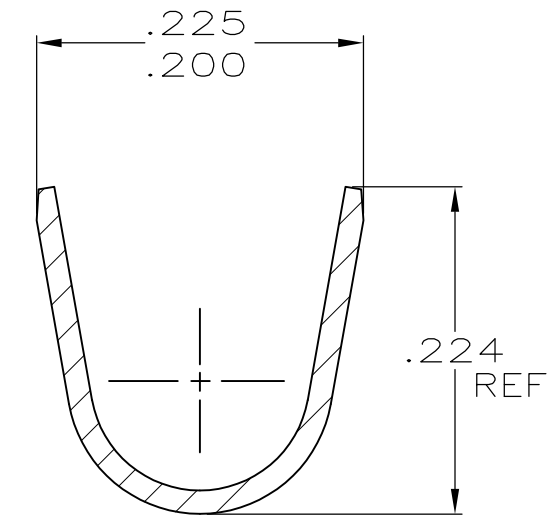
- 1 CONTINUOUS STRIP ON REELS
- 2 MATING TAB THK IS  $.032 \pm .001$
- 3 WIRE SIZE IS 18-14 OR TWO #19'S.
- 4 INSULATION RANGE IS  $.120 - .170$  DIA.



SECTION Y-Y  
SCALE 8:1


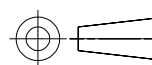


SECTION B-B  
SCALE 8:1



SECTION C-C  
SCALE 8:1

1217835-1  
PART NO.

THIS DRAWING IS A CONTROLLED DOCUMENT.		DWN	JR RUTH	10MAY02	 <b>TE Connectivity</b>
DIMENSIONS: INCHES		CHK	P DESANTIS	10MAY02	
		APVD	P DESANTIS	10MAY02	
TOLERANCES UNLESS OTHERWISE SPECIFIED:		PRODUCT SPEC	-		
MATERIAL: BRASS		FINISH	-		NAME: RECEPTACLE, FASTON, AMPLIVAR, 250 SERIES
-		FINISH	-		SIZE: A3
-		FINISH	-		CAGE CODE: 00779
-		FINISH	-		DRAWING NO: C-1217835
-		FINISH	-		RESTRICTED TO: -
-		FINISH	-		SCALE: 6:1
-		FINISH	-		SHEET: 1 OF 1
-		FINISH	-		REV: C
-		FINISH	-		CUSTOMER DRAWING