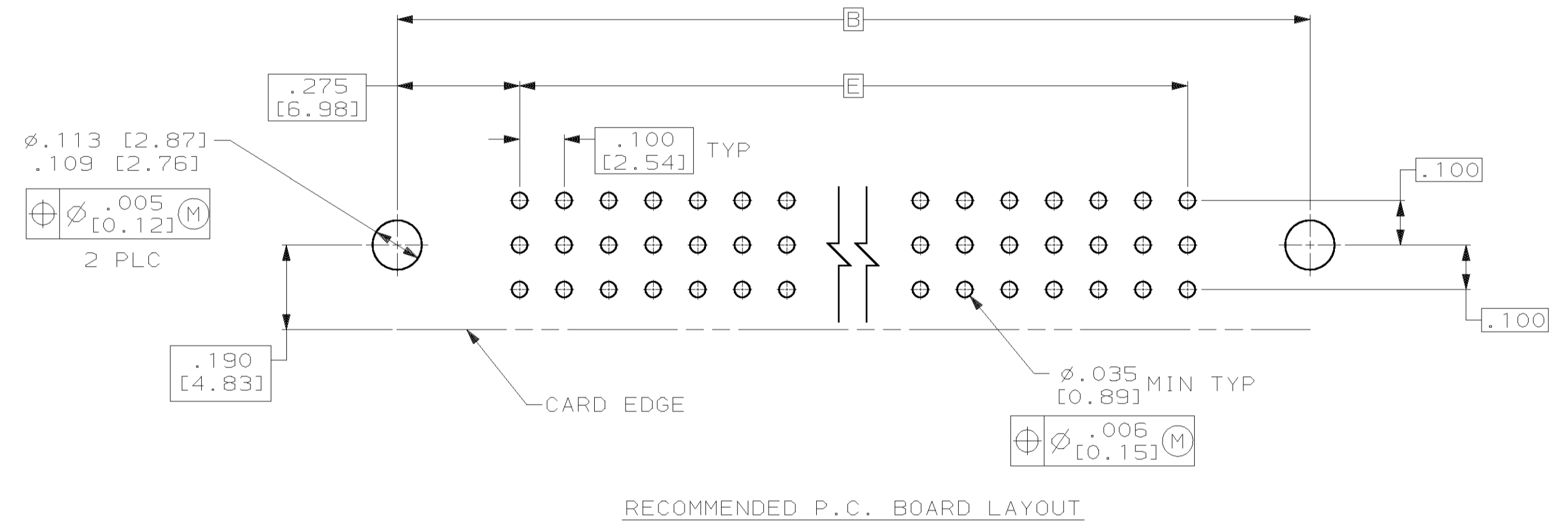
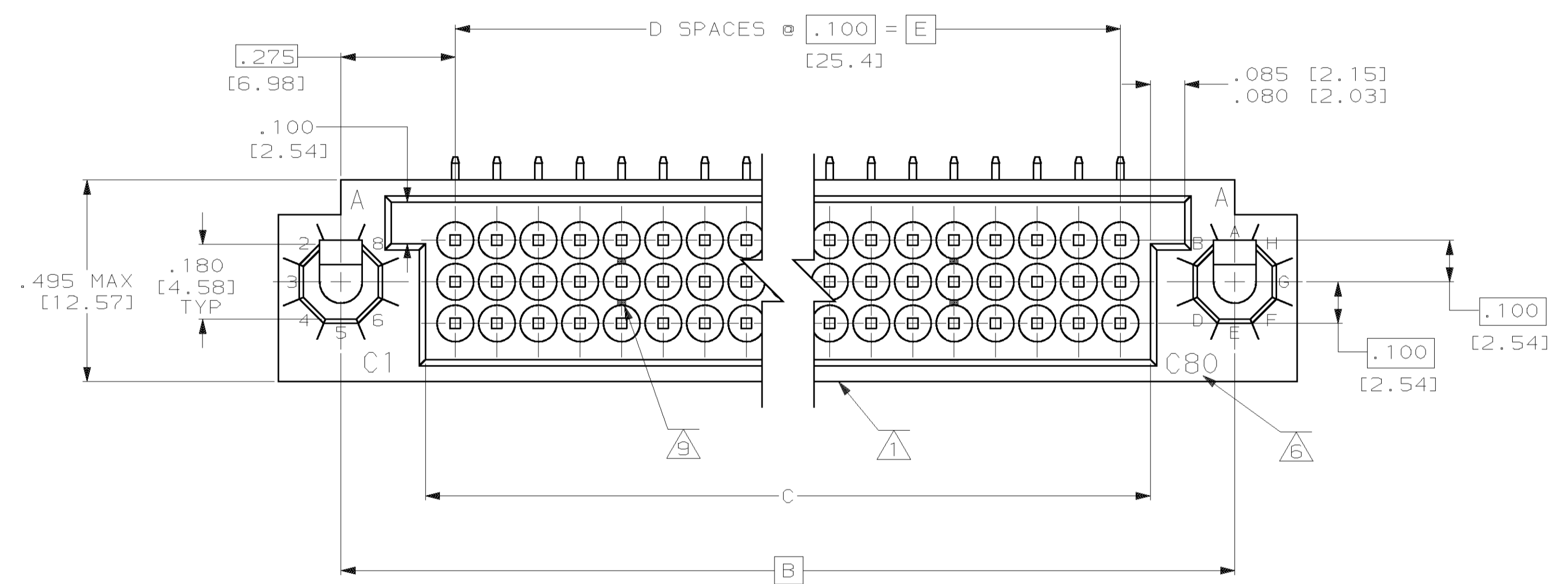
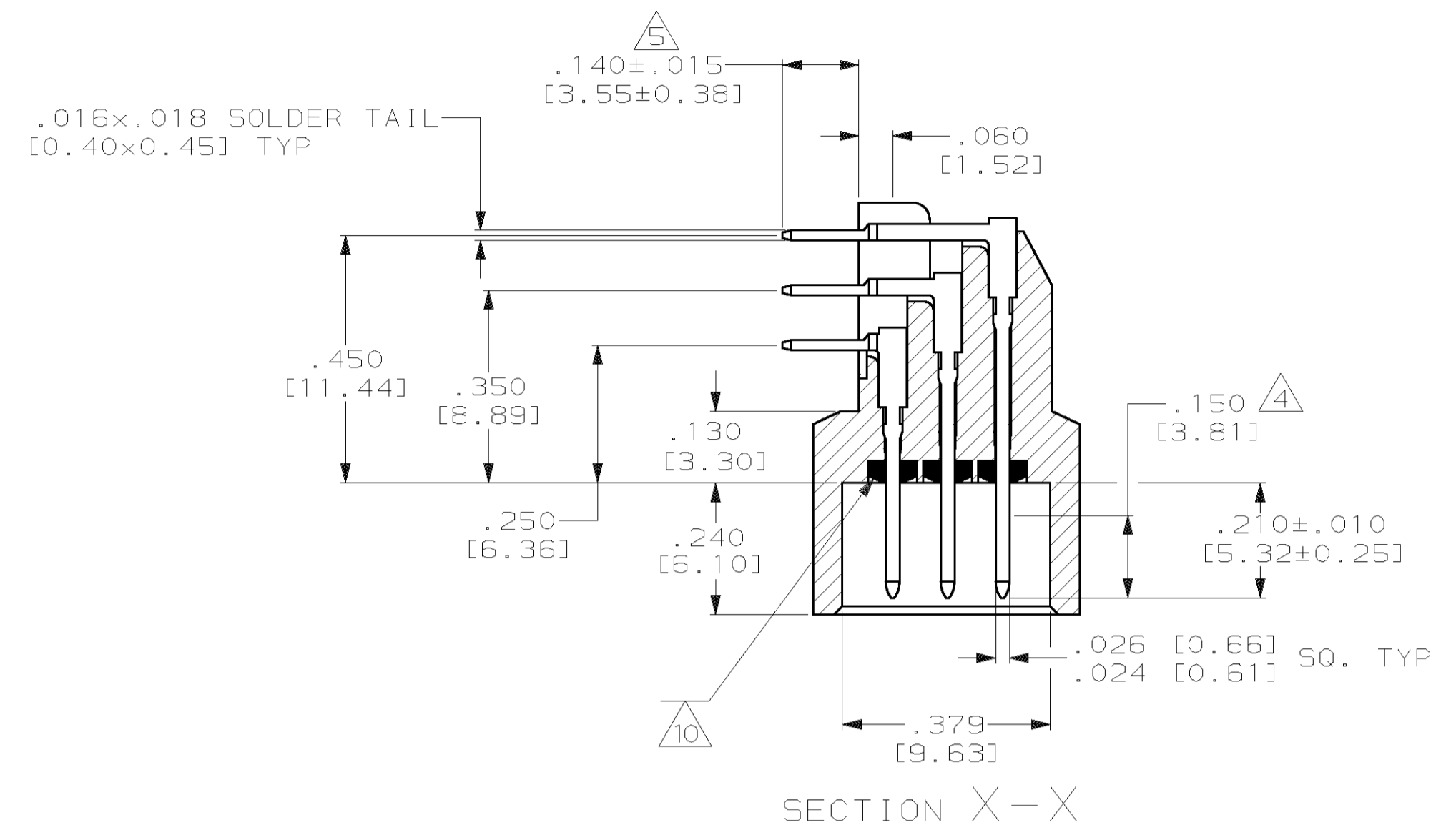
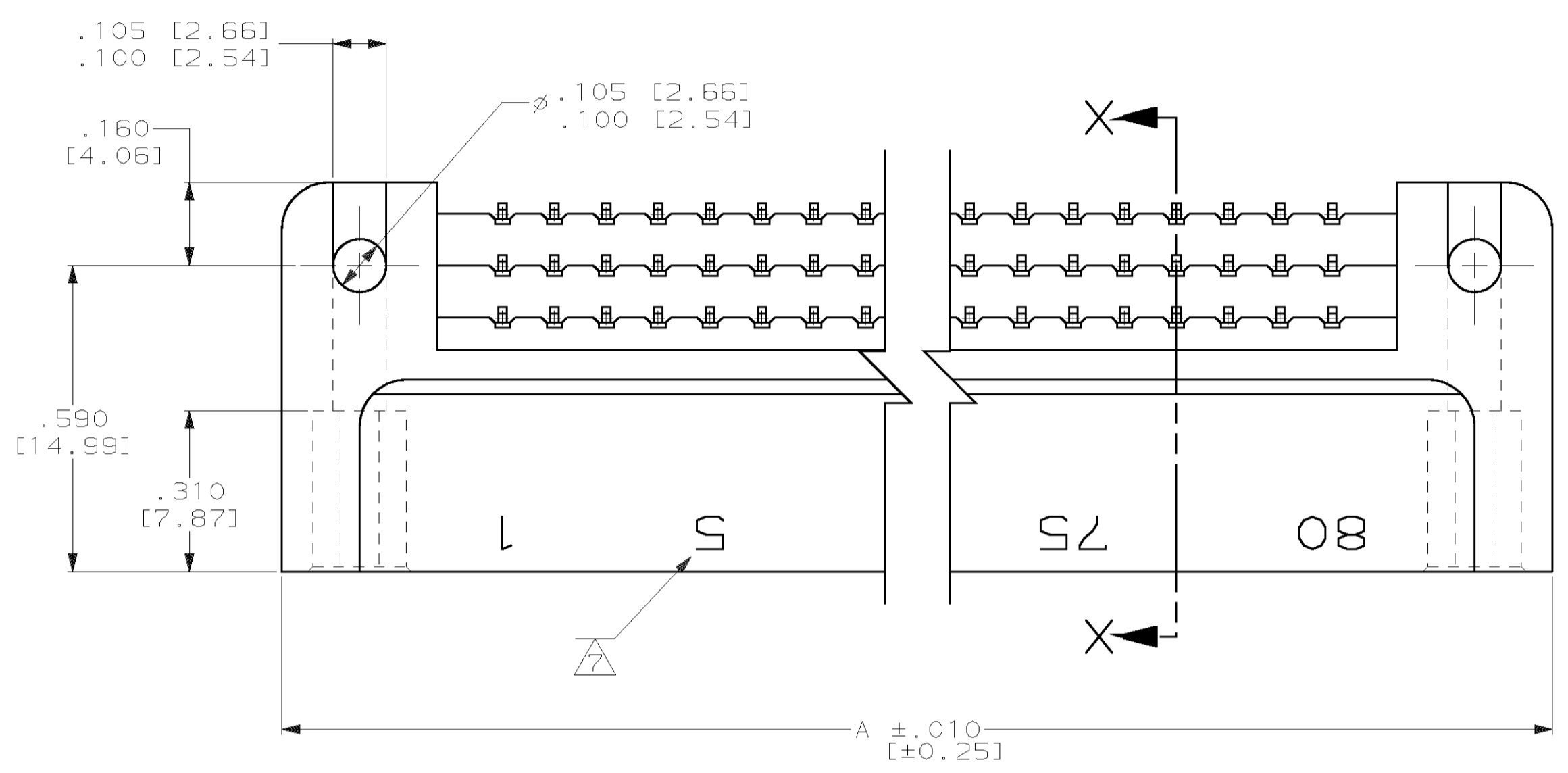


LOC		DIST		REVISIONS			
DF	FO	YR	DESCRIPTION	DATE	DN	APVD	
		0	RELEASED PER 0630-0497-00	10-00	CT	DM	



- 1 CUSTOMER PART NO., 00779, DATE CODE, PART NO. AND "AMP" MARKED ON THIS SIDE.
- 2 HOUSING MAT'L: POLYPHENYLENE SULFIDE, GST-40F PER MIL-M-24519.
- 3 CONTACT MAT'L: BRASS PER QQ-B-626.
- 4 CONTACT FINISH: .000050" [0.00127] GOLD OVER .000050" [0.00127] NICKEL IN CONTACT AREA.
- 5 CONTACT FINISH: .000100" [0.00254] TIN-LEAD OVER .000050" [0.00127] NICKEL
- 6 LETTERS INDICATING OUTSIDE ROWS AND NUMBERS INDICATING END CAVITIES (ROW C ONLY) MARKED ON THIS SURFACE.
- 7 NUMBERS INDICATING EVERY FIVE CAVITIES MARKED ON BOTH SIDES.
- 8. MEETS ALL REQUIREMENTS OF MIL-C-55302.
- 9 LINES INDICATING EVERY FIVE CAVITIES MARKED ON MATING FACE, EXCEPT END CAVITIES, STARTING AT POSN. #1.
- 10 EPOXY SEALANT TO PREVENT WICKING OF FLUXES AND CONFORMAL COATING INTO THE CONTACT ENGAGEMENT AREA.

93346-1452737-1	6.400 [162.56]	64	6.544 [166.21]	6.950 [176.53]	7.250 [184.15]	195	1218575-1
CUSTOMER PART NO.	E	D	C	B	A	POSN.	PART NO.

THIS DRAWING IS A CONTROLLED DOCUMENT.		DWG: C.C. THOMAS 10/19/00		AMP Incorporated	
DIMENSIONS: INCHES (mm)		CHK: D. MILLER 10-24-00		Harrisburg, PA 17105-3608	
TOLERANCES UNLESS OTHERWISE SPECIFIED:		APP'D: D. MILLER 10-24-00		NAME: PIN HEADER ASSY, RIGHT ANGLE, SEALED WITH MOUNTING EARS	
0 PLC ±.005		PRODUCT SPEC: -		SIZE: A1	
1 PLC ±.005		APPLICATION SPEC: -		CAGE CODE: 00779	
2 PLC ±.005		MATERIAL: -		DRAWING NO: 1218575	
3 PLC ±.005		FINISH: -		RESTRICTED TO: -	
4 PLC ±.005		WEIGHT: -		SCALE: 4:1	
5 PLCS ±.005		CUSTOMER DRAWING		SHEET 1 OF 1	
				REV 0	