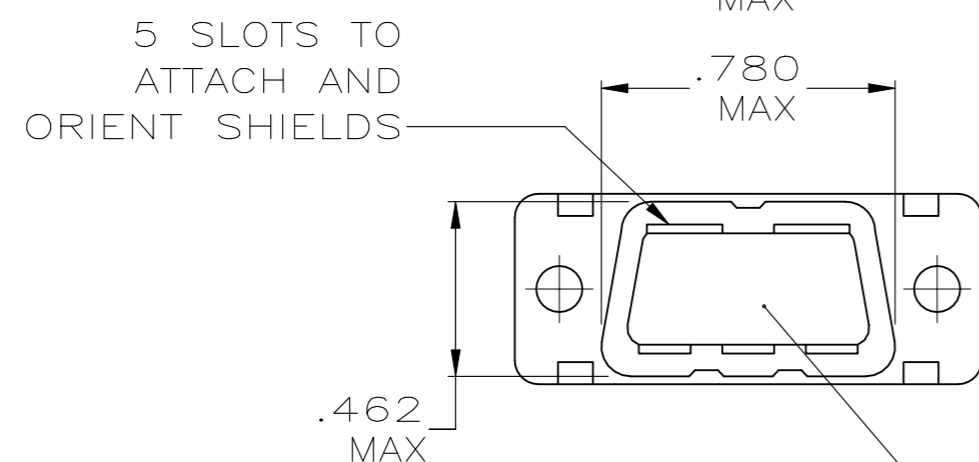
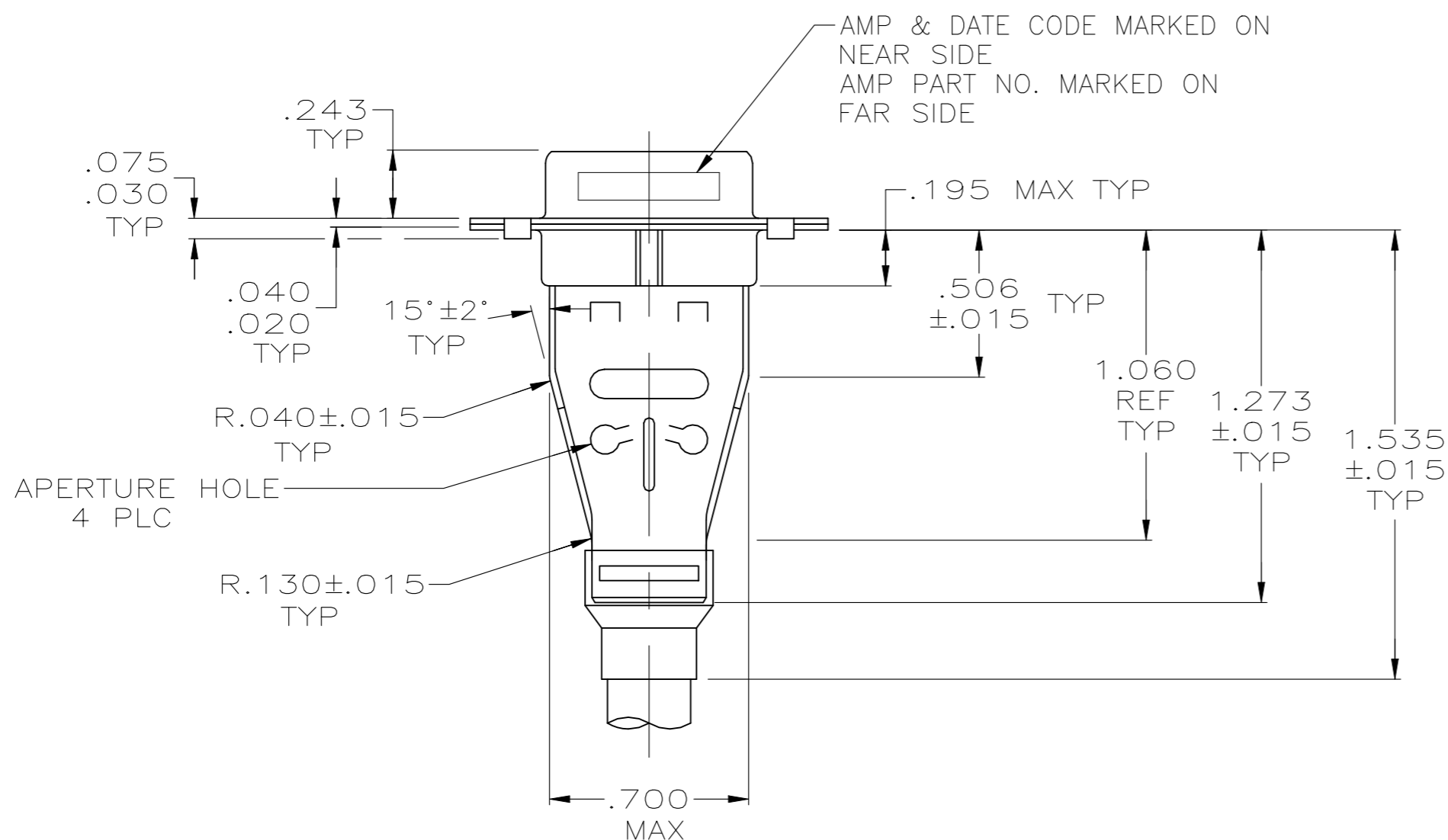
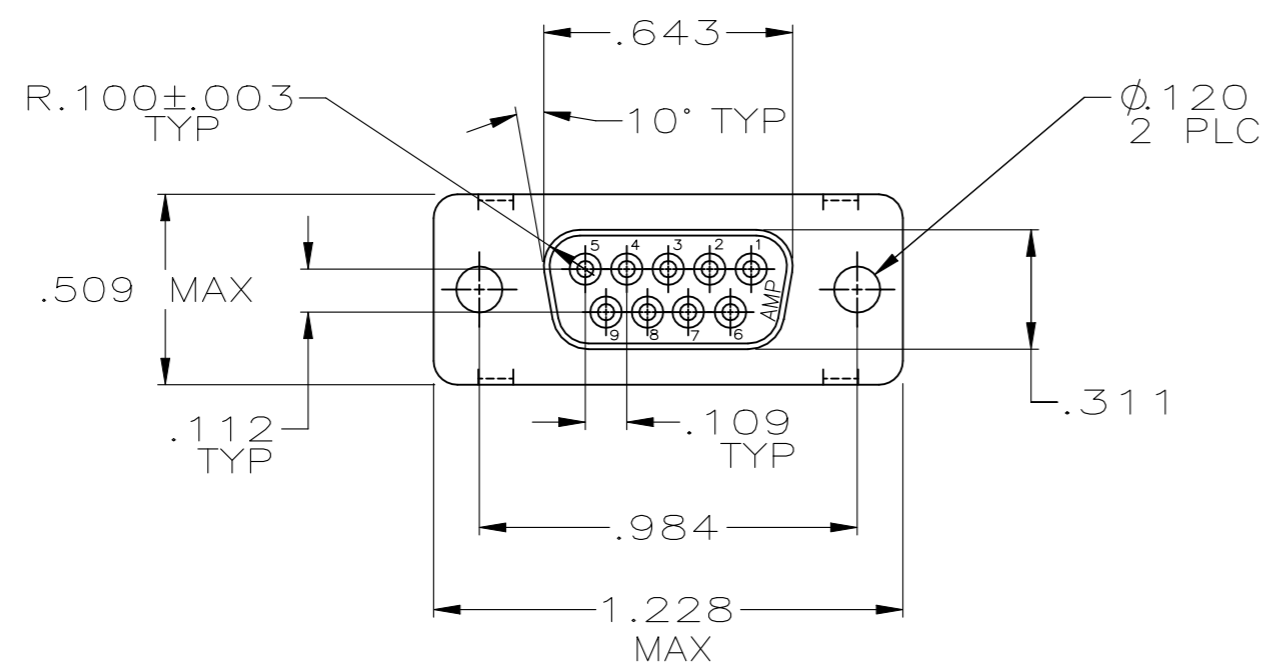


REVISIONS					
P	LTR	DESCRIPTION	DATE	DWN	APVD
F		REVISED PER ECN-24-265544	15MAY2024	PE	DS

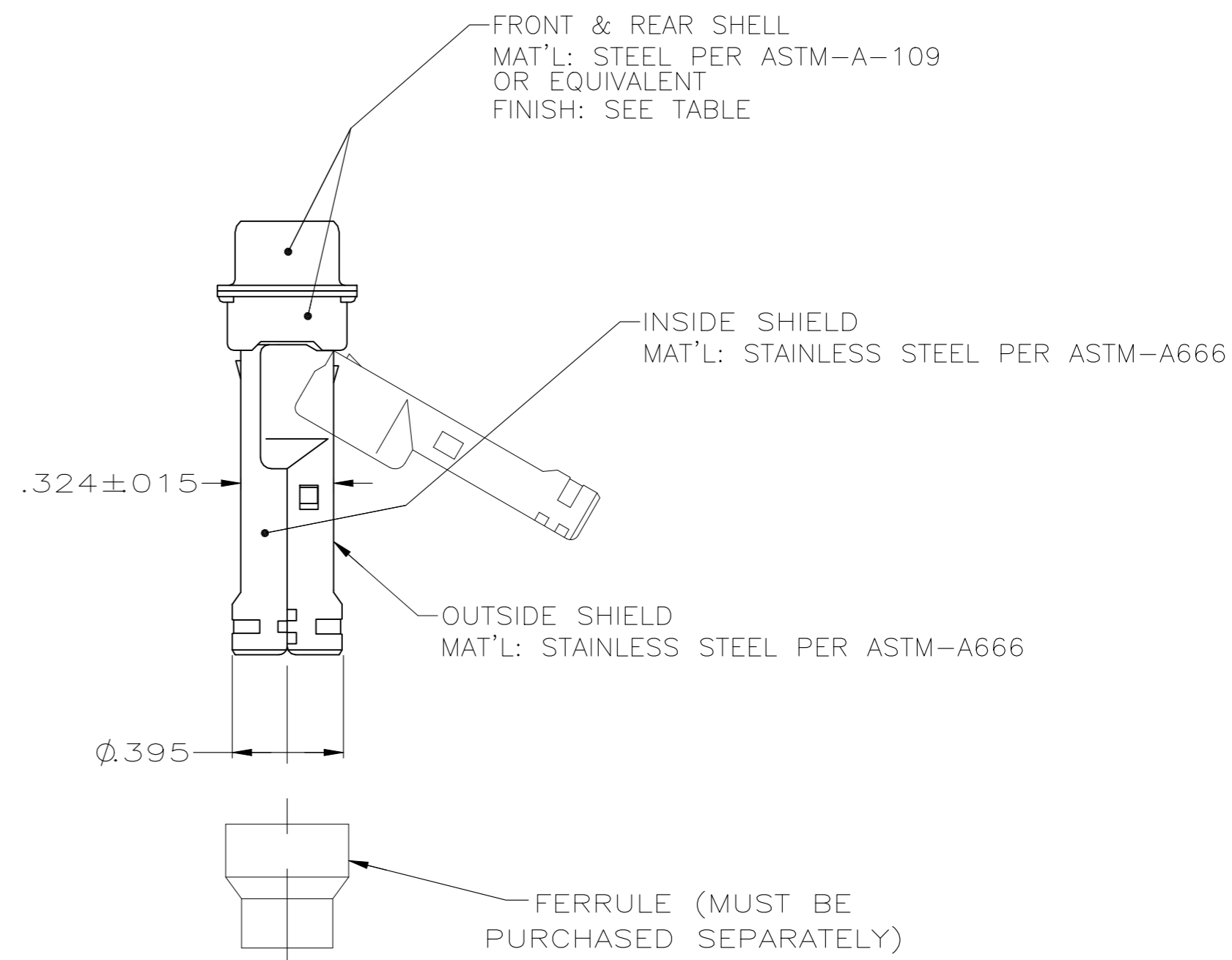


VIEW OF REAR SHELL (WITH SHIELDS REMOVED)

INSERT ASSY MATERIAL PER MIL-DTL-24308

AMP & DATE CODE MARKED ON NEAR SIDE
AMP PART NO. MARKED ON FAR SIDE

- CONTACTS ARE INCLUDED WITH CONNECTOR (PACKAGED SEPARATELY)
MAT'L: BRASS PER ASTM-B-16 OR BERYLLIUM COPPER PER ASTM-B-194.
FINISH: GOLD PER MIL-G-45204, TYPE II, GRADE C, CLASS I IN CONTACT MATING AREA. .000010 MIN GOLD PER MIL-G-45204 ON CONTACT BODY OVER NICKEL .000050 MIN THICK PER QQ-N-290.
- FINISH: CADMIUM PER QQ-P-416, TYPE II, CLASS 2, OVER COPPER PER MIL-C-14550 CLASS 4.
- FINISH: ZINC PLATED PER ASTM-B-633 .000200-.000400 THK WITH SUPPLEMENTARY CHROMATE (Cr3+).



WARNING - THIS DOCUMENT CONTAINS TECHNOLOGY WHOSE EXPORT IS RESTRICTED BY THE EXPORT ADMINISTRATION REGULATIONS ("EAR") PURSUANT TO 15 C.F.R. PARTS 730-774. VIOLATIONS OF THE EAR ARE SUBJECT TO SEVERE CRIMINAL PENALTIES UNDER THE EXPORT CONTROL REFORM ACT, AS AMENDED (TITLE 50, U.S.C., SEC. 4801, ET SEQ.).

THIS DRAWING IS A CONTROLLED DOCUMENT.		DWN	C.C.THOMAS	11-9-00	STE TE Connectivity	
DIMENSIONS: INCHES		CHK	R.GROSS	11-9-00		
TOLERANCES UNLESS OTHERWISE SPECIFIED:		APVD	R.GROSS	11-9-00	NAME	
0 PLC ± -		PRODUCT SPEC	AMPLIMITE KIT,SERIES 109, SIZE 1,9 POSN., WITH SHIELDING HARDWARE			
1 PLC ± -		APPLICATION SPEC	SIZE			
2 PLC ± -		WEIGHT	0.000000	A2	CAGE CODE	00779
3 PLC ± .005 [0.13]		CUSTOMER DRAWING	SCALE		DRAWING NO	C=1218949
4 PLC ± -		SCALE	2:1	SHEET	1 OF 1	REV
ANGLES ± -		RESTRICTED TO	-			

3	5-1218949-1
2	1218949-1
REMARKS	PART NO