

4

3

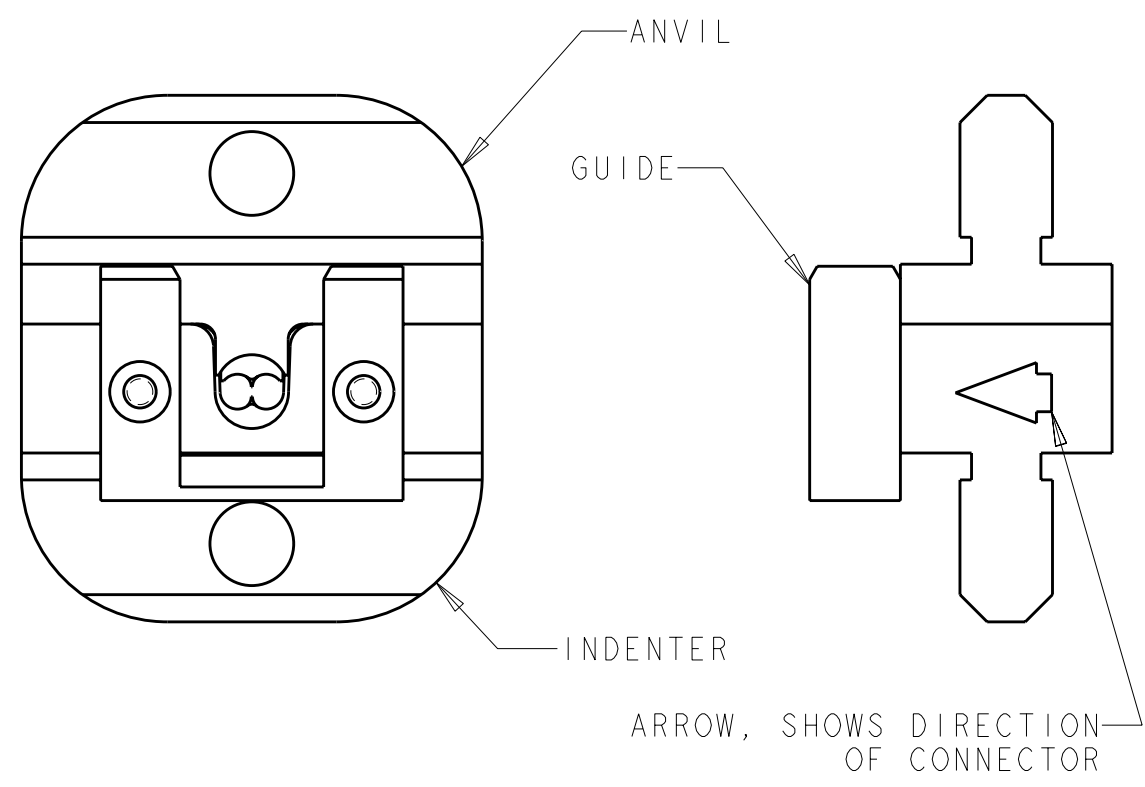
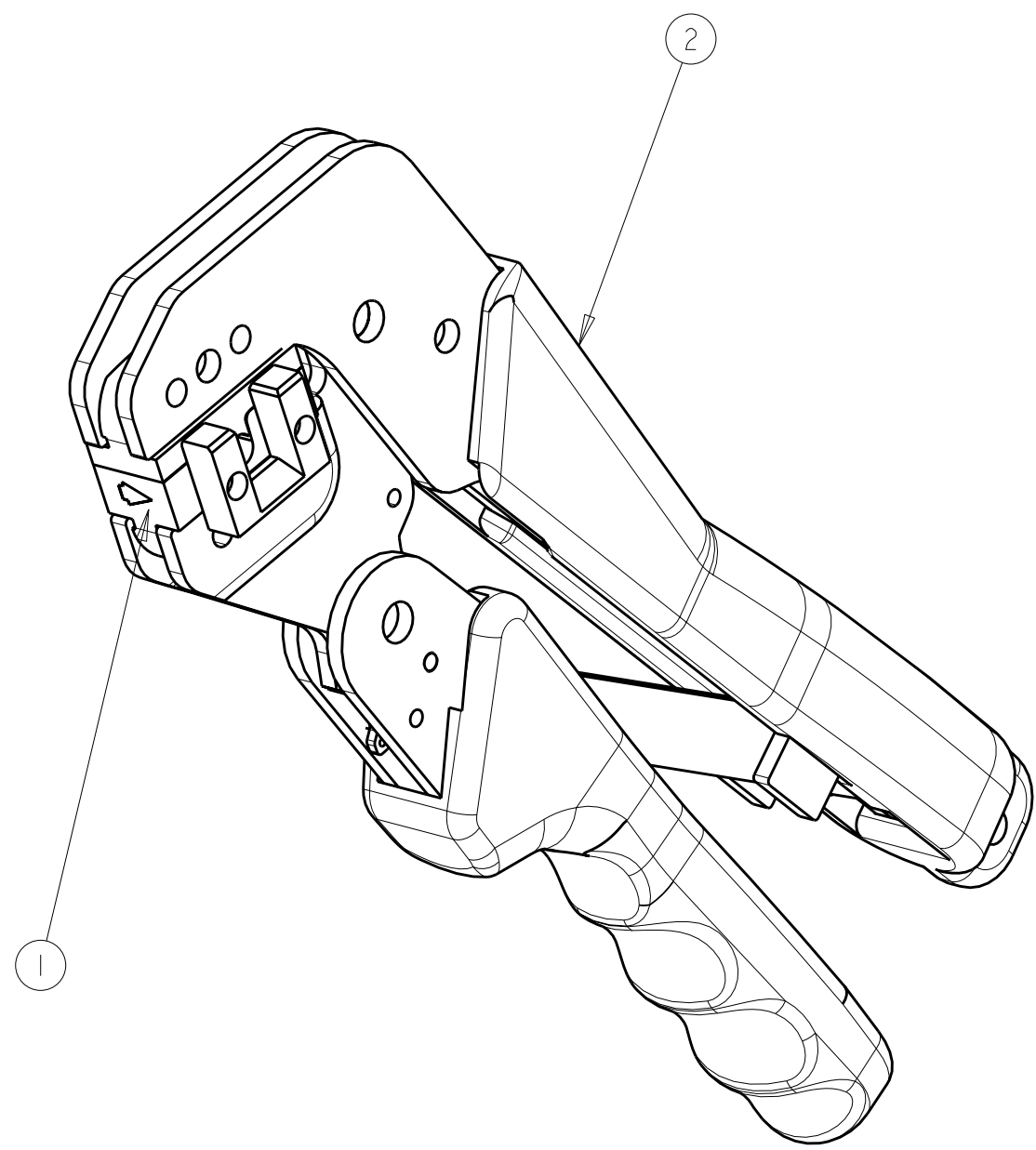
2

1

THIS DRAWING IS UNPUBLISHED. RELEASED FOR PUBLICATION

© COPYRIGHT 20 BY TYCO ELECTRONICS CORPORATION. ALL RIGHTS RESERVED.

LOC	DIST	REVISIONS					
CE	00	P	LTR	DESCRIPTION	DATE	DWN	APVD
			A	REV PER 0A00-0576-99	6-17-99	DDE	MG
			B	REVISE PER ECR-08-015882	20AUG2008	BB	DK



1	1976850-1	PROCRIMPER	2
1	1278627-1	DIESET	1
-1	PART NO	DESCRIPTION	ITEM NO

<small>THIS DRAWING IS A CONTROLLED DOCUMENT FOR TYCO ELECTRONICS CORPORATION. IT IS SUBJECT TO CHANGE AND THE CONTROLLING ENGINEERING ORGANIZATION SHOULD BE CONTACTED FOR THE LATEST REVISION.</small>		DWN <b>D ERDMAN</b> 4-16-99 CHK <b>M GURRERI</b> 4-16-99 APVD <b>S BUCHTER</b> 4-16-99		Tyco Electronics Harrisburg, PA 17105-3608	
DIMENSIONS: mm [ INCHES ]		TOLERANCES UNLESS OTHERWISE SPECIFIED: 0 PLC ±- 1 PLC ±0.5 2 PLC ±0.13 3 PLC ±0.013 4 PLC ±0.0001 ANGLES ±-		NAME <b>DIESET, MT-RJ, MINI TWIN ZIP WITH AMP PROCRIMPER</b>	
		MATERIAL - FINISH -		PRODUCT SPEC - APPLICATION SPEC - WEIGHT -	
		SIZE <b>A3</b> CAGE CODE <b>00779</b> DRAWING NO <b>C-1278632</b> RESTRICTED TO -		CUSTOMER DRAWING SCALE <b>2:1</b> SHEET <b>1</b> OF <b>1</b> REV <b>B</b>	