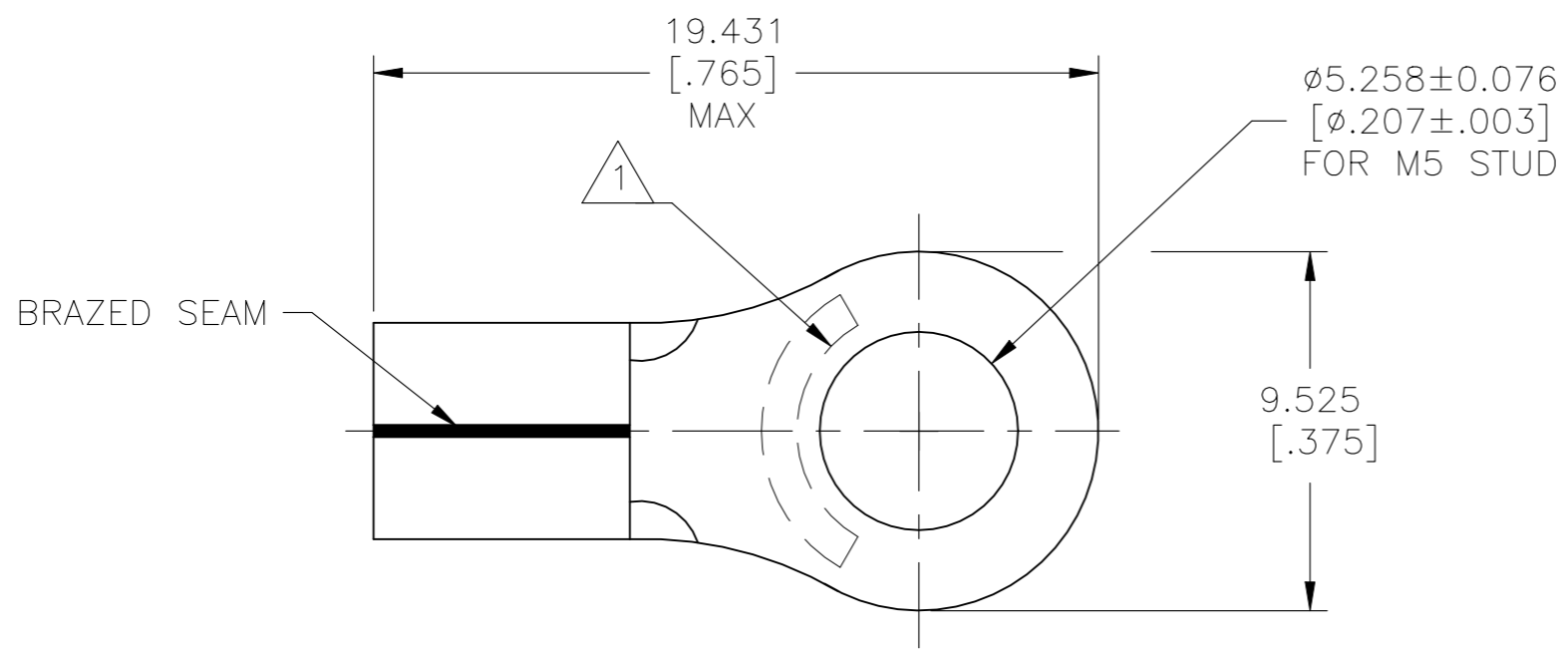
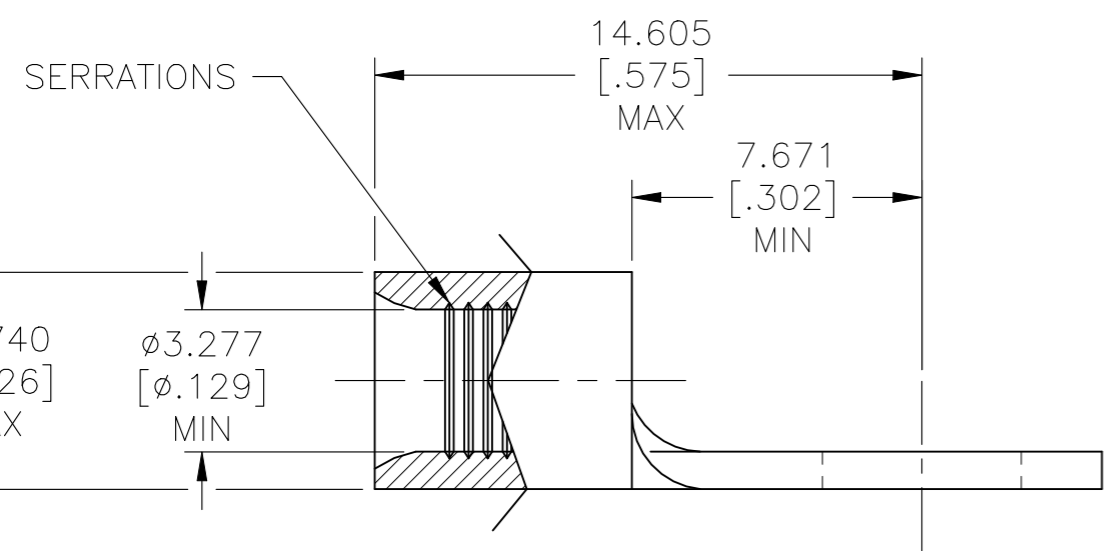


© - TE Connectivity. All Rights Reserved.

REVISIONS				
P	LTR	DESCRIPTION	DATE	APVD
	A3	REVISED PER ECR-22-131337	19APR2022	LP DCS



AMP WIRE RANGE
12-10 AWG SOLID OR STRANDED
E13288 Listed
12-10 AWG STRANDED
LR7189 Certified
12-10 AWG SOLID OR STRANDED



- 1 STAMP AMP 12-10* APPROX AS SHOWN
- 2 MATERIAL: COPPER PER ASTM B152
- 3 FINISH: TIN PLATE 0.00254[.000100] MIN EXT THK PER ASTM B545
- 4 MATERIAL THK: 0.990±0.051[.039±.002]

1000	LOOSE PIECE	130191
QTY	PACKAGE TYPE	PART NO

AMP INCORPORATED
CUSTOMER SERVICE SYSTEMS

FOR ADDITIONAL PRODUCT INFORMATION OR COPIES OF DRAWINGS AND TECHNICAL DOCUMENTS
PRODUCT INFORMATION CENTER
1-800-522-6752

FOR APPLICATION TOOLING INFORMATION
TOOLING ASSISTANCE CENTER
1-800-722-1111

FOR ORDER ENTRY
1-800-526-5142

MAX RECOMMENDED OPERATING TEMPERATURE:
170°C [338°F]

VOLTAGE RATING:
N/A

WIRE CROSS SECTIONAL AREA RANGE,
2.62-6.64mm²[5,180-13,100]
CIR MILS
SOLID OR STRANDED

THIS DRAWING IS A CONTROLLED DOCUMENT.

DIMENSIONS:
mm [INCHES]

TOLERANCES UNLESS OTHERWISE SPECIFIED:

0 PLC	± -
1 PLC	± -
2 PLC	± -
3 PLC	± 0.127[.005]
4 PLC	± -
ANGLES	± -

MATERIAL

FINISH

DWN KIRAN HOLAL 30JAN13

CHK ROHDE DANIEL 30JAN13

APVD ROHDE DANIEL 30JAN13

PRODUCT SPEC
UL486 A-B

APPLICATION SPEC

WEIGHT -

STE TE Connectivity

NAME
TERMINAL, RING TONGUE,
SOLISTRAND, WIRE SIZE: 12-10 AWG

SIZE	CAGE CODE	DRAWING NO	RESTRICTED TO
A3	00779	C-130191	-

CUSTOMER DRAWING

SCALE 5:1 SHEET 1 OF 1 REV A3