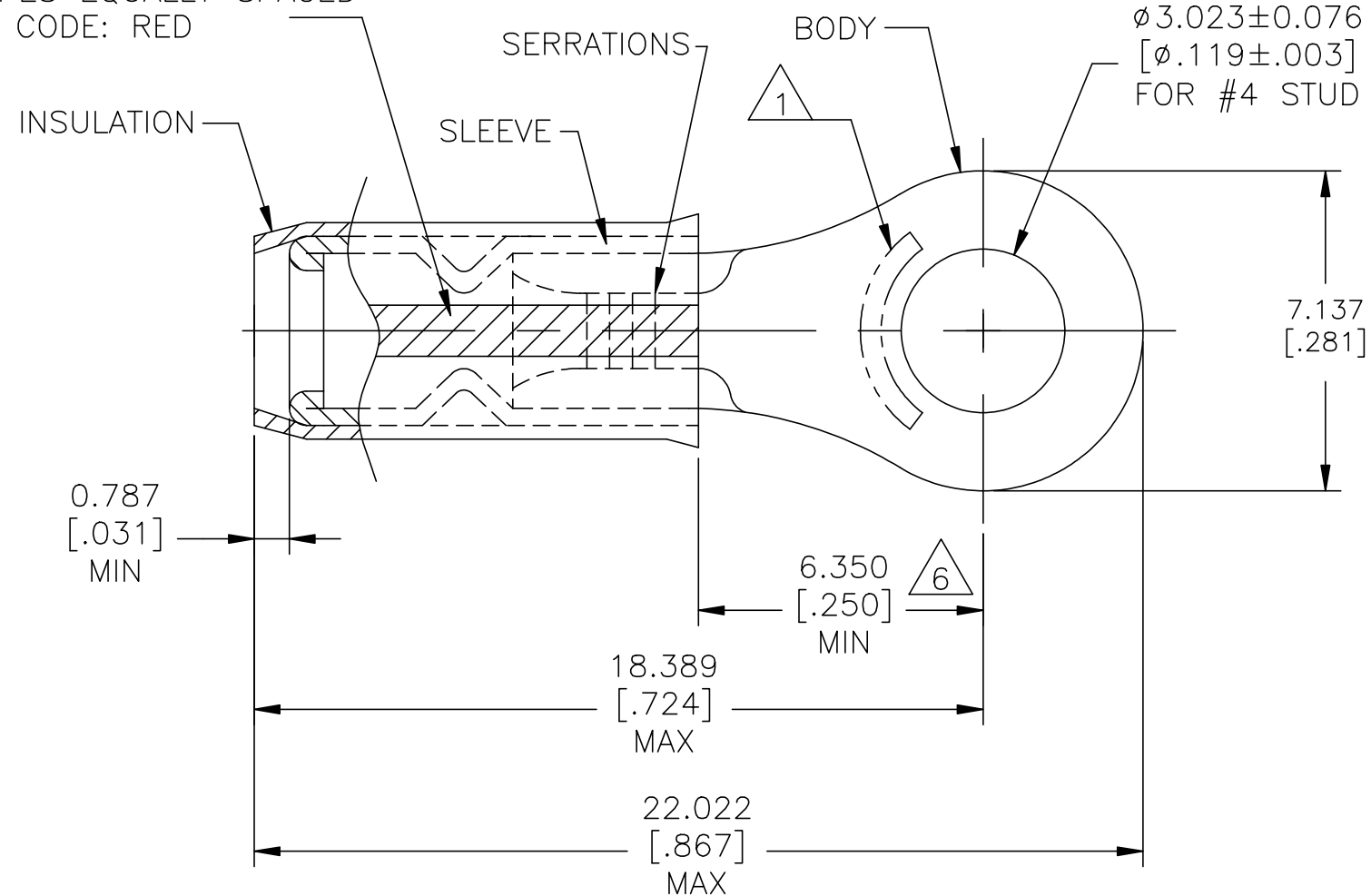


© - TE Connectivity. All Rights Reserved.

REVISIONS

P	LTR	DESCRIPTION	DATE	DWN	APVD
E		REVISED PER ECR-23-175984	30MAY2023	BB	DSC

3 STRIPES EQUALLY SPACED
COLOR CODE: RED



- 1. STAMP "AMP 22-18*" APPROX AS SHOWN
- 2. WIRE INSULATION DIAMETER:
 $\phi 1.250[.049]$ TO $\phi 1.770[.070]$
- 3. BODY MATERIAL THK: $0.787 \pm 0.051[.031 \pm .002]$
- 4. MATERIAL:
BODY & SLEEVE - COPPER PER ASTM B152
INSULATION - NYLON
- 5. FINISH:
BODY & SLEEVE - TIN PLATE $0.00254[.000100]$
MIN EXT THK PER ASTM B545
INSULATION COLOR - RED
- 6. APPLIES FROM EDGE OF METAL WIRE BARREL TO
CENTER OF STUD HOLE

1000	LOOSE PIECE	131644-1
QTY	PACKAGE TYPE	PART NUMBER

AMP INCORPORATED
CUSTOMER SERVICE SYSTEMS

MAX RECOMMENDED OPERATING
TEMPERATURE:
105°C [221°F] MAX

THIS DRAWING IS A CONTROLLED DOCUMENT.

DWN 12MAY2023
LINGANATHAN P



VOLTAGE RATING: 300 V MAX

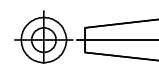
DIMENSIONS:
mm [INCHES]

TOLERANCES UNLESS
OTHERWISE SPECIFIED:

CHK 12MAY2023
SUVARNA, CHETHAN D

NAME
TERMINAL, RING TONGUE,
IR, PIDG™
WIRE SIZE: 20 AWG

WIRE RANGE: CIRC MIL AREA:
20 0.60mm² [1,186]
STRANDED



0 PLC ± -
1 PLC ± -
2 PLC ± -
3 PLC ± 0.127[.005]
4 PLC ± -
ANGLES ± -

APVD 12MAY2023
SUVARNA, CHETHAN D

PRODUCT SPEC

APPLICATION SPEC

114-2157

WEIGHT -

SIZE CAGE CODE DRAWING NO RESTRICTED TO

A3 00779 C=131644 -

FOR ORDER ENTRY 1-800-526-5142

THIS DRAWING IS A CONTROLLED DOCUMENT FOR
AMP INCORPORATED. IT IS SUBJECT TO CHANGE
AND THE CONTROLLING ENGINEERING ORGANIZATION
SHOULD BE CONTACTED FOR THE LATEST REVISION.



CUSTOMER DRAWING SCALE NTS SHEET 1 of 1 REV E