

4

3

2

1

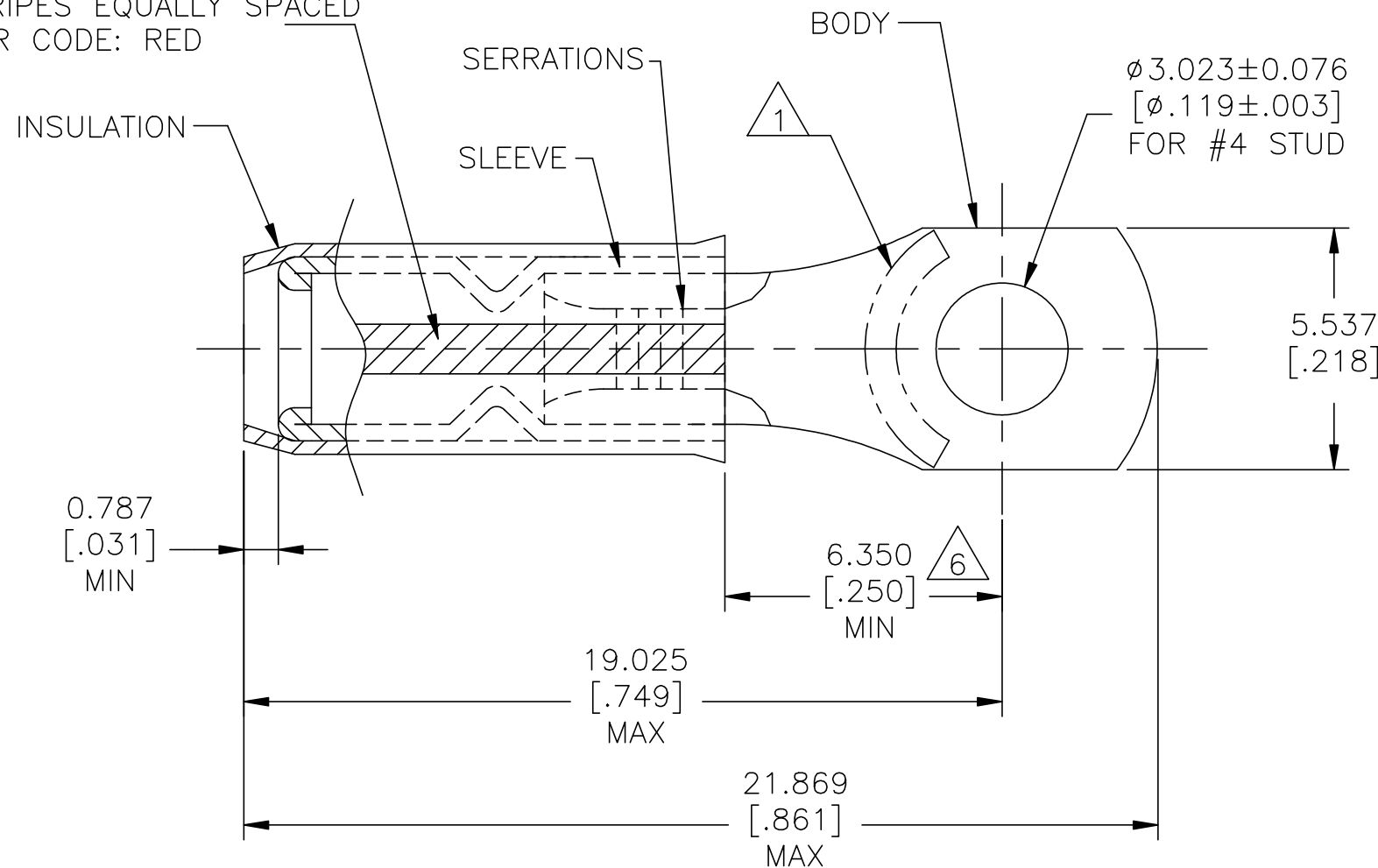
© B TE Connectivity. All Rights Reserved.

REVISIONS

P	LTR	DESCRIPTION	DATE	DWN	APVD
D		REVISED PER ECR-23-175984	30MAY2023	BB	DSC

- 1 STAMP "AMP 22-16*" APPROX AS SHOWN
- 2. WIRE INSULATION DIAMETER:
ø2.870[.113] MAX
- 3. BODY MATERIAL THK: 0.787±0.051[.031±.002]
- 4 MATERIAL:
BODY & SLEEVE - COPPER PER ASTM B152
INSULATION - NYLON
- 5 FINISH:
BODY & SLEEVE - TIN PLATE 0.00254[.000100]
MIN EXT THK PER ASTM B545
INSULATION COLOR - RED
- 6 APPLIES FROM EDGE OF METAL WIRE BARREL TO
CENTER OF STUD HOLE

3 STRIPES EQUALLY SPACED
COLOR CODE: RED



100	LOOSE PIECE	132016-1
QTY	PACKAGE TYPE	PART NUMBER

AMP INCORPORATED CUSTOMER SERVICE SYSTEMS		MAX RECOMMENDED OPERATING TEMPERATURE: 105°C [221°F] MAX	THIS DRAWING IS A CONTROLLED DOCUMENT.		DWN 12MAY2023 LINGANATHAN P	TE TE Connectivity
FOR ADDITIONAL PRODUCT INFORMATION OR COPIES OF DRAWINGS AND TECHNICAL DOCUMENTS	PRODUCT INFORMATION CENTER 1-800-522-6752	VOLTAGE RATING: 300 V MAX	DIMENSIONS: mm [INCHES]	TOLERANCES UNLESS OTHERWISE SPECIFIED:	CHK 12MAY2023 SUVARNA, CHETHAN D	
FOR APPLICATION TOOLING INFORMATION	TOOLING ASSISTANCE CENTER 1-800-722-1111	WIRE RANGE: CIRC MIL AREA: 20 0.60mm² [1,186] STRANDED		0 PLC ± - 1 PLC ± - 2 PLC ± - 3 PLC ± 0.127[.005] 4 PLC ± - ANGLES ± -	APVD 12MAY2023 SUVARNA, CHETHAN D	SIZE CAGE CODE DRAWING NO RESTRICTED TO A3 00779 C=132016 -
FOR ORDER ENTRY	1-800-526-5142	THIS DRAWING IS A CONTROLLED DOCUMENT FOR AMP INCORPORATED. IT IS SUBJECT TO CHANGE AND THE CONTROLLING ENGINEERING ORGANIZATION SHOULD BE CONTACTED FOR THE LATEST REVISION.	MATERIAL 4	FINISH 5	APPLICATION SPEC 114-2157	SCALE SHEET REV NTS 1 of 1 D