

REVISIONS

P	LTR	DESCRIPTION	DATE	DWN	APVD
	D2	REVISED PER ECR-16-002372	21OCT2021	ED	WH

NOTES:

- 1 PACK IN ACCORDANCE WITH AMP SPEC 107-3275
- 2 100 TRAY PACK IN ACCORDANCE WITH AMP SPEC 107-3275
- 3 Au PLATING
GOLD THICKNESS FOR CONTACT IS 0.05um;
GOLD THICKNESS FOR BODY IS 0.05um.

4 ELECTRICAL CHARACTERISTICS

FREQUENCY RANGE:	DC - 4 GHz
NOMINAL IMPEDANCE:	50 Ohm
INSULATION RESISTANCE:	1000 MOhm
WORKING VOLTAGE:	250 Volts RMS at Sea Level
DIELECTRIC WITHSTAND VOLTAGE:	750 Volts RMS Max
CONTACT RESISTANCE:	
CENTRE CONTACT:	6.00 mOhm Max
OUTER CONTACT:	1.00 mOhm Max

5 MECHANICAL CHARACTERISTICS

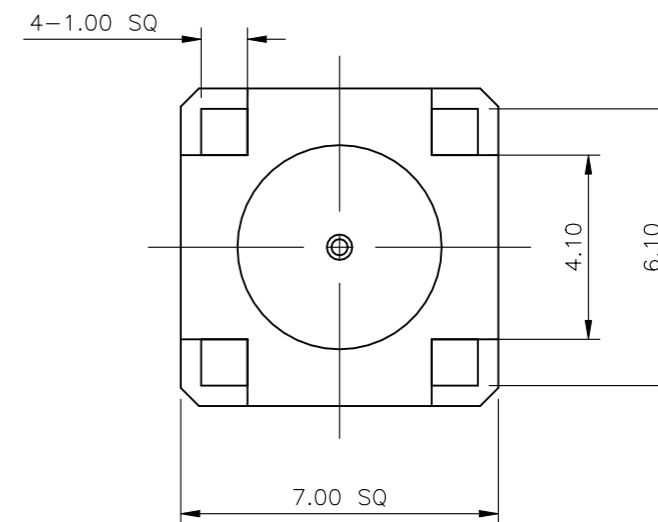
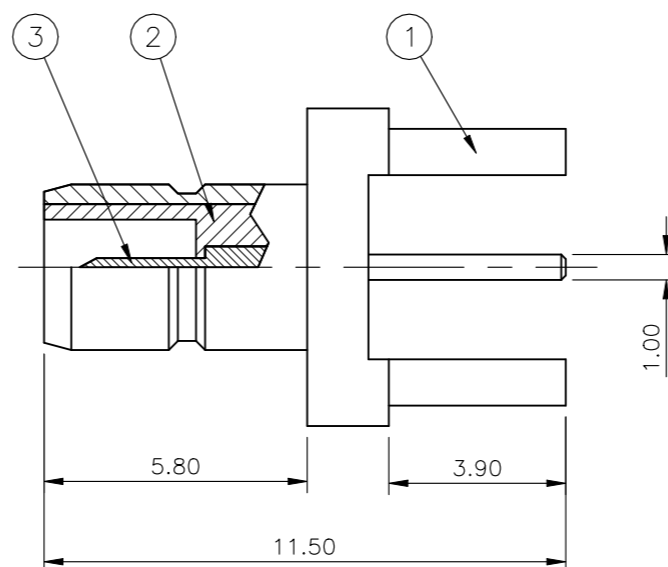
DURABILITY:	500 Cycles Min
-------------	----------------

6 ENVIRONMENTAL CHARACTERISTICS

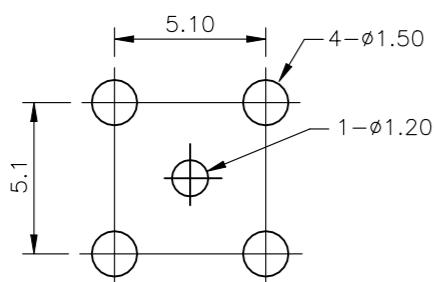
OPERATING TEMPERATURE:	-65 to +165 DegC
------------------------	------------------

7 FOR TECHNICAL DATA REFER TO YOUR LOCAL TE CONNECTIVITY SALES OFFICE

8 ALL DIMENSIONS ARE NOMINAL FOR REFERENCE ONLY UNLESS OTHERWISE STATED



RECOMMENDED PCB LAYOUT



QTY	QTY PER ASSY	MATERIAL	DESCRIPTION	ITEM
1	1	BRASS	CONTACT	3
1	1	PTFE	INSULATION	2
1	1	BRASS	BODY	1
6--0	1--0	MATERIAL	DESCRIPTION	ITEM

THIS DRAWING IS A CONTROLLED DOCUMENT.		DWN J.SANDWELL 07SEPT05	TE Connectivity SMB STRAIGHT PCB SOCKET 50 OHM																
DIMENSIONS: mm		CHK S.PARLOW 07SEPT05				APVD F.WHEELER-KING 07SEPT05	NAME												
<table border="0"> <tr> <td>0 PLC</td> <td>± -</td> </tr> <tr> <td>1 PLC</td> <td>± 0.2</td> </tr> <tr> <td>2 PLC</td> <td>± 0.1</td> </tr> <tr> <td>3 PLC</td> <td>± -</td> </tr> <tr> <td>4 PLC</td> <td>± -</td> </tr> <tr> <td>ANGLES</td> <td>± -</td> </tr> </table>		0 PLC				± -	1 PLC	± 0.2	2 PLC	± 0.1	3 PLC	± -	4 PLC	± -	ANGLES	± -	PRODUCT SPEC	APPLICATION SPEC	RESTRICTED TO
0 PLC	± -																		
1 PLC	± 0.2																		
2 PLC	± 0.1																		
3 PLC	± -																		
4 PLC	± -																		
ANGLES	± -																		
MATERIAL SEE TABLE		FINISH -	WEIGHT 0.000000	SIZE A3	CAGE CODE 00779	DRAWING NO C-1337482													
CUSTOMER DRAWING			SCALE NTS	SHEET 1 OF 1	REV D2														