

THIS DRAWING IS UNPUBLISHED.

RELEASED FOR PUBLICATION FEB ,2006.

© COPYRIGHT 2006 By -

ALL RIGHTS RESERVED.

LOC	DIST	REVISIONS			
P	LTR	DESCRIPTION	DATE	DWN	APVD
E	B				
	D	ECO-14-012963	25AUG2014	RZ	MY

NOTES:

1 PACKAGE ONE COMPLETE CONNECTOR IN HEAT SEALED, LABELED BAG/ 1000 PER SHIPPING BOX. LABELED PER TEC-107-115

2 100 TRAY PACK IN ACCORDANCE WITH AMP SPEC 107-3275

3 Au PLATING

4 ELECTRICAL CHARACTERISTICS

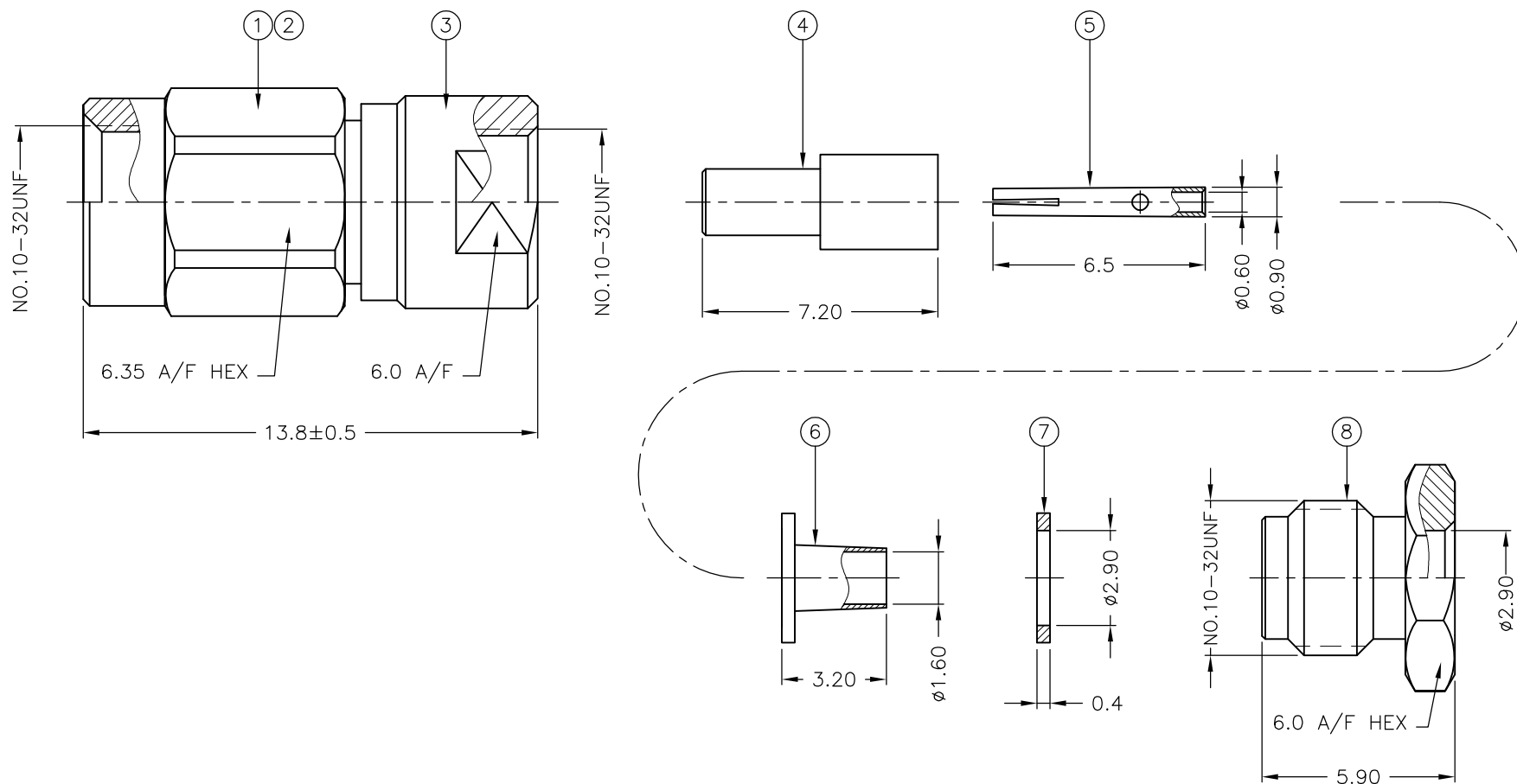
FREQUENCY RANGE:	DC - 10 GHz
NOMINAL IMPEDANCE:	50 Ohm
INSULATION RESISTANCE:	1000 MOhm
WORKING VOLTAGE:	250 Volts RMS at Sea Level
DIELECTRIC WITHSTAND VOLTAGE:	750 Volts RMS Max
CONTACT RESISTANCE:	
CENTER CONTACT:	6.00 mOhm Max
OUTER CONTACT:	1.00 mOhm Max
VSWR @ 3GHz:	1.35:1
INSERTION LOSS dB @ 4 GHz:	0.25 Max

5 MECHANICAL CHARACTERISTICS

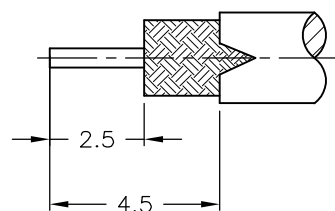
COUPLING NUT RETENTION FORCE:	156N Min
CABLE RETENTION FORCE:	
RG174A/U, 188A/U, 316/U, URM95:	43.5N Min
CLAMP NUT RECOMMENDED TORQUE	0.6Nm
DURABILITY:	500 Cycles Min

6 ENVIRONMENTAL CHARACTERISTICS

OPERATING TEMPERATURE:	-65 to +165 DegC
------------------------	------------------



RECOMMENDED CABLE STRIPPING DIM'S



QTY	QTY PER ASSY	MATERIAL	DESCRIPTION	ITEM
1	1	BRASS	CLAMP NUT	8
1	1	BRASS	WASHER	7
1	1	BRASS	FERRULE	6
1	1	BERYLLIUM COPPER	CONTACT	5
1	1	PTFE	INSULATION	4
1	1	BRASS	BODY	3
1	1	BERYLLIUM COPPER	CIRCLIP	2
1	1	BRASS	COUPLING NUT	1
6--0	1--0	MATERIAL	DESCRIPTION	ITEM

THIS DRAWING IS A CONTROLLED DOCUMENT.		DWN J.SANDWELL 13FEB06	TE Connectivity														
DIMENSIONS: mm		CHK S.PARLOW 13FEB06															
TOLERANCES UNLESS OTHERWISE SPECIFIED:		APVD F.WHEELER-KING 13FEB06	NAME SMC STRAIGHT PLUG SOLDER 50 OHM RG174A/U, 188A/U, 316/U, URM95, KX3B, KX22A														
<table border="0"> <tr><td>0 PLC</td><td>± -</td></tr> <tr><td>1 PLC</td><td>± 0.2</td></tr> <tr><td>2 PLC</td><td>± 0.1</td></tr> <tr><td>3 PLC</td><td>± -</td></tr> <tr><td>4 PLC</td><td>± -</td></tr> <tr><td>ANGLES</td><td>± -</td></tr> </table>		0 PLC	± -	1 PLC	± 0.2	2 PLC	± 0.1	3 PLC	± -	4 PLC	± -	ANGLES	± -	PRODUCT SPEC -	APPLICATION SPEC -		
0 PLC	± -																
1 PLC	± 0.2																
2 PLC	± 0.1																
3 PLC	± -																
4 PLC	± -																
ANGLES	± -																
MATERIAL SEE TABLE		FINISH -	411-3258	SIZE A3	CAGE CODE 00779												
			WEIGHT -	DRAWING NO C-1337607	RESTRICTED TO -												
CUSTOMER DRAWING			SCALE NTS	SHEET 1 OF 1	REV D												