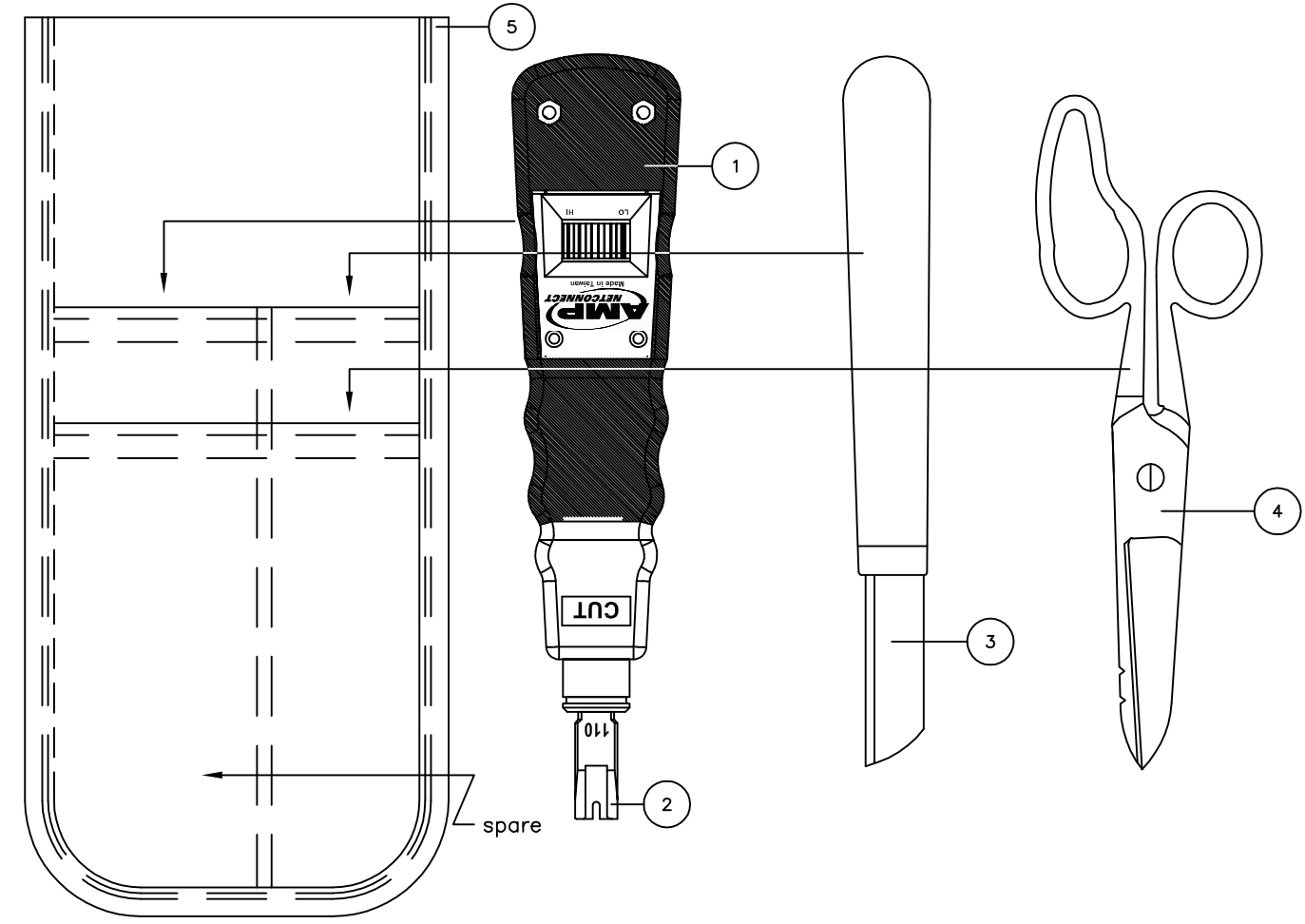


THIS DRAWING IS UNPUBLISHED.		RELEASED FOR PUBLICATION	
© COPYRIGHT - By -		ALL RIGHTS RESERVED.	
PART NUMBER	REV	FIRST USED	
1375307-1	D	-	

LOC	DIST	REVISIONS					
A	40	P	LTR	DESCRIPTION	DATE	DWN	APVD
		D		ECR-12-004044	12-2012	MY	RK

1. KIT INCLUDES:

- ① - PUNCH DOWN TOOL P/N 1375308-1.
  - ② - THE 110 PUNCH DOWN BLADE IS INSTALLED IN TOP OF THE PUNCH DOWN TOOL.
  - ③ - BLUE KNIFE.
  - ④ - STANDARD SNIPS.
  - ⑤ - BLACK POUCH.
- TOOLS INSTALLED IN POUCH AREAS AS SHOWN.



THIS DRAWING IS A CONTROLLED DOCUMENT. DIMENSIONING AND TOLERANCING PER ASME Y14.5M (ISO STANDARDS)		DWN R. SMELTZ 09JAN2004		
DIMENSIONS: INCHES		CHK D. MEYER 09JAN2004		
		APVD R. SCHAEFFER 09JAN2004	NAME KIT, TOOL W/BLADE IMPACT, D914S, XC, 110 CONNECT	
TOLERANCES UNLESS OTHERWISE SPECIFIED: 0 PLC ± - 1 PLC ± - 2 PLC ± .02 3 PLC ± - 4 PLC ± - ANGLES ± - FINISH -		PRODUCT SPEC -	APPLICATION SPEC -	RESTRICTED TO -
MATERIAL -	FINISH -	WEIGHT -	SIZE A2	CAGE CODE 00779
CUSTOMER DRAWING		DRAWING NO C=1375307	SCALE 1:1	SHEET 1 of 1

1375307