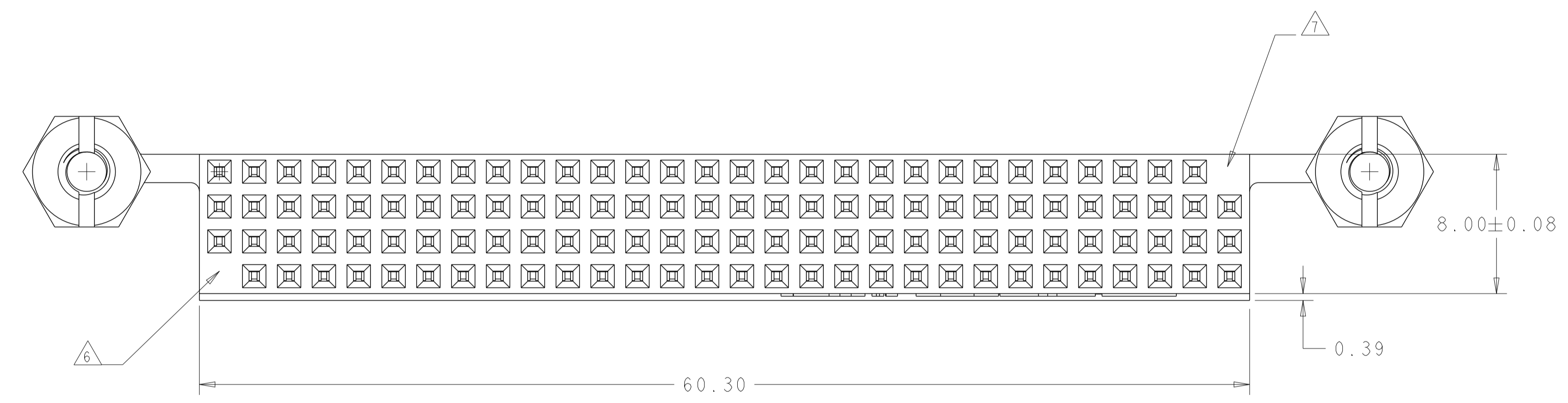
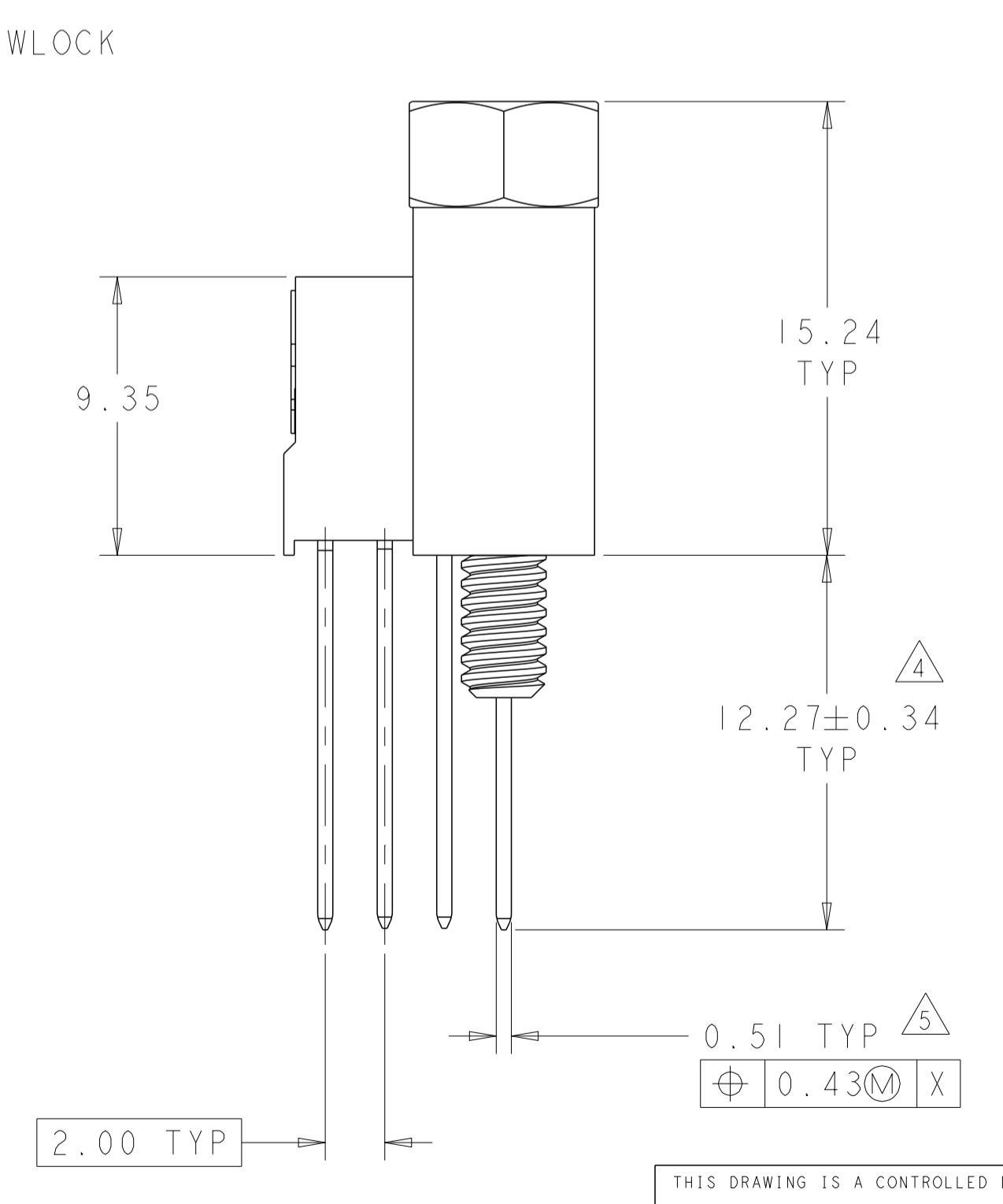
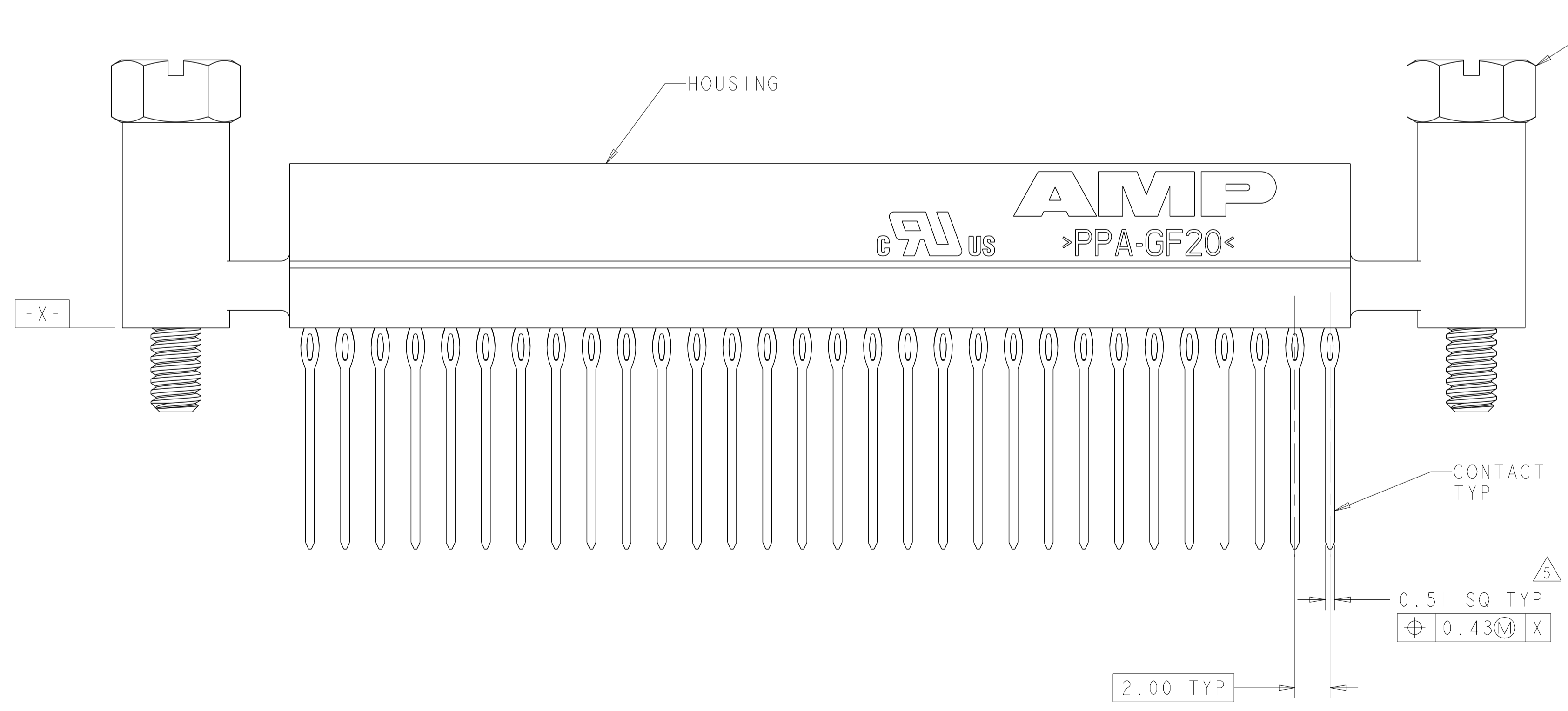


REVISIONS				
P	LTN	DESCRIPTION	DATE	APPD
J5		REVISED PER ECO-16-008038	27MAY2016	NK JO
K		REVISED PER ECO-18-012301	06AUG2018	RS JO



- △1 HOUSING: HIGH TEMPERATURE, GLASS FILLED NYLON, COLOR: BLACK.
CONTACTS: PHOSPHOR BRONZE.
SCREWLOCKS: STEEL.
- △2 CONTACTS: 0.000381 MIN GOLD ON MATING RECEPTACLE END, 0.000130 MIN GOLD ON REMAINDER, ALL OVER 0.001270 NICKEL.
SCREWLOCKS: CLEAR CHROMATE OVER ZINC.
- △3 PCB HOLE RECOMMENDATIONS:
A. DRILL HOLE DIAMETER TO BE 1.00±0.02.
B. PLATING TO BE 0.005 MIN TIN-LEAD OVER 0.025-0.075 COPPER.
C. RECOMMENDED FINISH HOLE SIZE IS 0.88±0.08.
- △4 DIMENSION AFTER SEATING TO PCB.
- △5 POSITION TOLERANCE APPLIES AFTER CONNECTOR IS PRESSED ONTO PC BOARD.
- △6 NO CONTACT IN THIS POSITION FOR PART NUMBER 1375797-2 ONLY.
- △7 NO CONTACT IN THIS POSITION FOR PART NUMBER 1375797-3 ONLY.
- △8 CONTACTS: 0.000381 MIN GOLD ON MATING RECEPTACLE END, 0.00254-0.00508 MATTE TIN ON COMPLIANT AREA, 0.000130 MIN GOLD OVER REMAINDER, ALL OVER 0.001270 NICKEL.
SCREWLOCKS: CLEAR CHROMATE OVER ZINC.
- △9 TO BE USED ON SILVER IMMERSION PLATED PCB'S (NOTE 10).
- △10 PCB HOLE RECOMMENDATIONS FOR SILVER IMMERSION PLATING:
A. DRILL HOLE DIAMETER TO BE 1.00-1.02.
B. PLATING TO BE 0.0001524-0.0004064 SILVER OVER 0.0508±0.0254 COPPER.
C. RECOMMENDED FINISH HOLE SIZE IS 0.94-0.97.
- △11 PCB HOLE RECOMMENDATIONS FOR ENIG PLATING:
A. DRILL HOLE DIAMETER TO BE 1.00-1.02.
B. PLATING TO BE 0.000051-0.000127 GOLD OVER 0.00305-0.00610 NICKEL ALL OVER 0.0508±0.0254 COPPER.
C. RECOMMENDED FINISH HOLE SIZE IS 0.94-0.97.
- △12 TO BE USED ON STANDARD PCB (NOTE 3) OR ENIG PLATED PCB (NOTE 11).



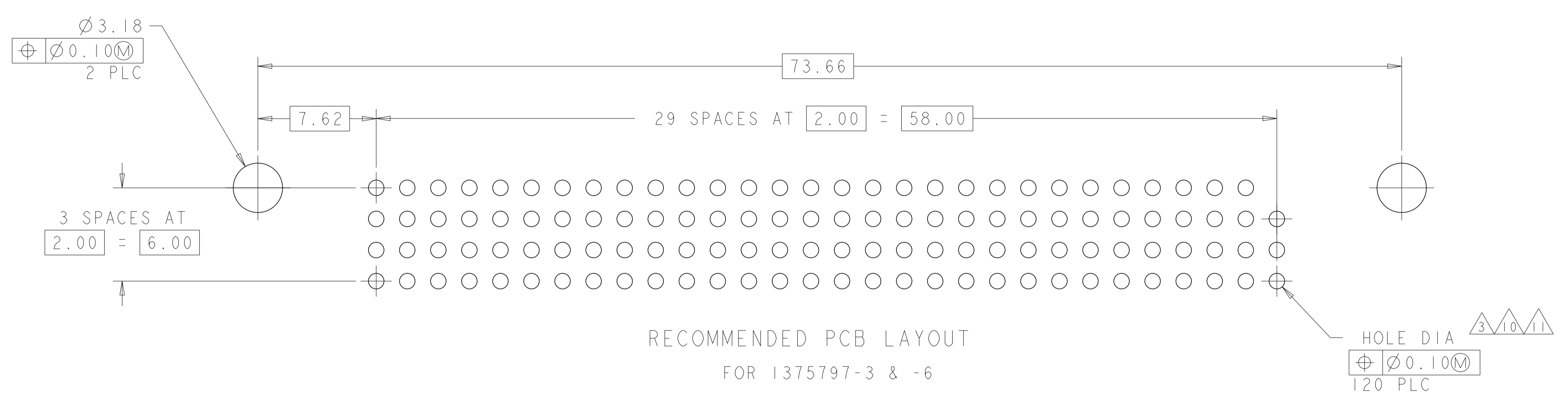
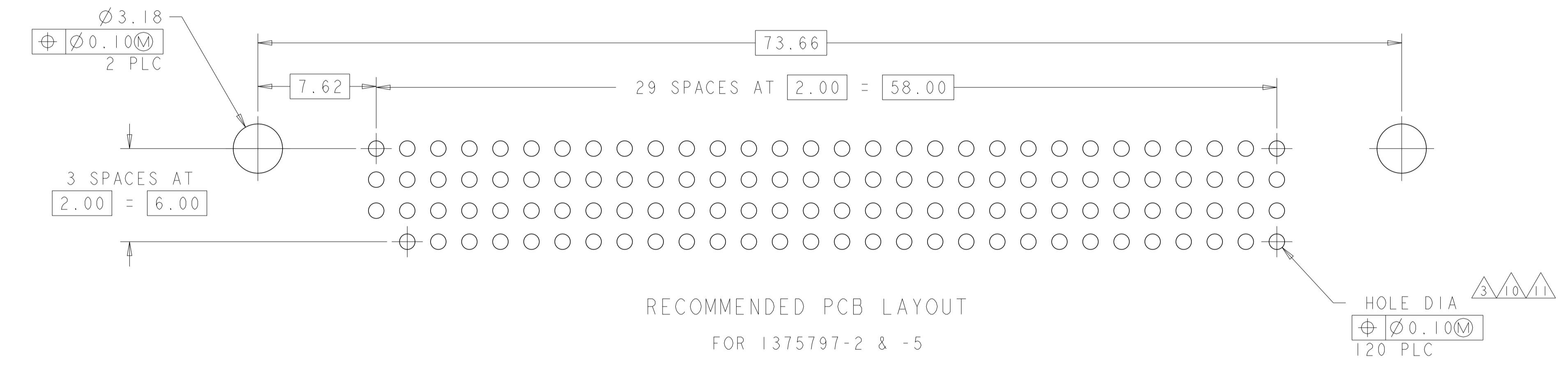
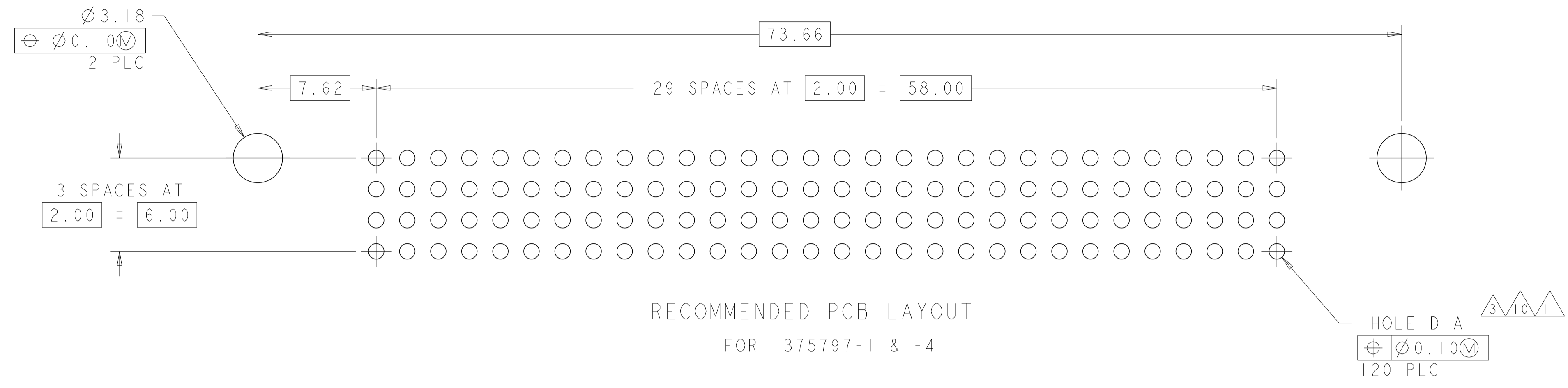
FINISH	KEYED CIRCUITS	PART NO
△9	△8 YES △1	1375797-6
△9	△8 YES △6	1375797-5
△9	△8 NO	1375797-4
△12	△2 YES △7	1375797-3
△12	△2 YES △6	1375797-2
△12	△2 NO	1375797-1

THIS DRAWING IS A CONTROLLED DOCUMENT.

DIMENSIONS:	TOLERANCES UNLESS OTHERWISE SPECIFIED:	DRW: W.G. LENKER 20JUN2000	CHK: L. BREKOSKY 15JAN2001
mm	0 PLC ±	APVD: J. OLSON 13JUN2001	NAME: ASSEMBLY, PC/104-PLUS, STACKTHROUGH CONTACTS, 2 STANDOFFS, PRESS FIT
∅	1 PLC ±0.01	PRODUCT SPEC: 108-1956	SIZE: 114-13021
∠	2 PLC ±	APPLICATION SPEC:	RESTRICTED TO: A100779C=1375797
MATERIAL:	ANGLES ±	WEIGHT:	CUSTOMER DRAWING
FINISH:	FINISH ±	SCALE: 5:1	SHEET 1 OF 2

TE Connectivity

REVISIONS				
P.	LTN.	DESCRIPTION	DATE	APVD.
-	-	SEE SHEET 1	-	-



THIS DRAWING IS A CONTROLLED DOCUMENT.		DWN W.G. LENKER 15JAN2001	20JUN2000	STE TE Connectivity
DIMENSIONS: mm		CHK L. BREKOSKY	13JUN2001	
TOLERANCES UNLESS OTHERWISE SPECIFIED:		APVD J. OLSON	13JUN2001	NAME ASSEMBLY, PC/104-PLUS, STACKTHROUGH CONTACTS, 2 STANDOFFS, PRESS FIT
0 PLC ±		PRODUCT SPEC	108-1956	
1 PLC ±0.01		APPLICATION SPEC	114-13021	SIZE A100779C=1375797
2 PLC ±		WEIGHT	-	RESTRICTED TO
3 PLC ±		CUSTOMER DRAWING	SCALE 5:1	SHEET 2 OF 2
4 PLC ±		REVISION	REV K	
ANGLES ±				
FINISH				