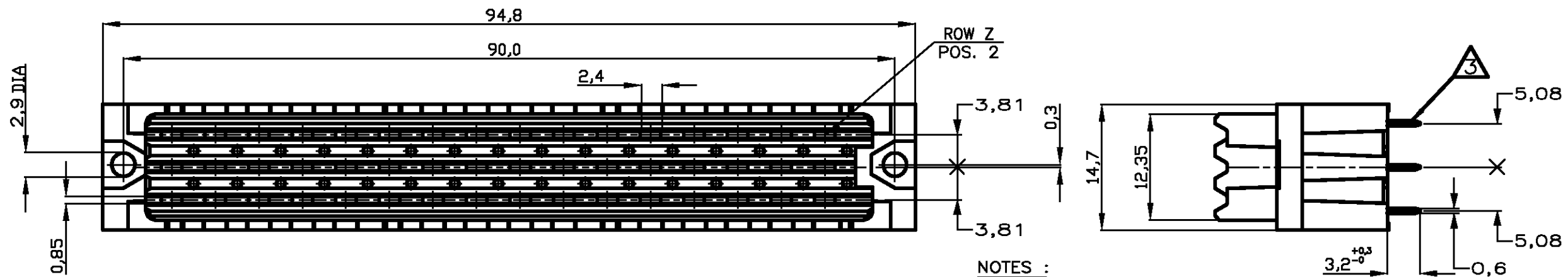
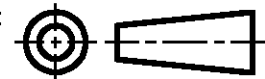


DO NOT SCALE
DIMENSIONS IN mm

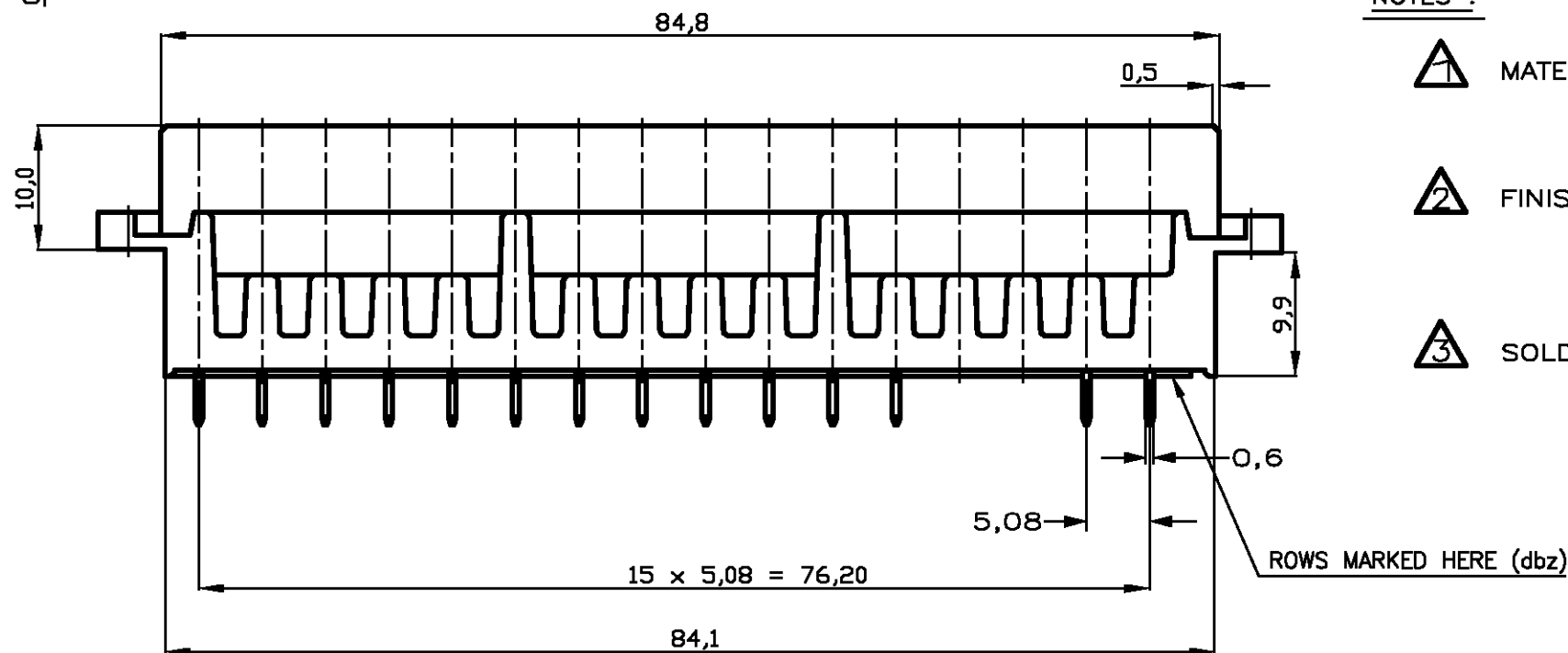
METRIC

THIRD ANGLE
PROJECTION



NOTES :

- △ MATERIAL :
- HOUSING : POLYESTER G.F.
COLOUR : GREY.
- CONTACTS : PHOSPHORBRONZE.
- △ FINISH :
-4 AT CONTACT AREA Au OVER Ni, PERFORMANCE LEVEL II,
ACC. IEC 603-2. AT POST AREA Sn/Pb OVER Ni.
- △ SOLDERPOSTS SUITABLE FOR 0,80^{+0,05} OR 1,0^{+0,1} NOM DIA HOLES.



32	30	28	26	24	22	20	18	16	14	12	10	8	6	4	2	POS
X	X	X	X	X	X	X	X	X	X	X	X	o	o	X	X	dbz
X	o	X	o	X	o	X	o	o	X	X	X	o	o	X	X	ROW
X	X	X	X	X	X	X	X	X	X	X	X	o	o	X	X	

AN ASTERISK „X” DENOTES A CONTACT.

SEE NOTE △ FINISH	SEE NOTE △ MATERIAL	PARTNUMBER 0-1377391-4
-------------------------	---------------------------	---------------------------

				CUSTOMER DRAWING		FOR REFERENCE ONLY WILL NOT BE UPDATED	
				© COPYRIGHT 20 - BY Tyco Electronics EC N.V. ALL INTERNATIONAL RIGHTS RESERVED. AMP PRODUCTS MAY BE COVERED BY U.S. AND FOREIGN AND/OR PATENTS PENDING.			
				THIS DRAWING IS UNPUBLISHED RELEASED FOR PUBLICATION			
				Tyco Electronics EC N.V. Oostkamp - Belgium			
				NAME 37 POS. TYPE F FEMALE SELECTIVE LOADED B.T.B. SOLDER CONNECTOR			
B2	SR10-0464-02	FB	FB	4 nov '02			
B1	SR10-0415-02	BC	BC	17 sep '02			
B	SR10-0399-02	BC	BC	08 sep '02			
A	EH00-1069-00	R.v.H	R.F.	15-11-00			
LTR.	REVISION RECORD	DR.	CHK.	DATE			
DR.:	B.COLPAERT	CHK.:	B.COLPAERT	APP.:	B.COLPAERT	DWG.No.	C-1377391
DATE:	-	DATE:	-	DATE:	-	REV.LTR.	B2
						SHEET	1 of 1
						A3	

8 | 7 | 6 | 5 | 4 | 3 | 2 | 1