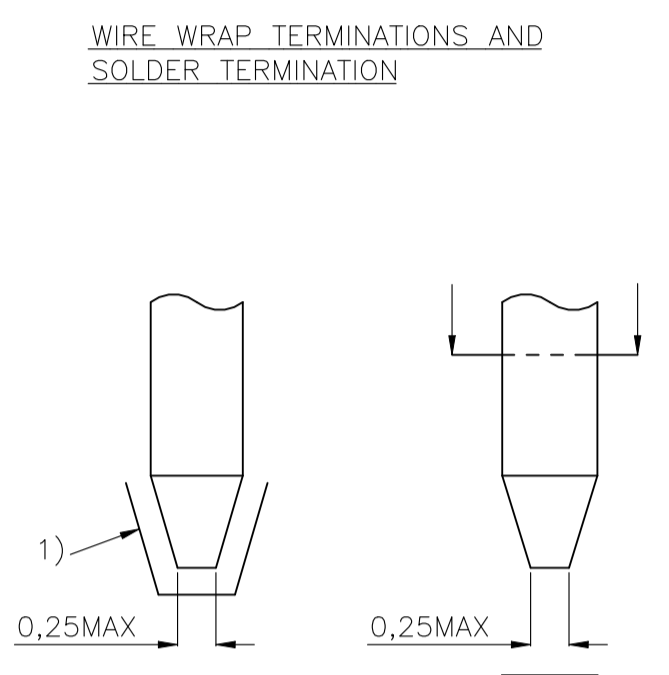
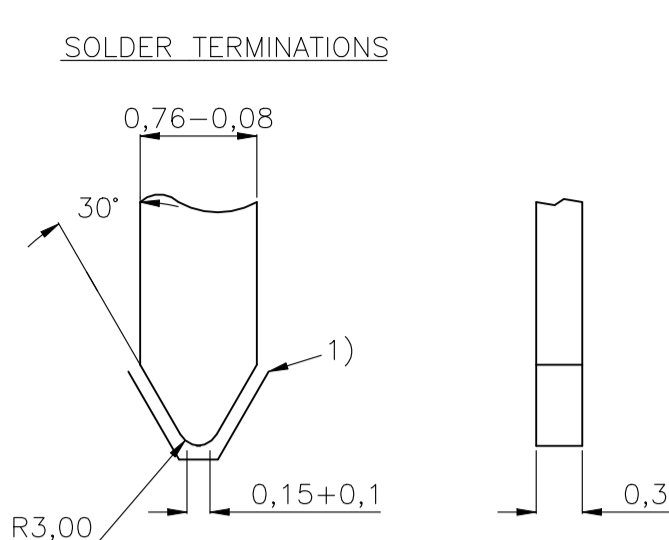
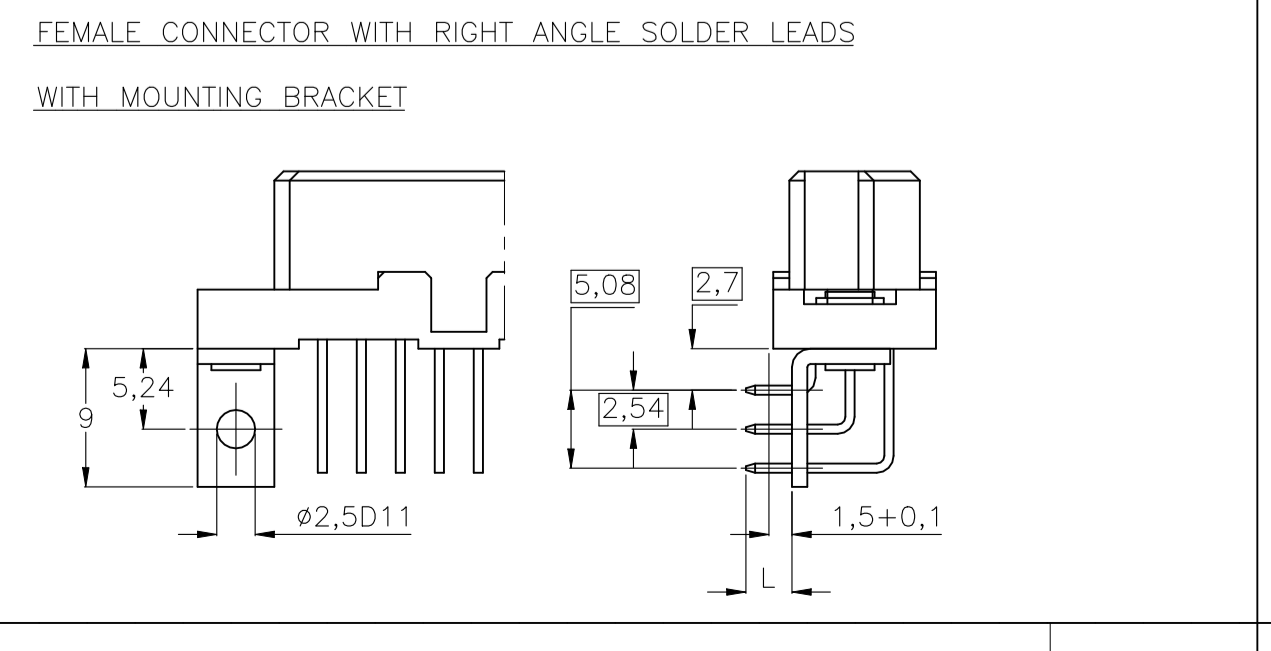
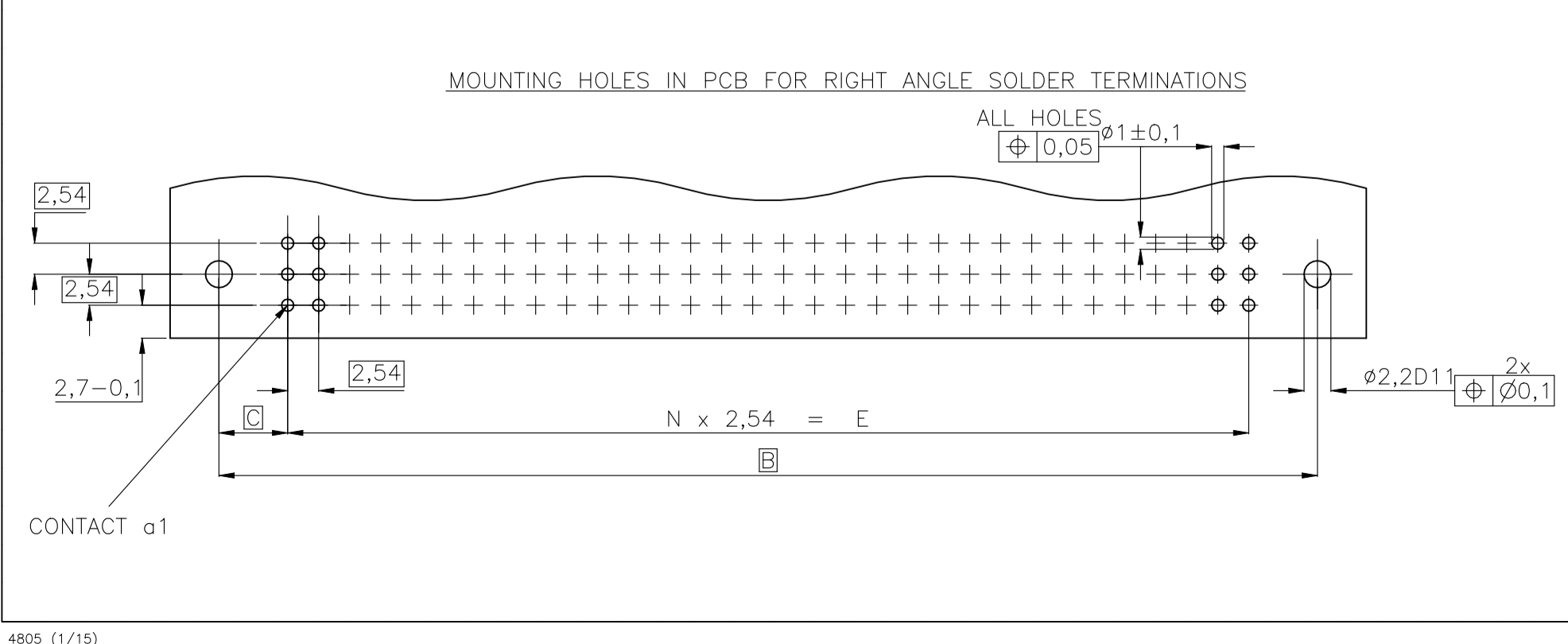
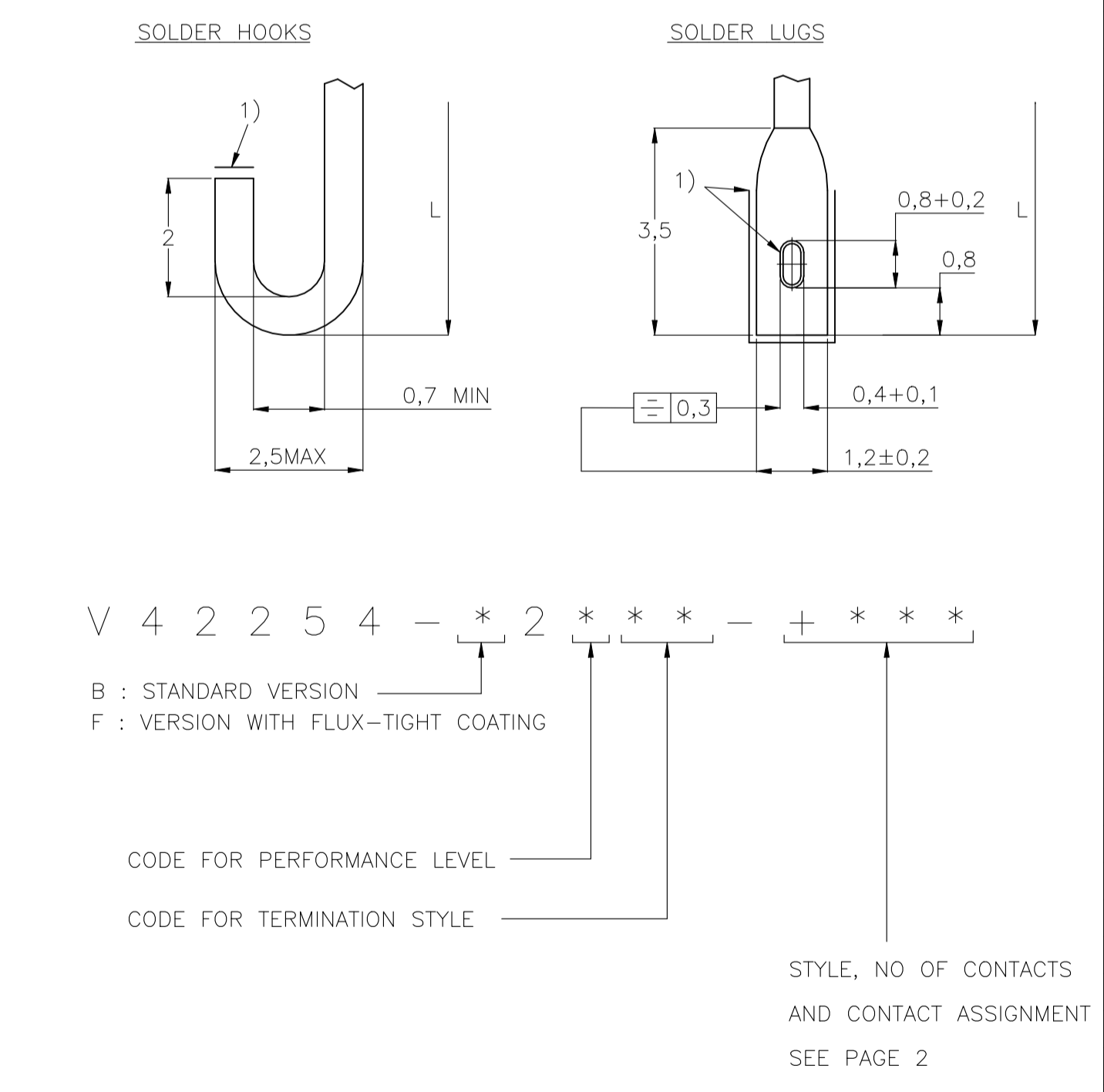
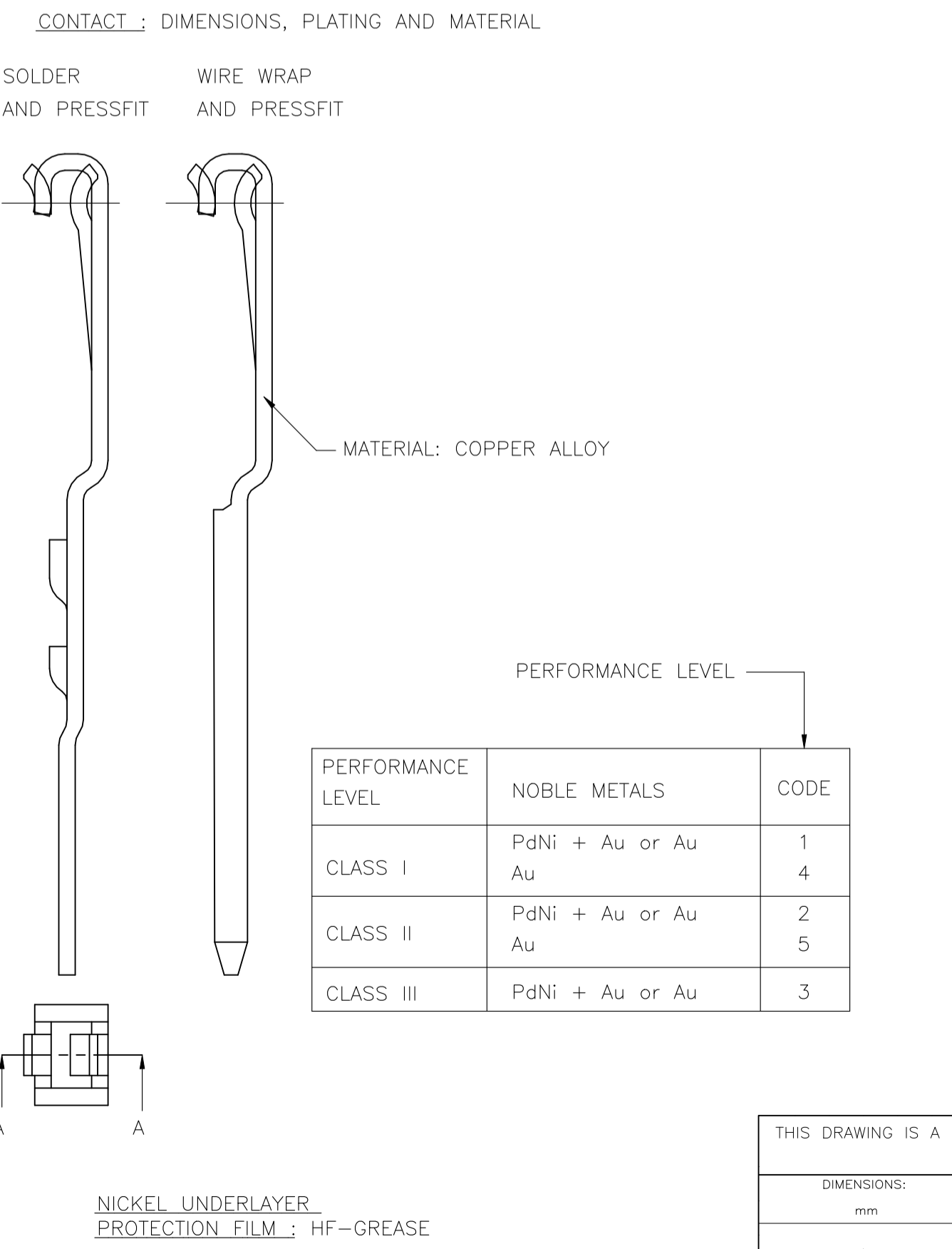
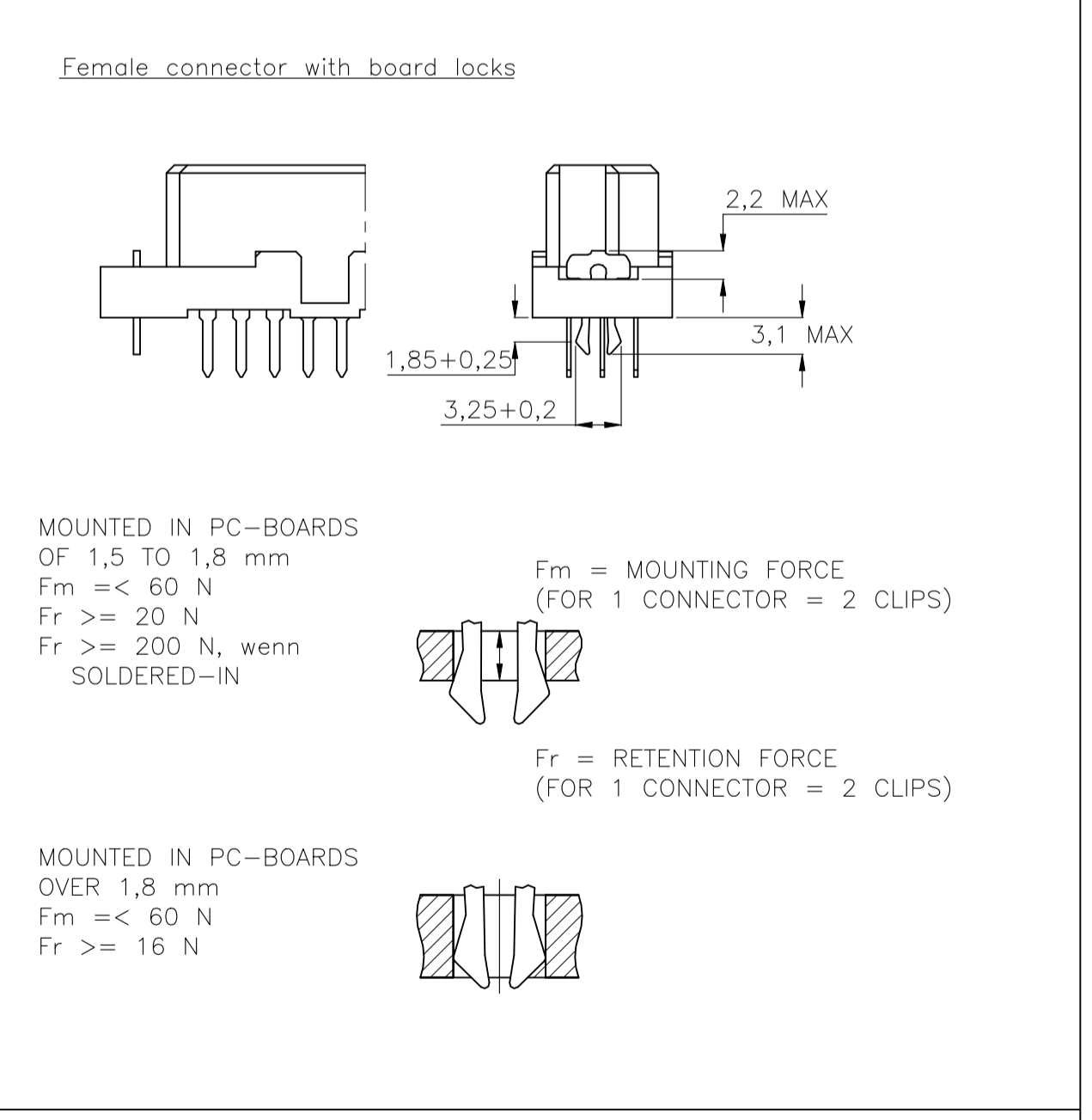
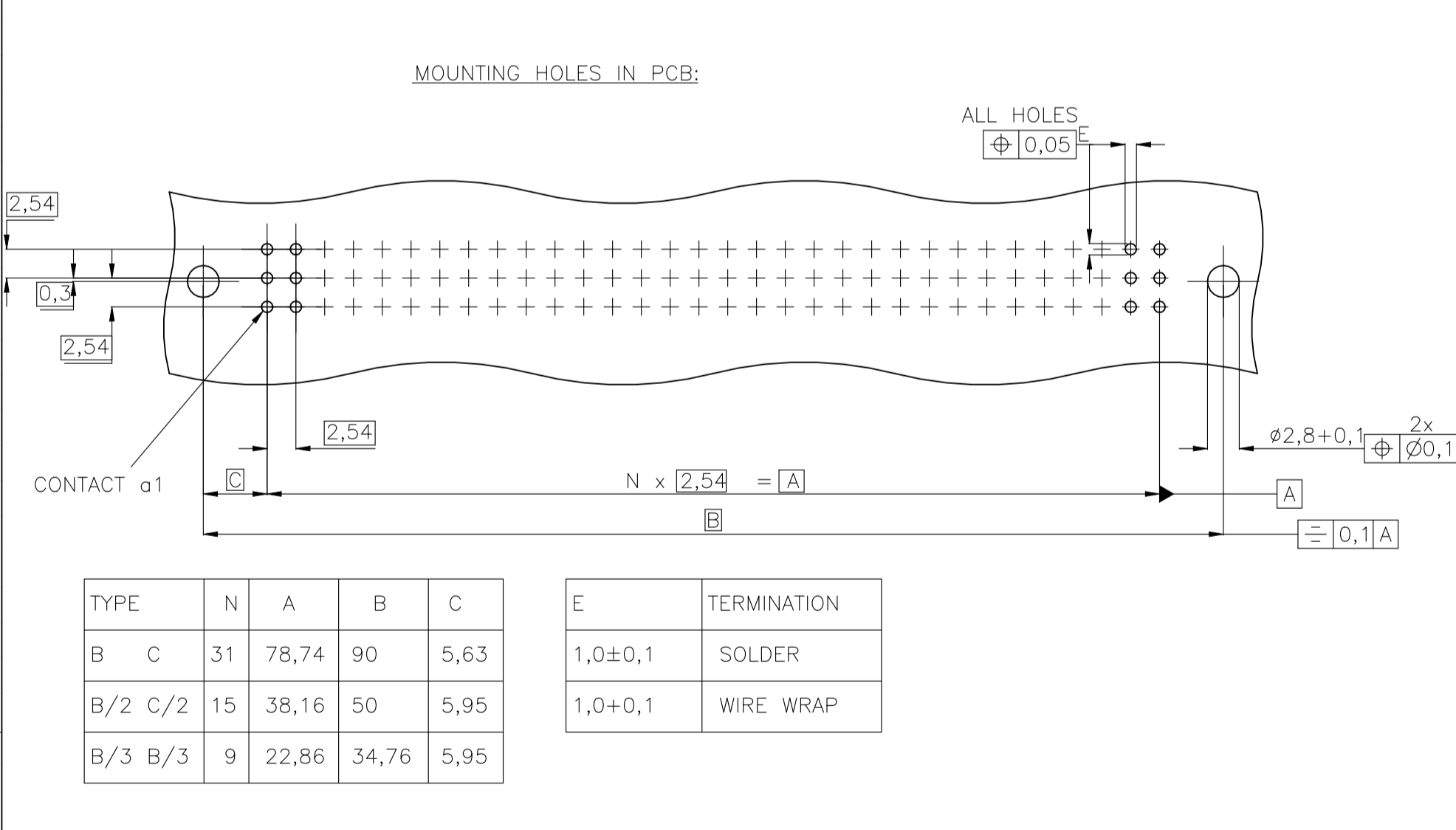


REVISIONS					
P	LTR	DESCRIPTION	DATE	DWN	APVD
C	REVISED PER ECN-22-145274		20SEP2022	RZ	HL



TERMINATION STYLES		L	CODE
SOLDER	SOLDER	2,9±0,3	01
		3,7±0,3	02
		4,5±0,3	03
SOLDER	SOLDER	7,3±0,3	04
		13+0,5	40
SOLDER	WIRE WRAP	5,5±0,3	30
		10±0,5	
SOLDER	SOLDER HOOKS	5,5±0,3	35
		10-0,5	
SOLDER	SOLDER LUGS	1,55-0,4	00
		3-0,4	
SOLDER	SOLDER RIGHT ANGLE	13+0,5	10
		17+0,5	
SOLDER	SOLDER RIGHT ANGLE WITH MOUNTING BRACKET	4+0,5	60
		13+0,5	
SOLDER	SOLDER RIGHT ANGLE WITH SN	17+0,5	61
		6+0,5	
SOLDER	SOLDER RIGHT ANGLE WITH SN	6+0,5	66
		6+0,5	
SOLDER	SOLDER RIGHT ANGLE WITH SN	6+0,5	67
		6+0,5	
SOLDER	SOLDER RIGHT ANGLE WITH SN	6+0,5	69
		6+0,5	
SOLDER	SOLDER RIGHT ANGLE WITH SN	6+0,5	70
		6+0,5	



THIS DRAWING IS A CONTROLLED DOCUMENT.

DIN 14FEB89

CUVELIER

TE Connectivity

REC ASSEMBLY EUROCARD TYPES B,C AND SHORT VERSIONS (PN:V42254-B2\*\*\*-C\*\*\*-7626)

SIZE A1

CAGE CODE 00779

DRAWING NO. 1393640-1

RESTRICTED TO

CUSTOMER DRAWING

SCALE NTS

SHEET 1 of 2

REV C

