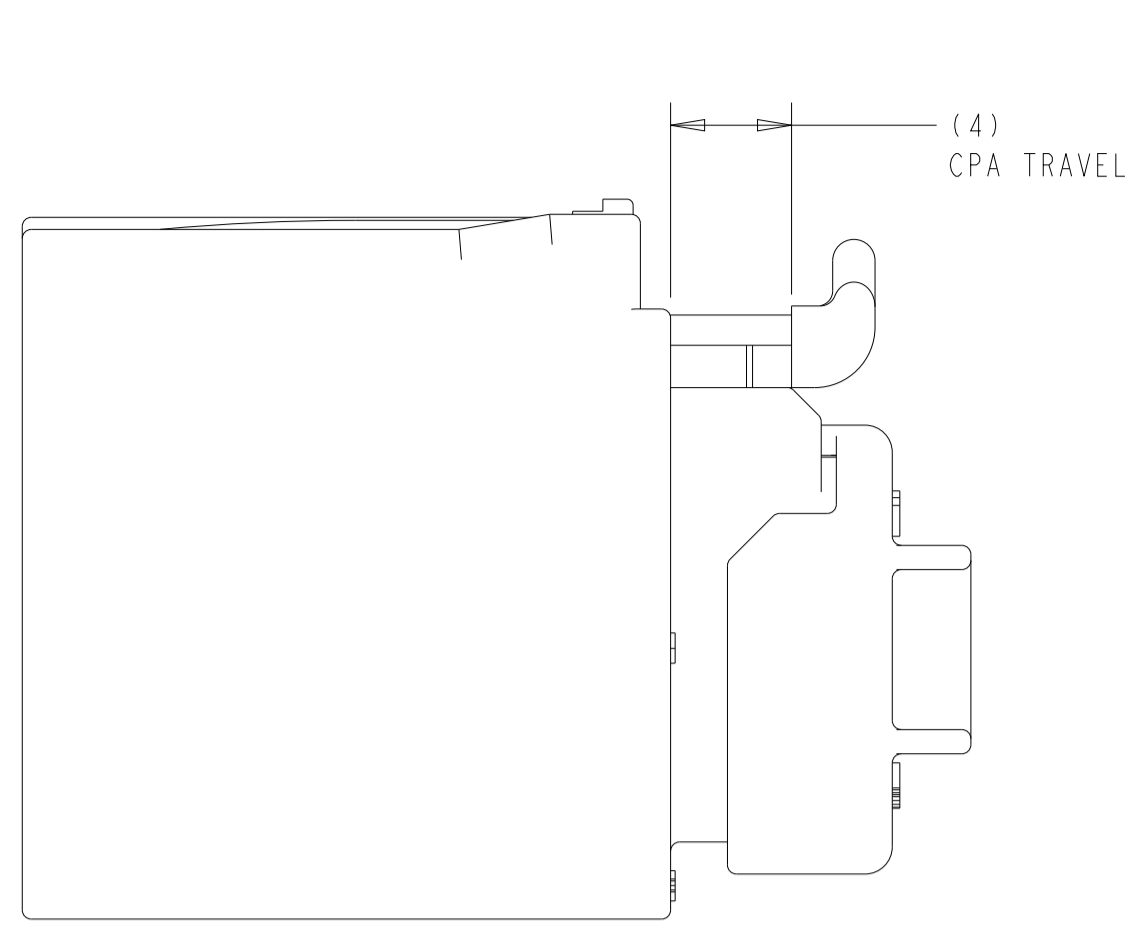
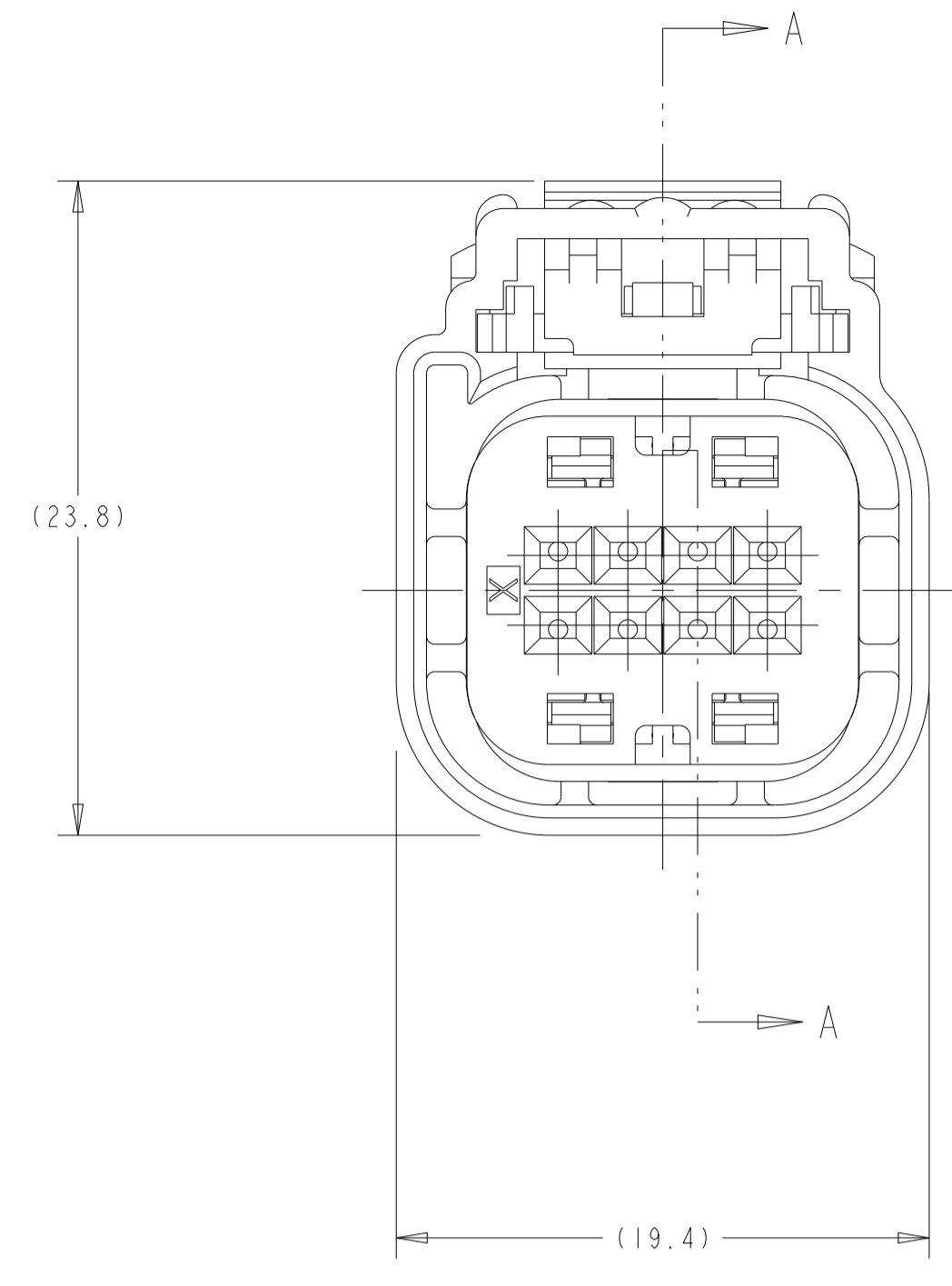
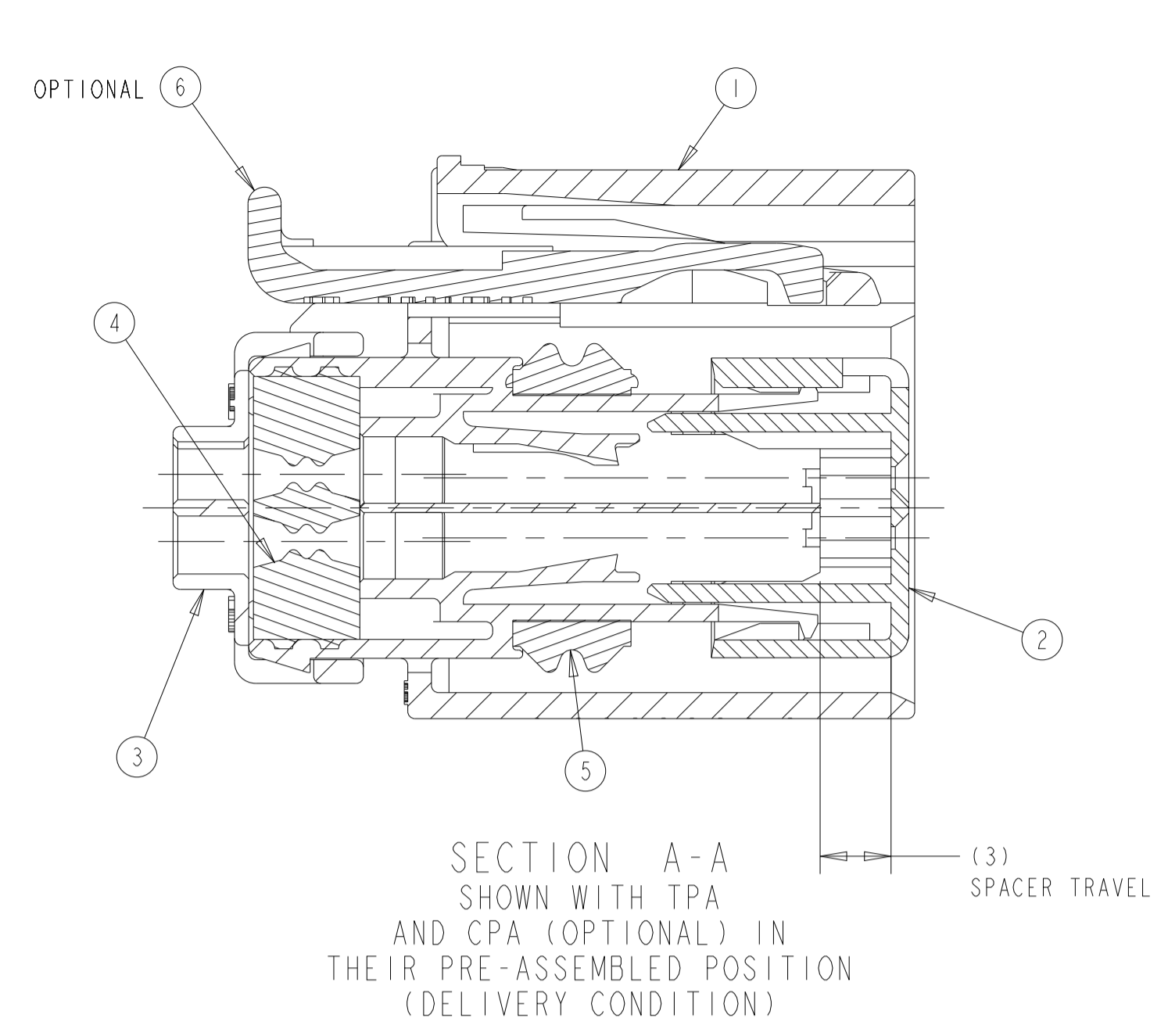
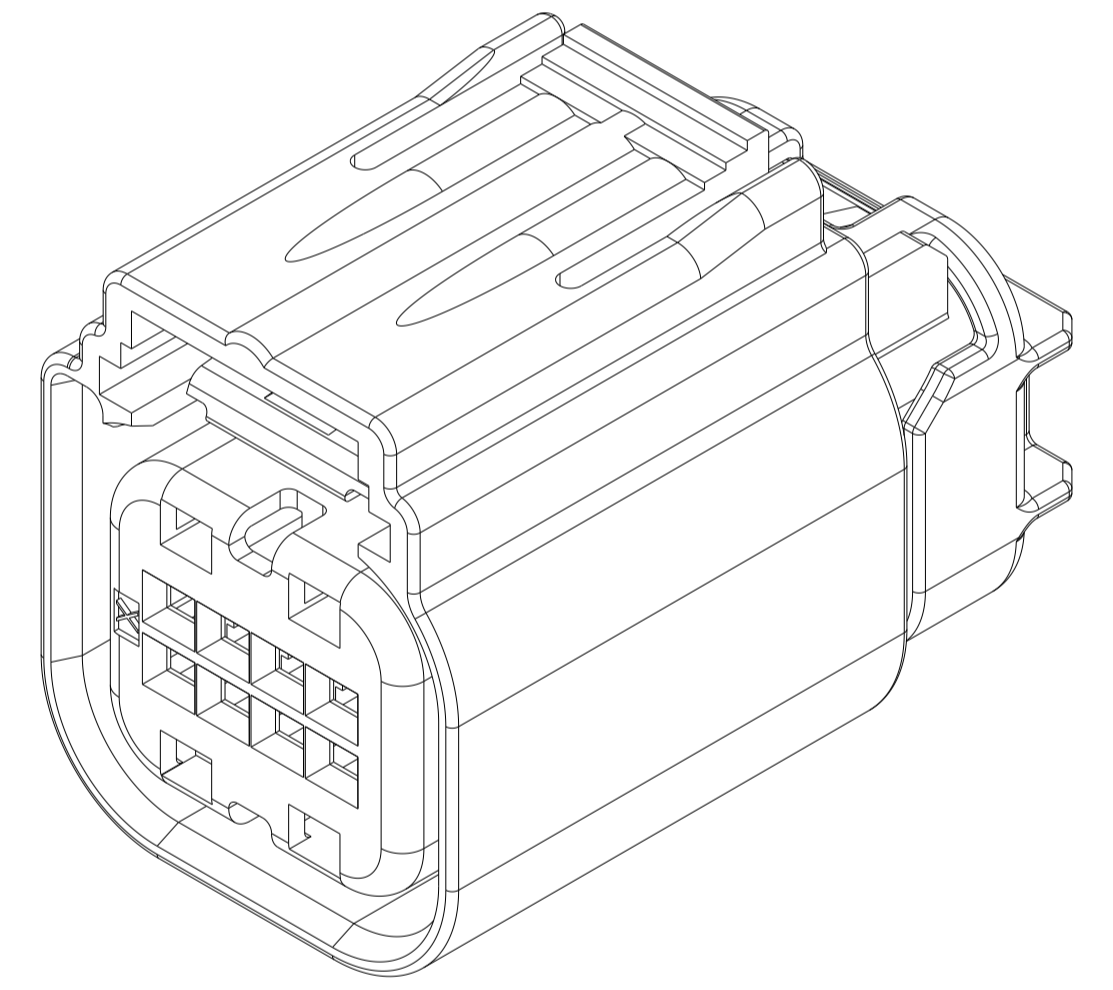
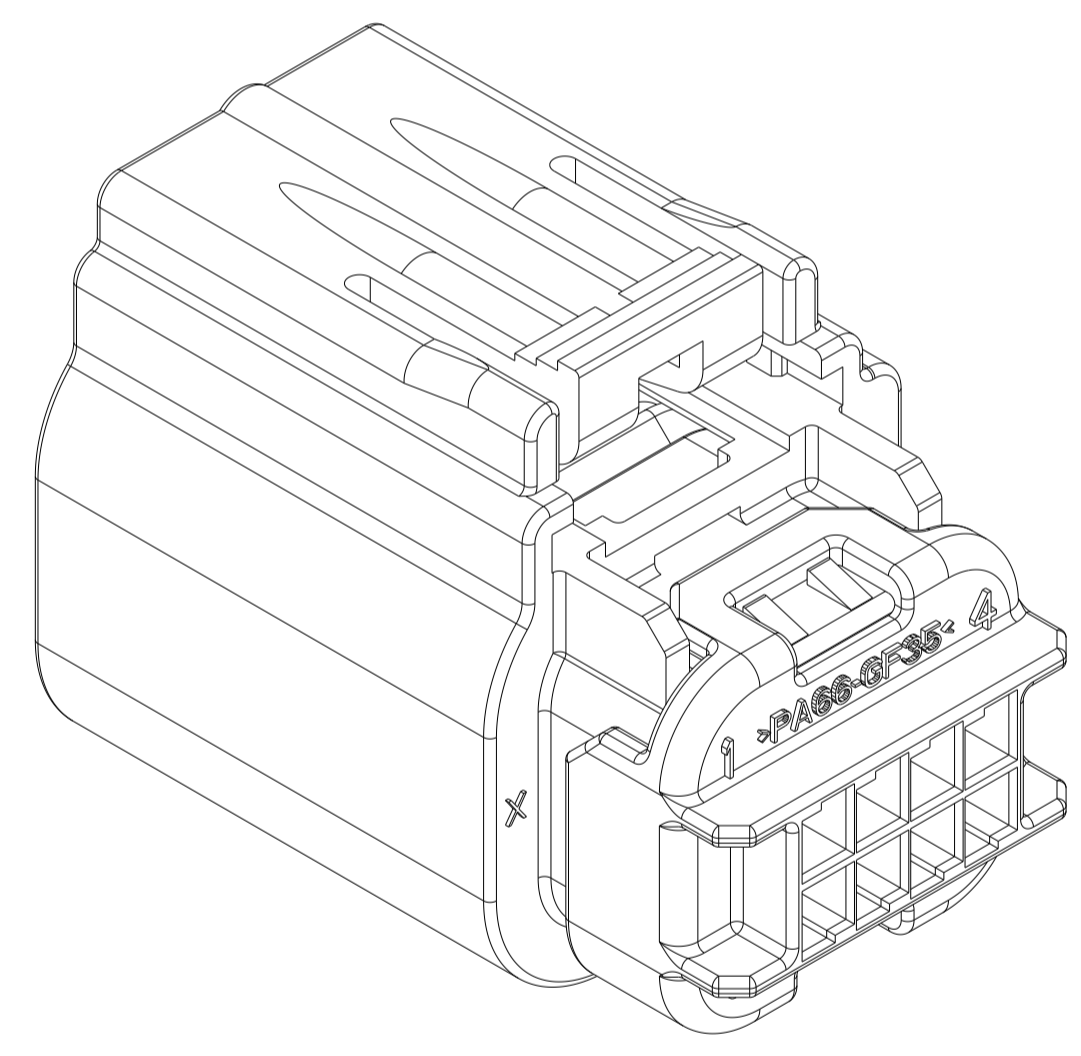
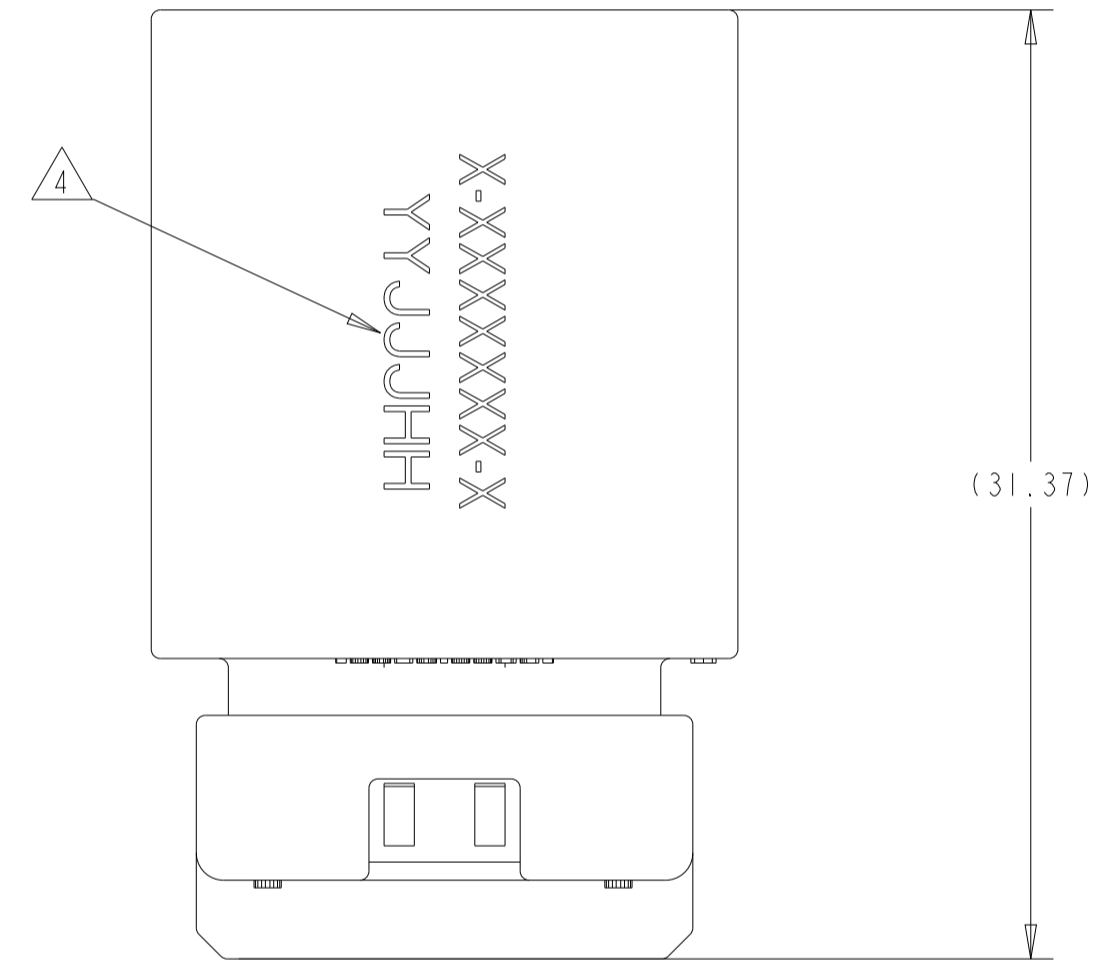


REVISIONS					
P	LTN	DESCRIPTION	DATE	DWN	APVD
J9		REV PER ECN-22-184459	28NOV2022	SMR	SAT
J10		REV PER ECN-23-199650	10MAR2023	SMR	DM
J11		REV PER ECN-23-217950	16JUN2023	LM	HC
J12		REV PER ECN-23-238957	13NOV2023	SR	HC

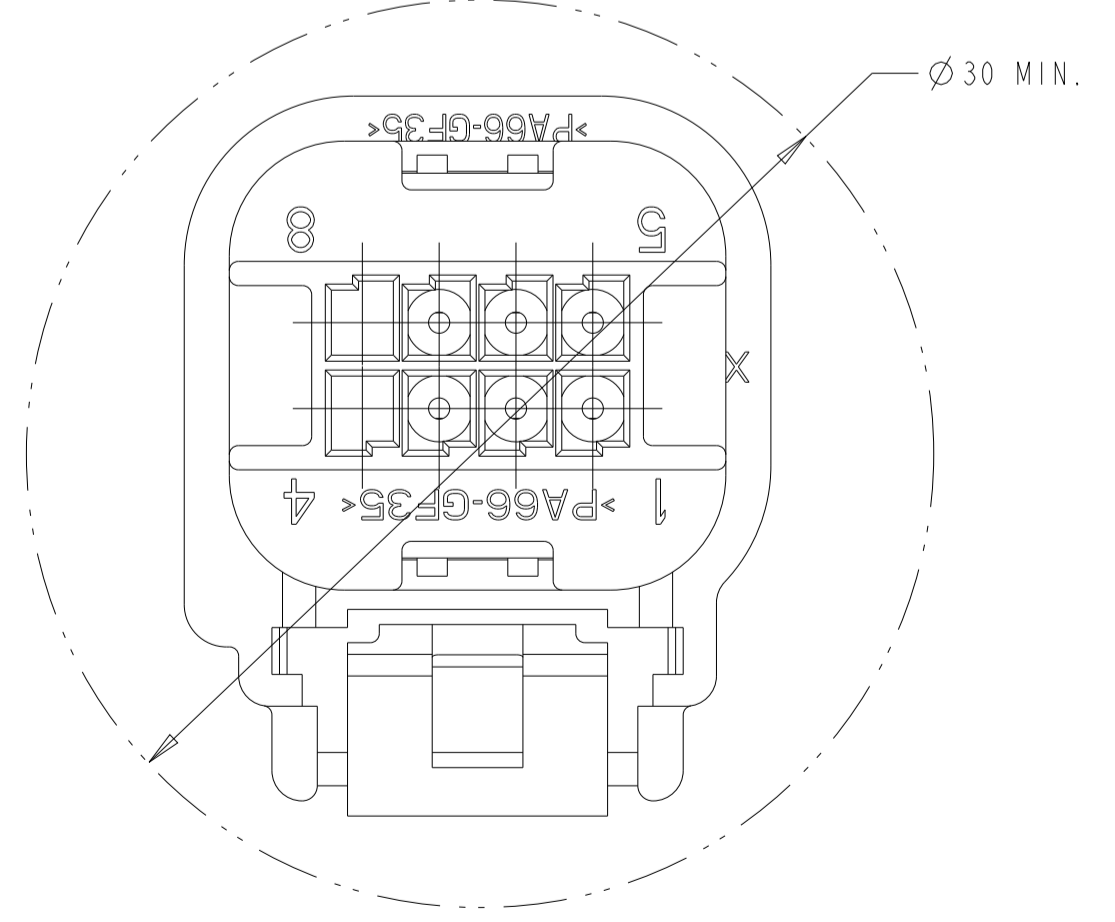


COVER CHART								
				5	6		2-1411001-0	
				6	7	8	1-1411001-9	
1	2	3					1-1411001-8	
1	2						1-1411001-7	
1	2	4					1-1411001-6	
				5	6		1-1411001-5	
					7		1-1411001-4	
				6	7		1-1411001-3	
1	2	3	4				1-1411001-2	
				5	6	7	1-1411001-1	
		3					1-1411001-0	
				5	6	7	8	1411001-9
		3	4					1411001-8
			4					1411001-7
								1411001-6
		3	4				8	1411001-5
			4				8	1411001-2
								1411001-1
1	2	3	4	5	6	7	8	ASSEMBLY PART NUMBER
CAVITIES WITH A NUMBER INDICATES CLOSED TERMINAL HOLE LOCATIONS								
BLANK CAVITIES INDICATE OPEN TERMINAL HOLE LOCATIONS								



KEYING OPTION "B" SHOWN
SEE NOTE 5 FOR APPLICABLE
HEADER INTERFACE INFORMATION

- APPLICABLE TERMINAL PART NUMBERS (SOLD SEPARATELY):
FOR TIN AND SILVER APPLICATIONS: 1393367 AND 1393366.
FOR GOLD APPLICATIONS: 1393365 AND 1393364.
FOR TERMINATION AND REELING DIRECTION
SEE DRAWINGS 1393367, 1393366, 1393365, AND 1393364.
- COMPATIBLE WIRE SIZES FOR MAT SEAL DESIGN 1.19 TO 2.06 O.D.
(22-18 AWG, 0.35-0.75 mm²)
- TPA IS SHIPPED IN PRE-LOADED POSITION. SOME MAY BECOME FULLY SEATED DURING SHIPPING. USE TYCO INSTRUCTION SHEET 408-10128 TO REPOSITION TPA TO PRE-LOADED POSITION.
- TE CONNECTIVITY ASSEMBLY PART NUMBER (X-XXXXXX-X) AND TRACEABILITY CODE (YY = TWO DIGIT YEAR, JJJ = JULIAN DAY, HH = TWO DIGIT MILITARY HOUR) ARE PRINTED IN THIS LOCATION.
- APPLICABLE HEADER INTERFACE DRAWING 1488342.
- ASSEMBLIES ARE BULK PACKAGED.
- OPTIONAL CPA IS SHIPPED IN PRE-LOADED POSITION.
- PART NUMBER 1411001-2 SHOWN.



MINIMUM FEED THRU CONDITION
WITH 1mm CLEARANCE ALL AROUND

ITEM	QUANTITY	DESCRIPTION	COLOR	MATERIAL
1	6	CPA	RED	PBT-GF15
2	4	PERIMETER SEAL	LIGHT GREEN	SILICONE
3	4	GROMMET	BROWN	SILICONE
4	3	GROMMET COVER	BLACK	PA66-GF35
5	2	TPA	RED	PBT+PC-GF30
6	1	PLUG, KEY B	BLACK	PA66-GF35

THIS DRAWING IS A CONTROLLED DOCUMENT.		DWN: 01OCT2001	
DIMENSIONS: mm		CHK: M. HITCHCOCK 12NOV2001	
TOLERANCES UNLESS OTHERWISE SPECIFIED:		APVD: A. SHUMAN 12NOV2001	NAME: 2X4 SEALED, FEMALE PLUG ASSEMBLY
0 PLC ±0.3	1 PLC ±0.10	APPLICATION SPEC	SIZE: 114-13150
2 PLC ±0.10	3 PLC ±0.10	WEIGHT	SCALE: 4:1
4 PLC ±0.10	ANGLES ±0.5°	CUSTOMER DRAWING	SHEET 1 OF 1
MATERIAL	FINISH		REV: J12