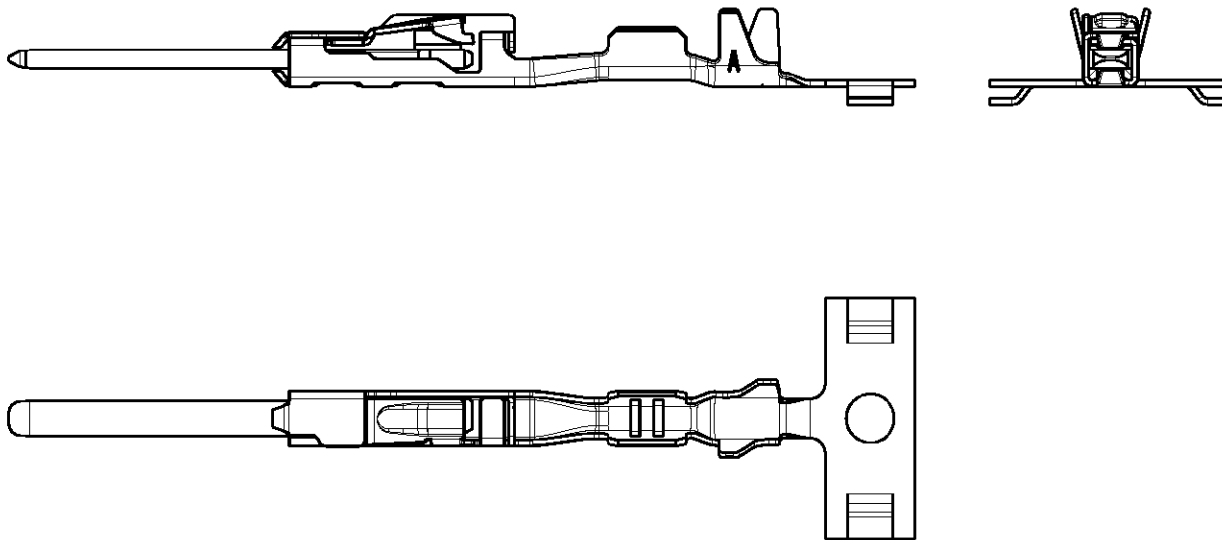


LOC	DIST	REVISIONS				
P	LTR	DESCRIPTION	DATE	DWN	APVD	
A1	-					
	A1	NEW DRAWING	02JUL04	R.M.	-	



REFER TO PRODUCT GROUP DRAWING 1418754
 FOR LATEST INFORMATION ON THE PART
 Für aktuelle Information zum Teil wird auf die
 Produkt - Gruppenzeichnung 1418754 hingewiesen

THIS DRAWING IS UNPUBLISHED. 2001

COPYRIGHT 2001 BY TYCO ELECTRONICS CORPORATION. ALL RIGHTS RESERVED.

DIMENSIONS: mm	DWN	R. Meier	02JUL04	MATERIAL	-	FINISH	-
	CHK	-	-	tyco Electronics AMP GmbH D - 64625 Bensheim			
TOLERANCES UNLESS OTHERWISE SPECIFIED:	APVD	-	-				
	0 PLC	±	-	SIZE	CAGE CODE	DRAWING NO	RESTRICTED TO
1 PLC	±	-	-	A 4	00779	©=1418758	-
2 PLC	±	-	PRODUCT SPEC	CUSTOMER DRAWING			
3 PLC	±	-	-				
4 PLC	±	-	APPLICATION SPEC	REV A1			
ANGLES	±	-	-				
			WEIGHT				

