

THIS DRAWING IS A CONTROLLED DOCUMENT.

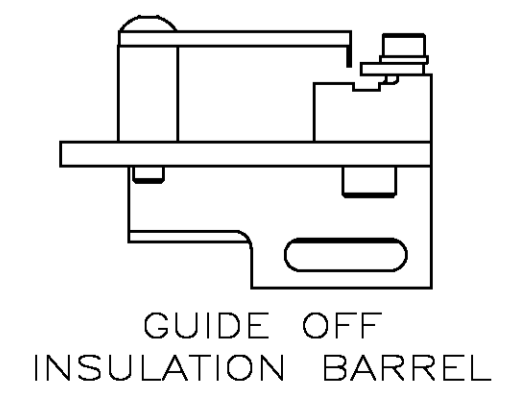
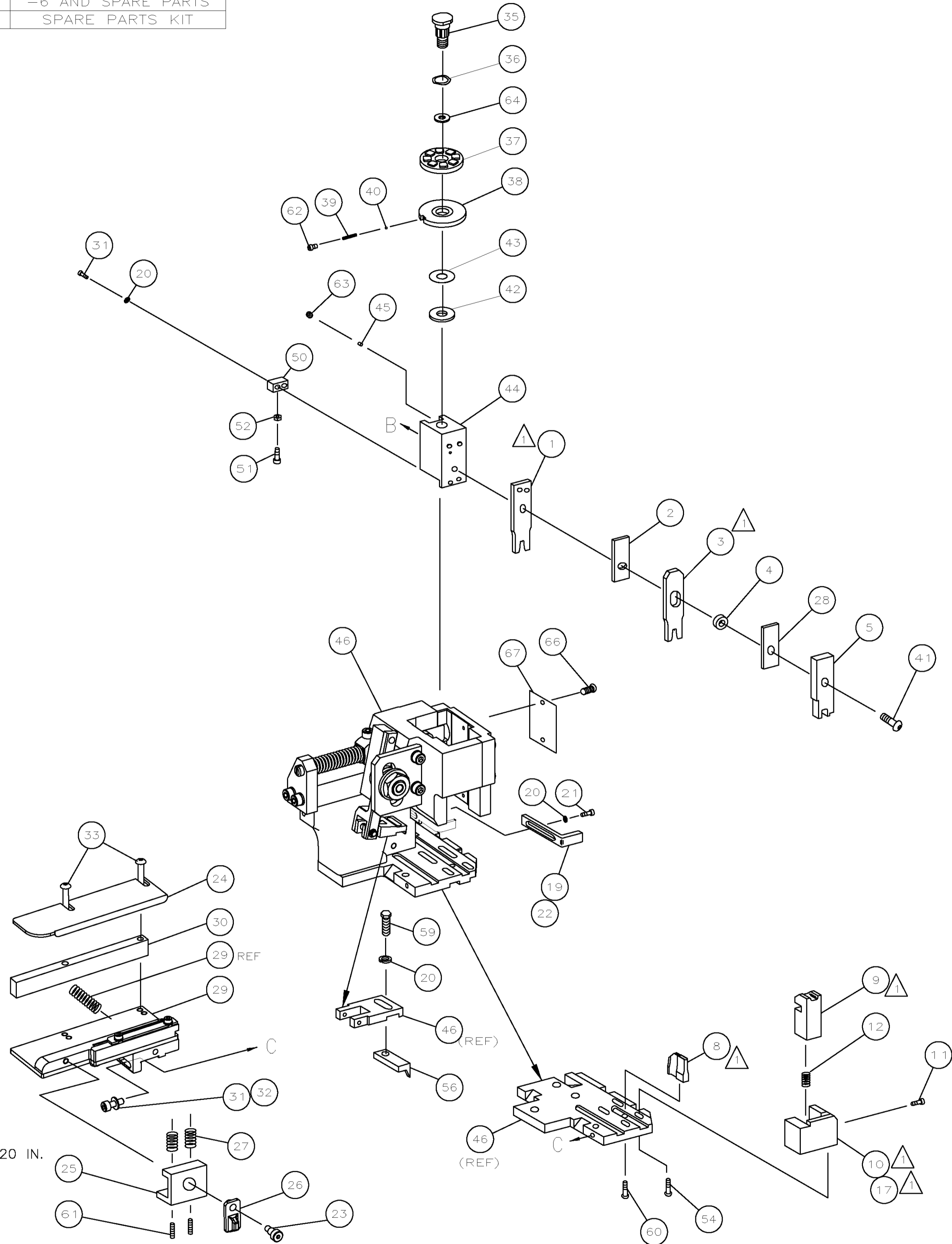
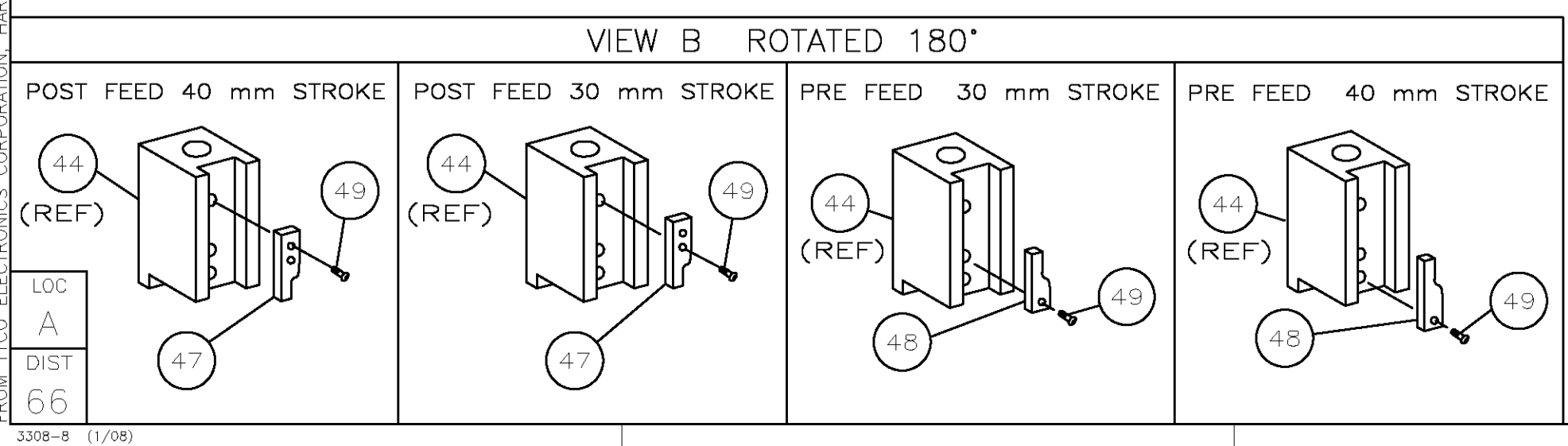
PART NO 1426506

THIS INFORMATION IS CONFIDENTIAL AND PROPRIETARY TO TYCO ELECTRONICS CORPORATION AND ITS WORLDWIDE SUBSIDIARIES AND AFFILIATES. IT MAY NOT BE DISCLOSED TO ANY OTHER PARTY WITHOUT THE WRITTEN AUTHORIZATION FROM TYCO ELECTRONICS CORPORATION, HARRISBURG, PENNSYLVANIA, USA.

PART NUMBER	REV	FIRST USED	TERMINATOR	FEED TYPE	DESCRIPTION
1426506-1	B	-	LEADMAKER	MECH POST FEED	CUTS CARRIER
1426506-2	B	-	BENCH	MECH PRE FEED	CUTS CARRIER
1426506-6	B	-	LEADMAKER	MECH POST FEED	CONTINUOUS CARRIER
7-1426506-1	B	-	LEADMAKER	MECH POST FEED	-1 AND SPARE PARTS
7-1426506-2	B	-	BENCH	MECH PRE FEED	-2 AND SPARE PARTS
7-1426506-6	B	-	LEADMAKER	MECH POST FEED	-6 AND SPARE PARTS
7-1426506-7	A	-	-	-	SPARE PARTS KIT

CRIMP DATA AMP TERMINAL AMP CRIMP SPECS			
TERMINAL NAME: REC. FASTON, PIGGYBACK, .110 SRS			
CRIMP	SIZE	TYPE	RANGE
WIRE	1.78 [.070 IN]	F	22-18 AWG
INSUL	3.56 [.140 IN]	0	3.05 MAX [.120 IN MAX]
WIRE STRIP LENGTH		APPL INSTRUCTION	
4.32 [.170 IN]		408-8322	
TERMINAL APPL SPEC	114-2082	FEED	11.20 [.440 IN]
TERMINALS APPLIED			
62003	-	-	-
63242	-	-	-
63961	-	-	-
1217145-1	-	-	-
1217083	-	-	-
WIRE SIZE mm² AWG			
CRIMP HEIGHT		PIN PN AND LENGTH [IN]	
18 AWG	1.17 ±0.05 [.046 ±.002 IN]	3-354779-0 [.3140]	
20 AWG	1.02 ±0.05 [.040 ±.002 IN]	4-354779-4 [.3210]	
22 AWG	0.94 ±0.05 [.037 ±.002 IN]	5-354779-2 [.3250]	
SET UP GAGE 458637-3 LAYOUT L1426506			

- 1. RECOMMENDED SPARE PARTS.
- 2. GREASE RAM, CAM, CAM FOLLOWER AND FEED ROD LIGHTLY.
- 3. LUBRICATE DAILY PER THE APPLICATOR INSTRUCTION SHEET SUPPLIED WITH THE APPLICATOR.
- 4. INSULATION RANGE OF 62003 TO BE .060-.100 IN. INSULATION RANGE OF 63242, 63961 & 1217083 TO BE .080-.120 IN.



QTY REQD PER ASSY	PART NO	DESCRIPTION	ITEM NO						
-	1	1	1	1	1	1	1426506	PRINT, APPLICATOR LOG SHEET	73
-	1	1	1	1	1	1	1338705-1	DOCUMENTATION PACKAGE	72
-	-	-	-	-	-	-	-	-	70
-	-	-	-	-	-	-	-	-	69
-	-	-	-	-	-	-	-	-	68
-	1	1	1	1	1	1	461264-1	PLATE, IDENTIFICATION	67
-	2	2	2	2	2	2	21017-2	SCR,DRIVE(#2x.19)ID PLATE	66
-	-	-	-	-	-	-	-	-	65
-	1	1	1	1	1	1	986950-1	WASHER, FLAT PRECISION	64
-	1	1	1	1	1	1	3-18031-0	SCR,SKT SET(M6X6)RAM	63
-	1	1	1	1	1	1	18023-9	SCR,SHC(M4X6)INS DISC	62
-	2	2	2	2	2	2	2-18032-5	SCR,SET(M5X20)DRAG	61
-	1	1	1	1	1	1	18024-7	SCR,BHC(M4X10)ANVIL	60
-	1	1	1	1	1	1	5-18022-2	SCR,HEX(M4X8)FEED FINGER	59
-	-	-	-	-	-	-	-	-	58
-	-	-	-	-	-	-	-	-	57
-	1	1	1	1	1	1	1338685-1	PAWL, FEED	56
-	-	-	-	-	-	-	-	-	55
-	2	2	2	2	2	2	18024-8	SCR,BHC(M4x12)SHEAR HOLDER	54
-	-	-	-	-	-	-	-	-	53
-	1	1	1	1	1	1	18030-1	NUT,HEX(M3)HOLD DOWN	52
-	1	1	1	1	1	1	811242-5	BUMPER, HOLDDOWN	51
-	1	1	1	1	1	1	690753-2	SPACER, TONKER	50
-	1	1	1	1	1	1	18024-3	SCR,BHC(M3X10)CAM	49
-	-	-	-	-	-	-	-	-	48
-	1	-	-	-	-	-	1338675-1	CAM, PRE FEED 30 & 40 mm ST	47
-	1	-	-	-	-	-	1338676-1	CAM, POST FEED 30 & 40 mm ST	46
-	1	1	1	1	1	1	1320999-3	APPLICATOR BASIC SUBASSY	45
-	1	1	1	1	1	1	690191-1	PLUG, NYLON	44
-	1	1	1	1	1	1	1338660-1	RAM	43
-	1	1	1	1	1	1	690125-1	WASHER, LAMINATED	42
-	1	1	1	1	1	1	690124-1	WASHER, RAM	41
-	1	1	1	1	1	1	2-18024-6	SCR,BHC(M8X25)RAM	40
-	1	1	1	1	1	1	23241-1	BALL, STEEL	39
-	1	1	1	1	1	1	2-22278-7	SPRING, COMPRESSION	38
-	1	1	1	1	1	1	1320922-1	DISC, INSULATION	37
-	1	1	1	1	1	1	354777-1	WIRE DISC, PLASTIC	36
-	1	1	1	1	1	1	22480-5	WASHER, SPRING	35
-	1	1	1	1	1	1	690212-1	POST, RAM	34
-	-	-	-	-	-	-	-	-	33
-	2	2	2	2	2	2	1-18024-0	SCR,BHC(M4X20)STRIP GUIDE	32
-	1	1	1	1	1	1	18027-2	WASHER, FLAT(M4)	31
-	3	3	3	3	3	3	1-18023-2	SCR,SKT CAP(M4X12)MOUNT BLOCK	30
-	1	1	1	1	1	1	1320908-1	SPACER, STRIP GUIDE	29
-	1	1	1	1	1	1	1633073-1	STRIP GUIDE PLATE ASSY	28
-	1	1	1	1	1	1	1-455888-9	SPACER, FRONT SHEAR DEP	27
-	2	2	2	2	2	2	1-22284-0	SPRING, DRAG	26
-	1	1	1	1	1	1	356835-1	LEVER, DRAG RELEASE	25
-	1	1	1	1	1	1	240792-1	DRAG, TERMINAL	24
-	1	1	1	1	1	1	1320928-1	PLATE, STRIP GUIDE	23
-	1	1	1	1	1	1	980371-4	SCR,SHC SHLD	22
-	1	-	-	-	-	-	690472-2	STRIPPER	21
-	1	1	1	1	1	1	1-18023-1	SCR,SHC(M4X10)STRIPPER	20
-	4	4	4	4	4	4	18025-2	WASHER,LOCK(M4)STRIPPER	19
-	-	-	-	-	-	-	690472-1	STRIPPER	18
-	-	-	-	-	-	-	-	-	17
-	1	-	-	-	-	-	1338684-1	HOLDER, SHEAR, FRONT (NO-CUT)	16
-	-	-	-	-	-	-	-	-	15
-	-	-	-	-	-	-	-	-	14
-	-	-	-	-	-	-	-	-	13
-	1	1	1	1	1	1	3-22280-3	SPRING, SHEAR	12
-	1	1	1	1	1	1	356885-4	STOP, SHEAR	11
-	-	-	-	-	-	-	1320921-1	HOLDER, SHEAR, FRONT (CUT)	10
-	1	1	1	1	1	1	454276-1	SHEAR, FLOAT (FRONT)	9
-	1	2	2	2	1	1	6-1333203-8	ANVIL	8
-	-	-	-	-	-	-	-	-	7
-	-	-	-	-	-	-	-	-	6
-	1	1	1	1	1	1	1-455889-4	DEPRESSOR, SHEAR (FRONT)	5
-	1	1	1	1	1	1	1-238011-0	SPACER, BLOCK CRIMPER	4
-	1	2	2	2	1	1	5-683454-0	CRIMPER, INSULATION	3
-	1	1	1	1	1	1	455888-8	SPACER, CRIMPER	2
-	1	2	2	2	1	1	1-456404-8	CRIMPER, WIRE	1

DIMENSIONS: INCHES		TOLERANCES UNLESS OTHERWISE SPECIFIED:	
0 PLC	±.005	1 PLC	±.002
1 PLC	±.002	2 PLC	±.001
3 PLC	±.001	4 PLC	±.0005
4 PLC	±.0005		
ANGLES: -		SURFACE TEXTURE: ✓	
SCALE: A1		DRAWING NO: 1426506	
SHEET 1 OF 1		REV B1	

CUSTOMER ACCESSIBLE PRODUCTION DRAWING