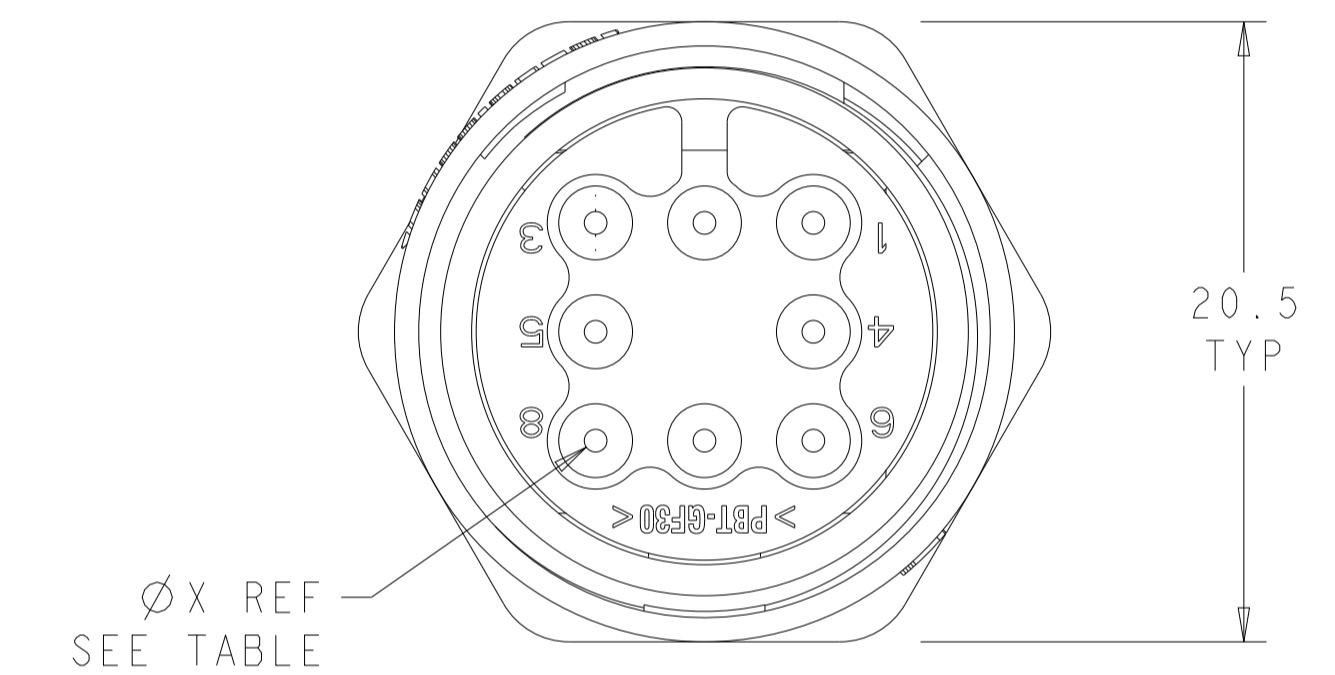
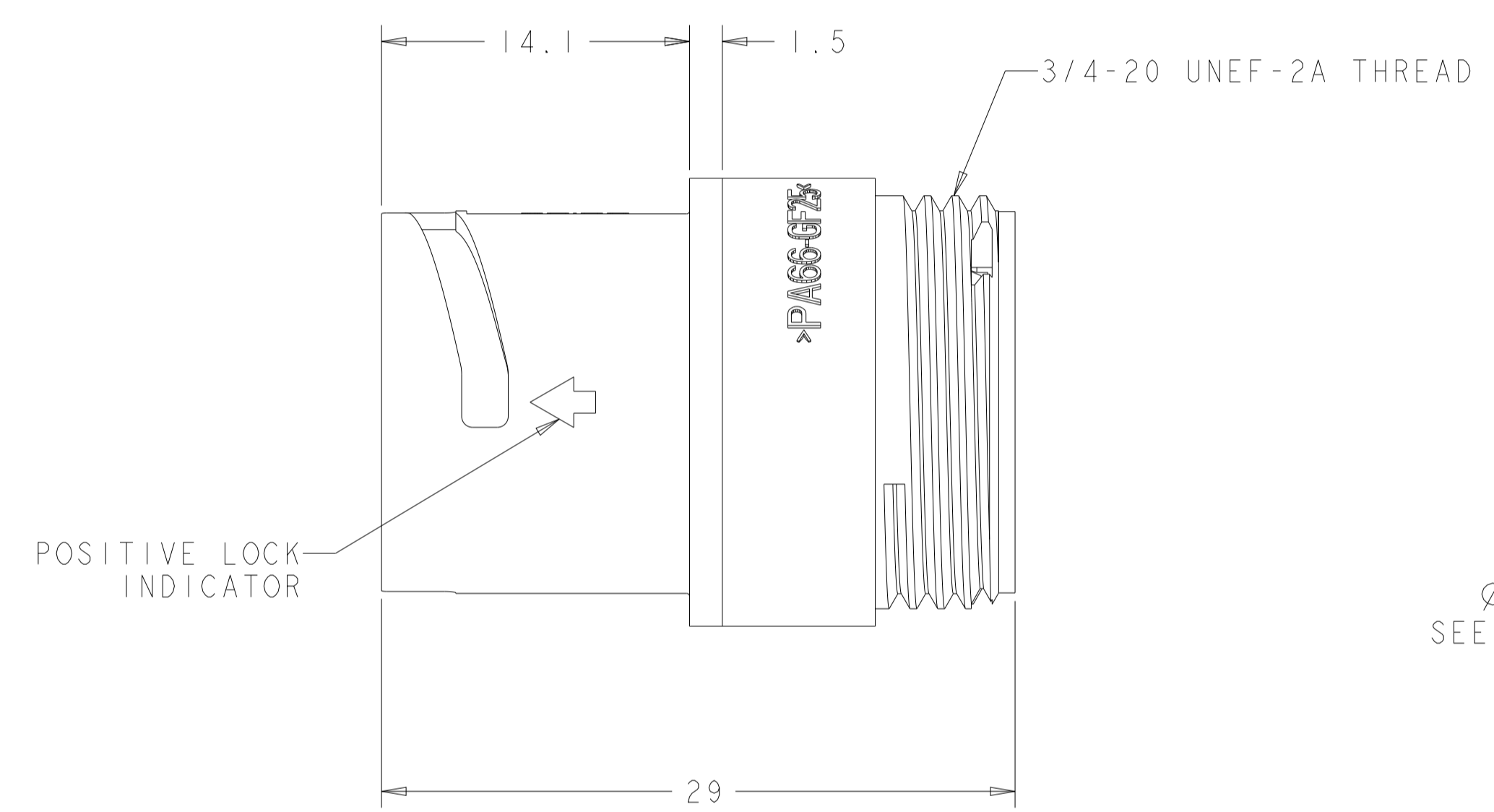
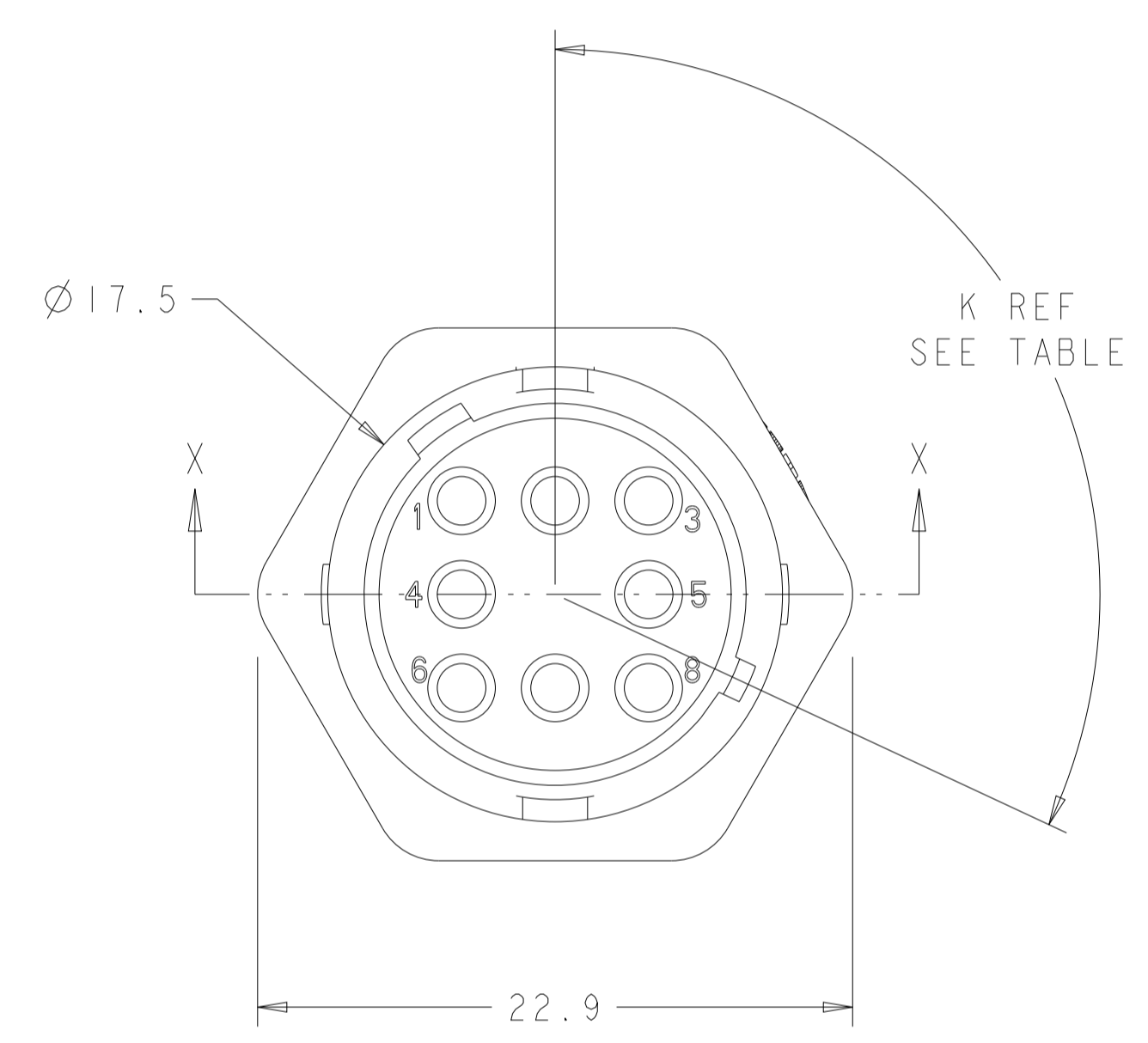
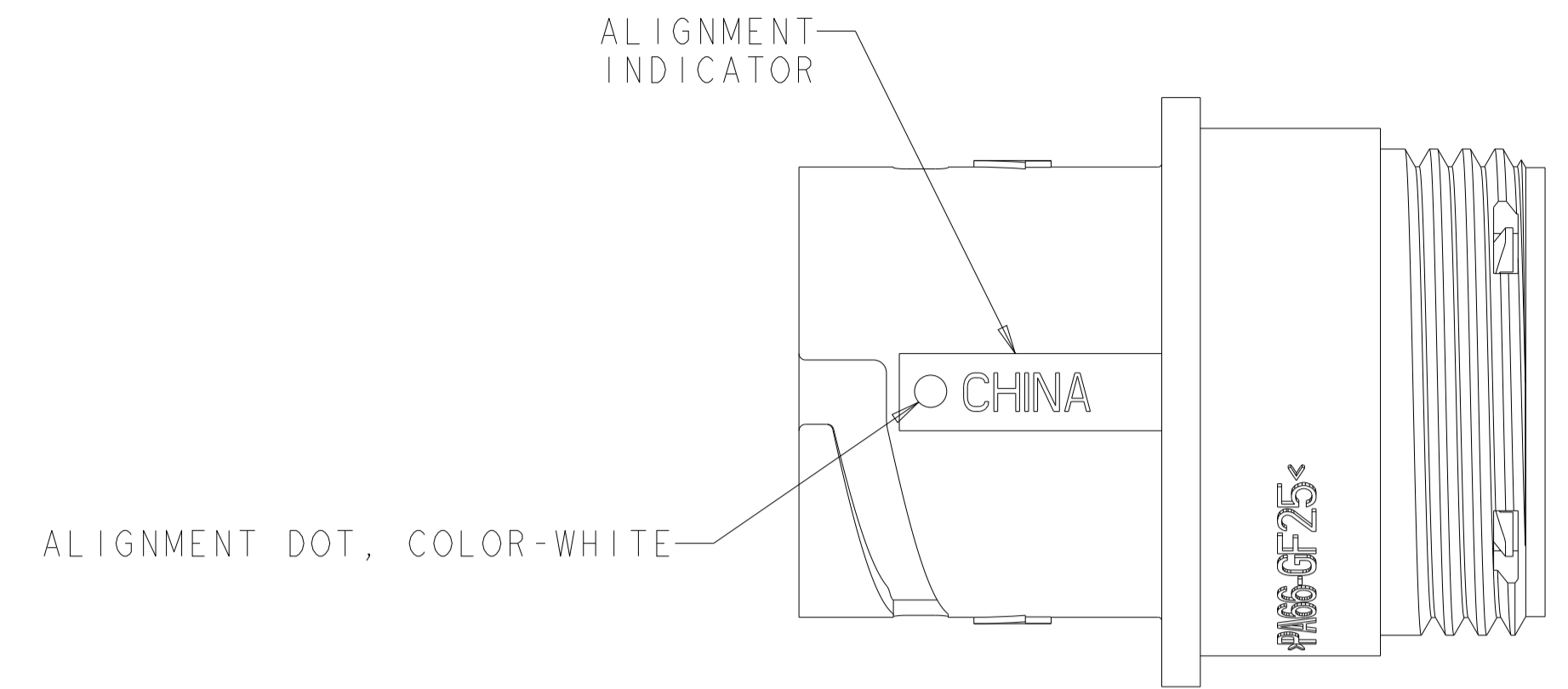
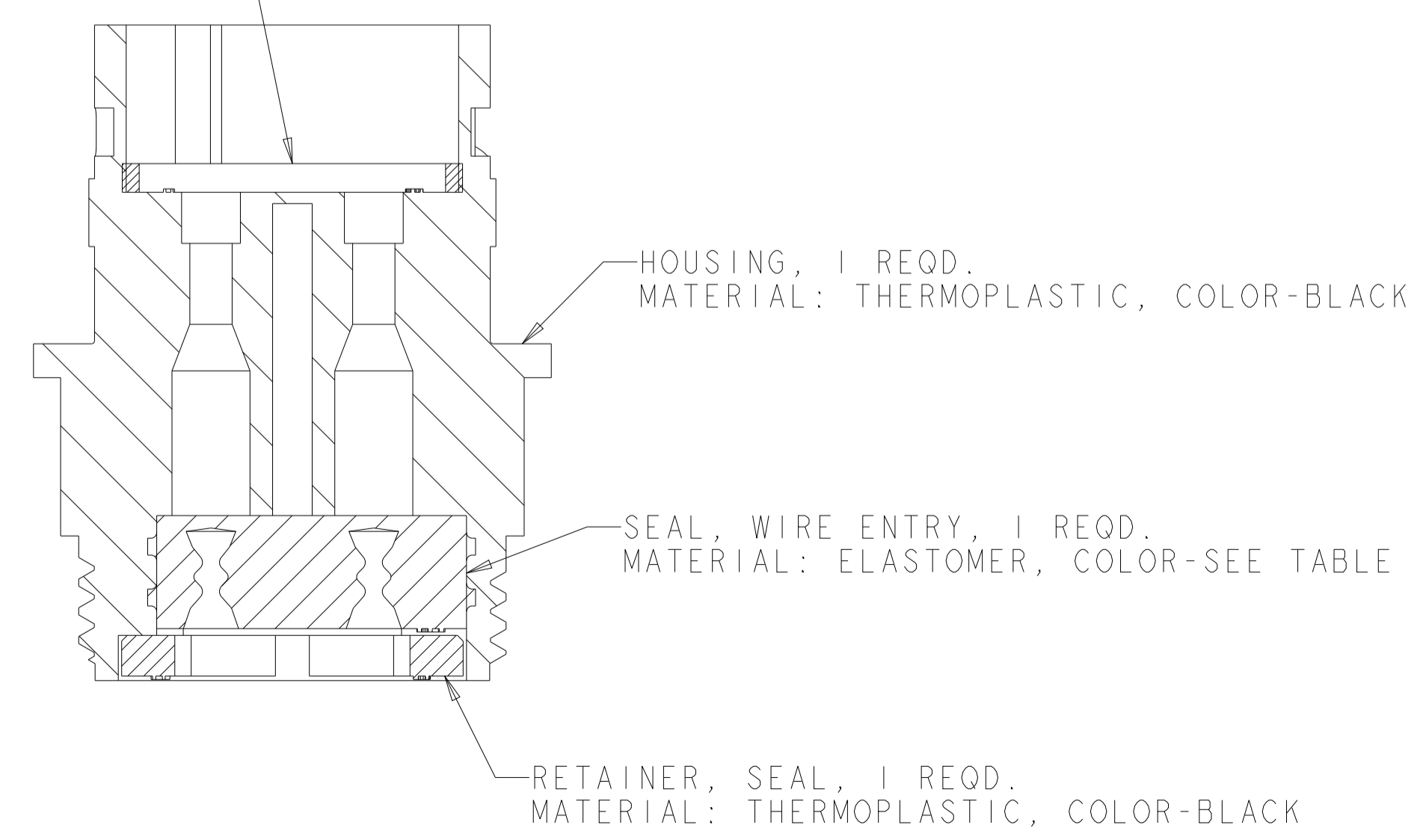


REVISIONS				
P	LTN	DESCRIPTION	DATE	APVD
D		REVISED PER ECN-22-136865	01FEB2022	RK MZ



SEAL, PERIPHERAL, 1 REQD.
 MATERIAL: ELASTOMER, COLOR-BLACK



SECTION X-X

OBSELETE	YELLOW	Ø0.75	135°	1445826-04
	NATURAL	Ø1.5	115°	1445826-03
OBSELETE	NATURAL	Ø1.5	135°	1445826-02
	YELLOW	Ø0.75	115°	1445826-01
	SEAL, WIRE ENTRY COLOR	Ø X REF	K REF	PART NUMBER

THIS DRAWING IS A CONTROLLED DOCUMENT. DWG: SHANE WIESE 22OCT2001
 CHK: G DOUTY 22OCT2001

APVD: H. WAKEEM 13JUN2003

NAME: ASSEMBLY, SIZE 11, 8 POSITION, FREE HANGING, SEALED, MINI CPC

SIZE: A1 CAGE CODE: 1445826 DRAWING NO: 100779

MATERIAL: SEE CALLOUT

WEIGHT: -

CUSTOMER DRAWING

SCALE: 4:1 SHEET 1 OF 1 REV D

TE Connectivity