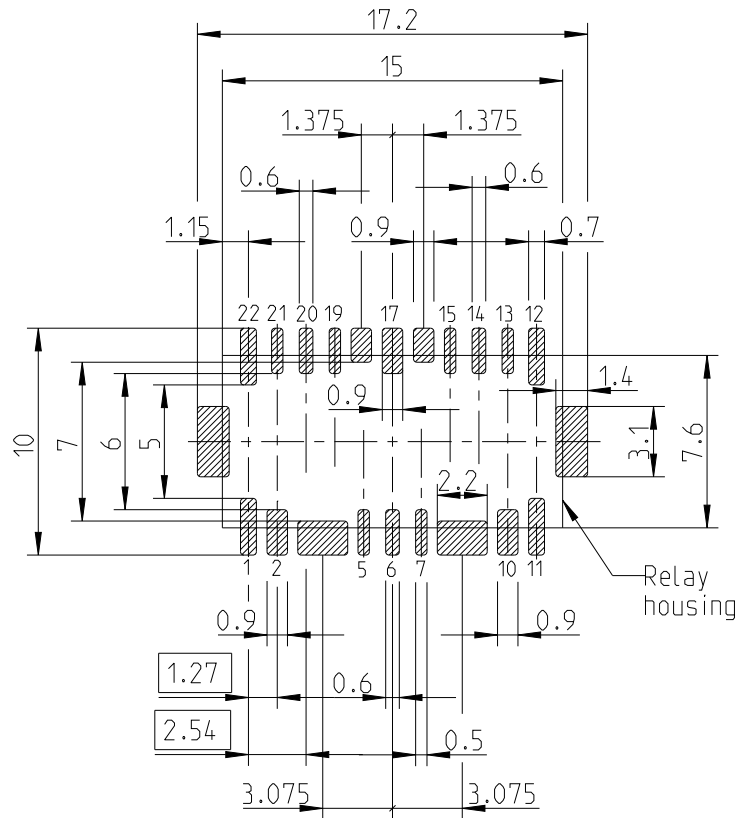
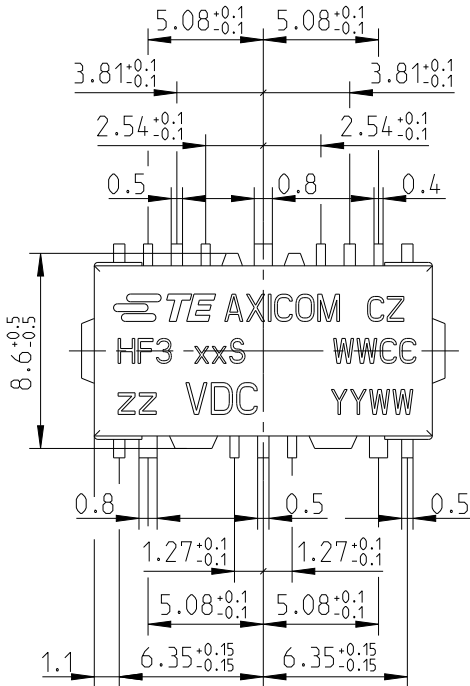
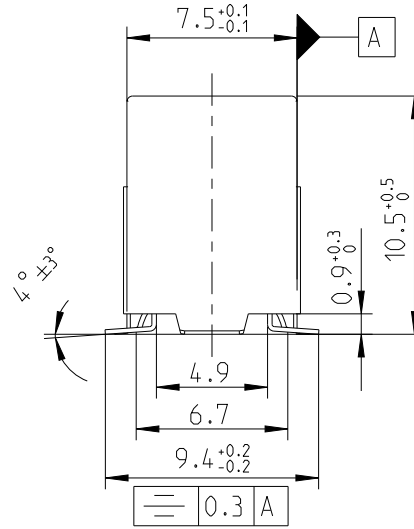
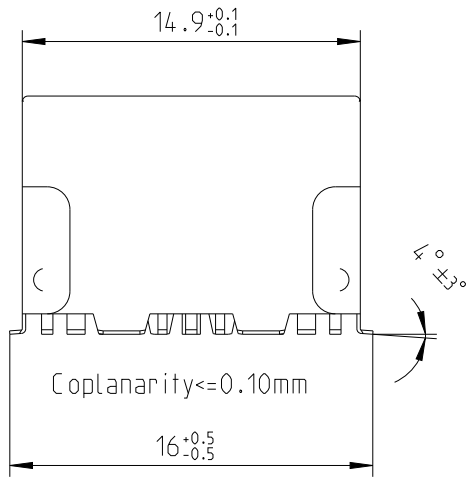


LOC	DIST	REVISIONS					
		P	LTR	DESCRIPTION	DATE	DWN	APVD
TU	-		F	Printing	09/07/2010	UKo	HD
			F1	REVISED PER ECO-11-005150	25/03/2011	UKo	AK
			F2	REVISED PER ECO-13-009645	18/06/2013	UKo	AK
			G	ECR-24-214819 (Update of customer drawings)	15/07/2024	LC	PH



xx = Relay type
 ZZ = Nominal voltage
 YYWW = Date code
 WWCC = Lot number

2006

RELEASED FOR PUBLICATION

ALL RIGHTS RESERVED.

© COPYRIGHT 2006 BY TE Connectivity

THIS DRAWING IS UNPUBLISHED.

DIMENSIONS: mm	DWN	UKo 9193	06NOV2006	MATERIAL	-	FINISH	-
	CHK	HD 9121	06NOV2006	TE Connectivity			
TOLERANCES UNLESS OTHERWISE SPECIFIED: DIN 7168-m	APVD	HD 9121	06NOV2006				
	PRODUCT SPEC	-	-	SIZE	CAGE CODE	DRAWING NO	RESTRICTED TO
0 PLC ±-	1 PLC ±-	2 PLC ±-	3 PLC ±-	4 PLC ±-	ANGLES ±-	-	
WEIGHT				A 4	00779	©=1462050-3	-
CUSTOMER DRAWING				SCALE	3:1	SHEET	1 OF 1
						REV	G