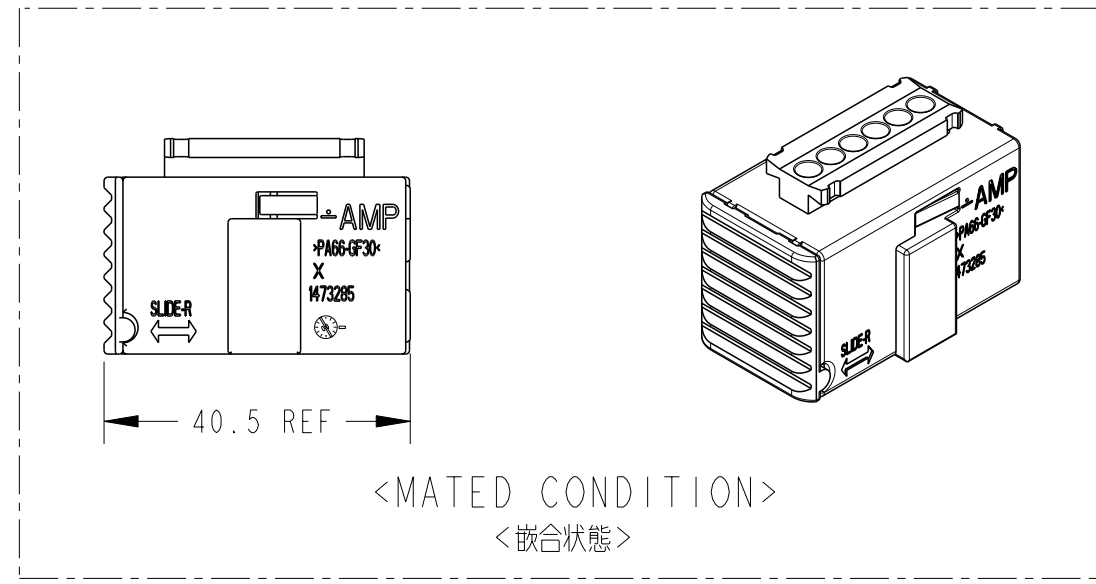


THIS DRAWING IS UNPUBLISHED. RELEASED FOR PUBLICATION 20
 © COPYRIGHT 20 ALL RIGHTS RESERVED.

LOC	DIST	REVISIONS					
J		P	LTR	DESCRIPTION	DATE	DWN	APVD
		B1		REVISED PER ECO-11-005140	09APR2011	RK	HMR
		B2		REVISED PER ECR-23-188923	11SEP2023	KW	RK



1. APPLICABLE SECONDARY LOCKING DEVICE : P/N X-1473288-X
 2. APPLICABLE CONTACT : P/N 963711-2 (LOOSE PIECE)
: P/N 962876-2 (STRIP FORM)
 3. MARKING TO IDENTIFY THE DIRECTION OF SLIDE
1. 適用 セカンドロックデバイス : 型番 X-1473288-X
 2. 適用 端子 : 型番 963711-2(バラ端子)
: 型番 962876-2(リール端子)
 3. スライド方向識別マーク

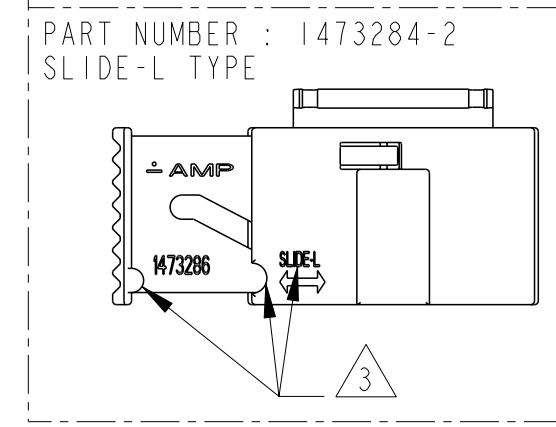
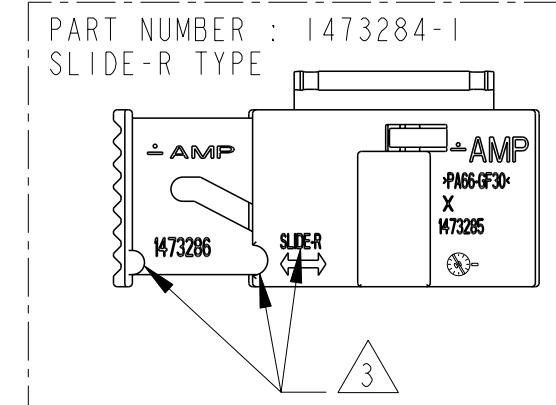
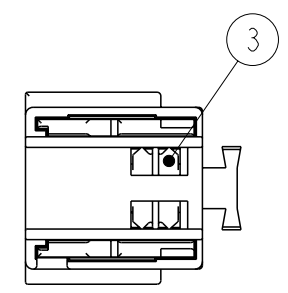
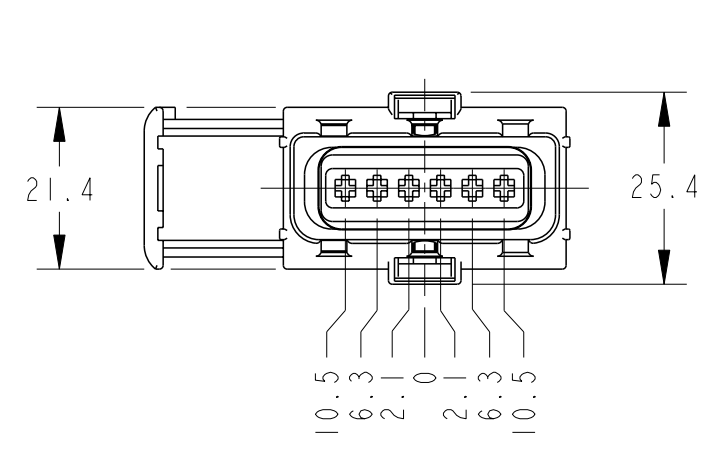
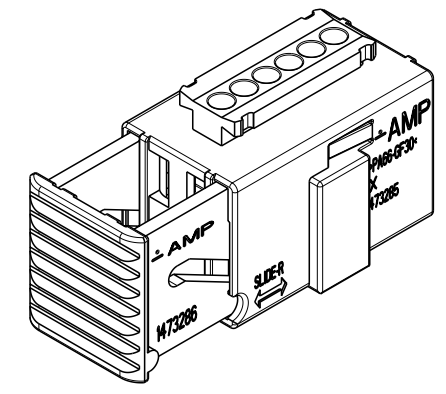
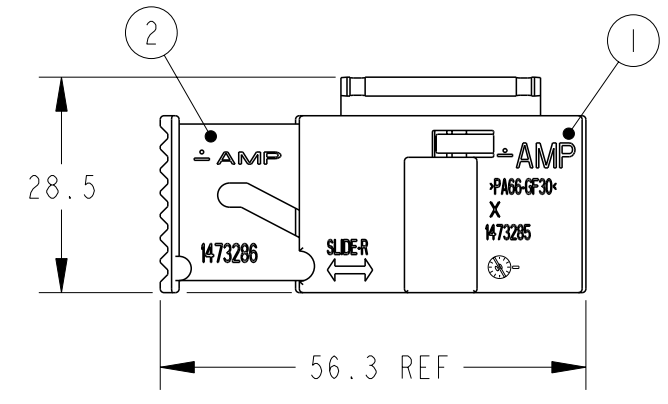


FIG.1



OBSOLETE	PAPER BOX	PAPER BOX	RED	RED	BLACK	SLIDE-L TYPE	1473284-2
	ダンボール	ダンボール	赤	赤	黒	(SEE FIG.1)	
	PAPER BOX	PAPER BOX	RED	RED	BLACK	SLIDE-R TYPE	1473284-1
	ダンボール	ダンボール	赤	赤	黒	(SEE FIG.1)	
	OUTER	INNER	3 SEALING	2 SLIDER	1 HOUSING	DIRECTION OF SLIDER	PART NUMBER
	外装	内装	シーリング	スライダ	ハウジング		
PACKING STYLE			COLOR				
梱包形態			色				

THIS DRAWING IS A CONTROLLED DOCUMENT.

DIMENSIONS: 単位: 耗 mm	TOLERANCES UNLESS OTHERWISE SPECIFIED: ALL : ±0.5	DWN E. SASAKI 14MAY01	<p>TE Connectivity</p> <p>HOUSING ASSEMBLY , MICRO TIMER II 6POS. , NEUTRAL TYPE</p>
	0-PLC ± 1-PLC ±0.5 2-PLC ±0.13 3-PLC ±0.013 4-PLC ±0.0001 ANGLES ±5 00'	CHK T. KOHNO 14MAY01	
		APVD N. SAI 15MAY01	
MATERIAL 材料 PA66	FINISH 仕上 SEE TABLE	PRODUCT SPEC 108-5757	
		APPLICATION SPEC 取付適用規格 114-18081	SIZE A3
		WEIGHT 16 g	CAGE CODE 00779
		CUSTOMER DRAWING	DRAWING NO C-1473284
		SCALE 尺度	RESTRICTED TO
		SHEET 1	REV B2

Printed on 6 Oct 2023 15:28 (India Standard Time) from TE501918