

THIS DRAWING IS UNPUBLISHED. RELEASED FOR PUBLICATION JULY, 2006.
 © COPYRIGHT 2006 BY TYCO ELECTRONICS CORPORATION. ALL RIGHTS RESERVED.

LOC	DIST	REVISIONS					
E	B	P	LTR	DESCRIPTION	DATE	DWN	APVD
		B		ECR-06-015596	17JUL06	JMS	FWK

NOTES:

- 1 PACK IN ACCORDANCE WITH AMP SPEC 107-3275
- 2 100 TRAY PACK IN ACCORDANCE WITH AMP SPEC 107-3275
- 3 Ag PLATING
- 4 THIS ITEM MUST BE WHITE

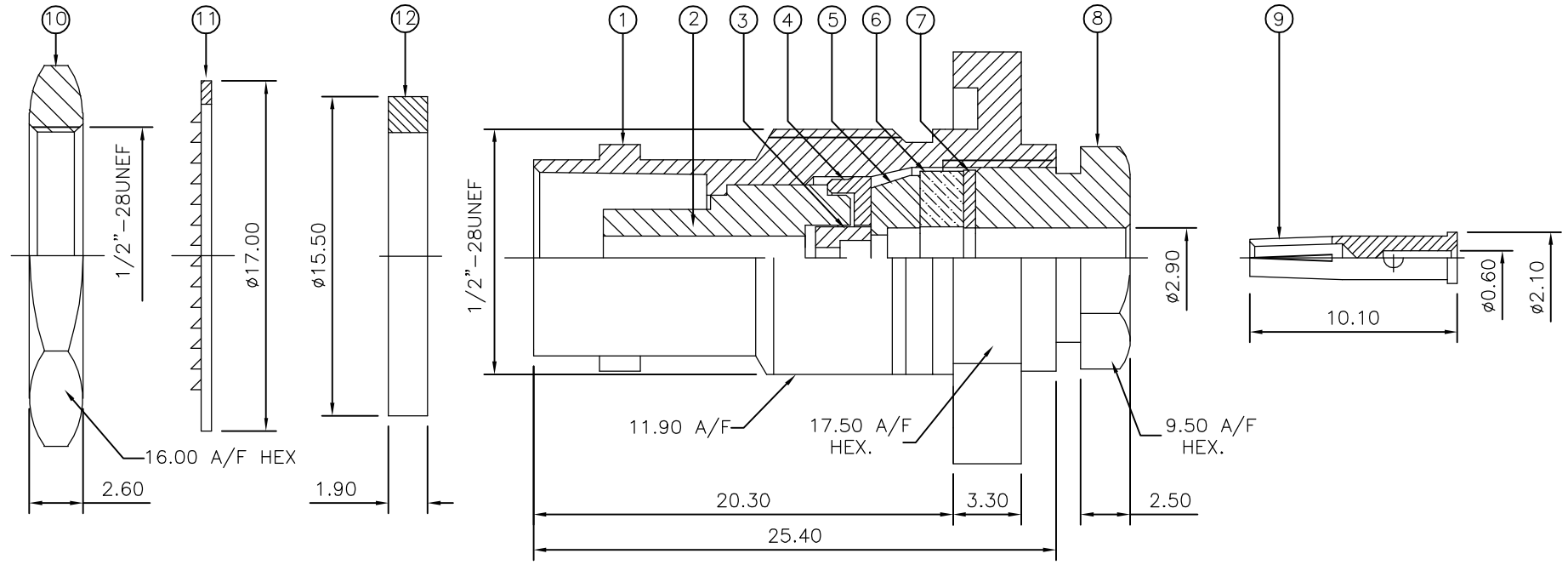
5 ELECTRICAL CHARACTERISTICS
 FREQUENCY RANGE: DC - 4 GHz
 NOMINAL IMPEDANCE: 50 Ohm
 INSULATION RESISTANCE: 5000 MOhm
 WORKING VOLTAGE: 500 Volts RMS at Sea Level
 DIELECTRIC WITHSTAND VOLTAGE: 1500 Volts RMS Max
 CONTACT RESISTANCE:
 CENTRE CONTACT: 1.50 mOhm Max
 OUTER CONTACT: 0.20 mOhm Max
 VSWR @ 4GHz: 1.30:1 Max
 INSERTION LOSS dB @ x 3 GHz: 0.20 Max

6 MECHANICAL CHARACTERISTICS
 COUPLING NUT RETENTION FORCE: N/A
 CABLE RETENTION FORCE: 85N Min
 CLAMP NUT RECOMMENDED TORQUE: 4N
 MOUNT NUT RECOMMENDED TORQUE: 4N
 DURABILITY: 500 Cycles Min

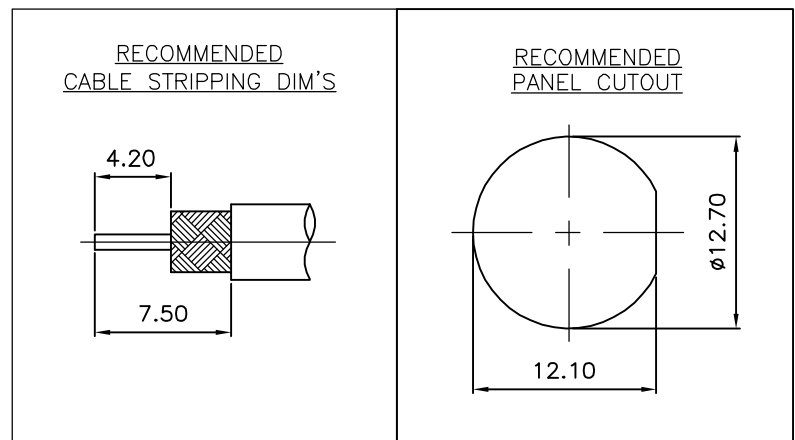
7 ENVIRONMENTAL CHARACTERISTICS
 OPERATING TEMPERATURE: -65 to +165 DegC

8 FOR TECHNICAL DATA REFER TO YOUR LOCAL TYCO ELECTRONICS SALES OFFICE

9 ALL DIMENSIONS ARE NOMINAL FOR REFERENCE ONLY UNLESS OTHERWISE STATED



QTY	QTY PER ASSY	MATERIAL	DESCRIPTION	ITEM
1	1	SILICON RUBBER	GASKET	12
1	1	STEEL	LOCKWASHER	11
1	1	BRASS	HEX. NUT	10
1	1	BRASS	CONTACT	9
1	1	BRASS	CLAMP NUT	8
1	1	BRASS	WASHER	7
1	1	SILICON RUBBER	GASKET	6
1	1	BRASS	SLEEVE	5
1	1	BRASS	WASHER	4
1	1	PTFE	INSULATION	3
1	1	PTFE	INSULATION	2
1	1	BRASS	BODY	1
6--0	1--0			



THIS DRAWING IS A CONTROLLED DOCUMENT.		DWN J.SANDWELL 17JUL06	Tyco Electronics Corporation Bideford EX39 4HE	
DIMENSIONS: mm		CHK S.PARLOW 17JUL06		
TOLERANCES UNLESS OTHERWISE SPECIFIED:		APVD F.WHEELER-KING 17JUL06	NAME BNC STRAIGHT BULKHEAD JACK MIL-CLAMP 50 OHM RG174A/U, 188A/U, 316/U, URM95, KX3B, KX22A	
0 PLC ± - 1 PLC ± - 2 PLC ± - 3 PLC ± - 4 PLC ± - ANGLES ± - FINISH -		PRODUCT SPEC -	APPLICATION SPEC -	
MATERIAL SEE TABLE		411-3253	SIZE A3	CAGE CODE 00779
		WEIGHT -	DRAWING NO C-1478141	RESTRICTED TO -
		CUSTOMER DRAWING	SCALE NTS	SHEET 1 OF 1
				REV B