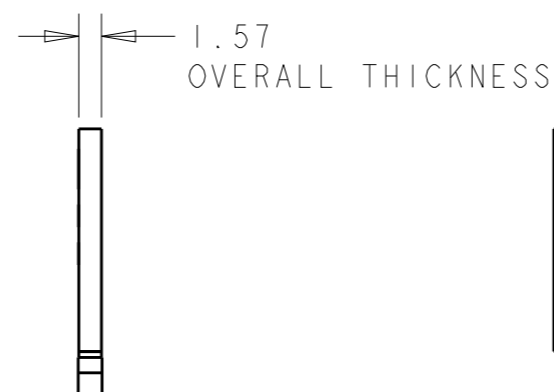
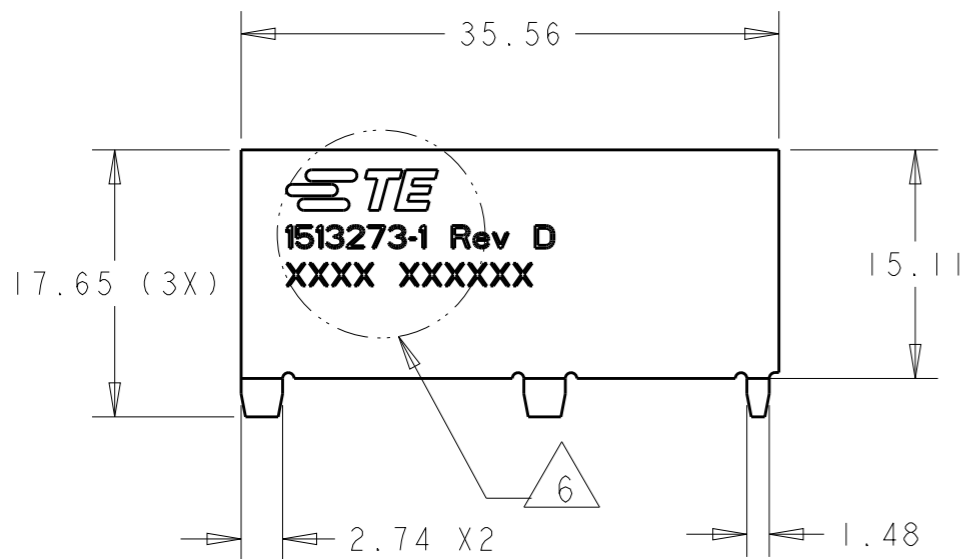


P	LTR	DESCRIPTION	DATE	DWN	APVD
	A	RELEASED	14NOV2008	DJL	MAH
	B	UPDATE DRAWING	19AUG2009	APV	APV
	D	REVISED PER ECO-20-006487	08MAY2020	SJ	JH



1513273-1 AS SHOWN

NOTES: UNLESS OTHERWISE SPECIFIED.

- FABRICATE TO MEET IPC - 6013, CLASS 2.
INSPECT TO MEET IPC - A - 600, CLASS 2.
- MATERIAL : FR-4 PCB.
- FINISH:
A: SOLDERMASK BOTH SIDES: ORANGE.
B: ENIG PLATING.
- PACKAGING: SINGULATED PARTS TO BE SECURELY SHRINK WRAPPED, BAGGED OR VACUUM PACKED IN BULK.
- CONSULT TE CONNECTIVITY DATA SHEET DS1513273.
- SILKSCREEN; WHITE EPOXY INK.
A. TE LOGO, TE P/N
B. WORD REV., FOLLOWED BY THE LATEST REVISION LETTER, AS SHOWN.
C. 4 DIGIT DATE CODE: FIRST 2 DIGITS FOR THE WEEK CODE AND THE 2ND TWO DIGITS FOR THE YEAR CODE.
5 DIGIT CODE: SPECIFIC TE SOURCE CODE NUMBER DIGITS AS REQUIRED.

THIS DRAWING IS A CONTROLLED DOCUMENT.		DWN DJL	14NOV2008	TE Connectivity	
DIMENSIONS: mm		CHK -	APVD -		
		TOLERANCES UNLESS OTHERWISE SPECIFIED:		PRODUCT SPEC -	
MATERIAL material_2		FINISH finish_spec_2		APPLICATION SPEC -	
		WEIGHT -		SIZE A3	CAGE CODE 00779
		CUSTOMER DRAWING		DRAWING NO G-1513273	RESTRICTED TO
		SCALE 2:1		SHEET 1	OF 1
				REV D	