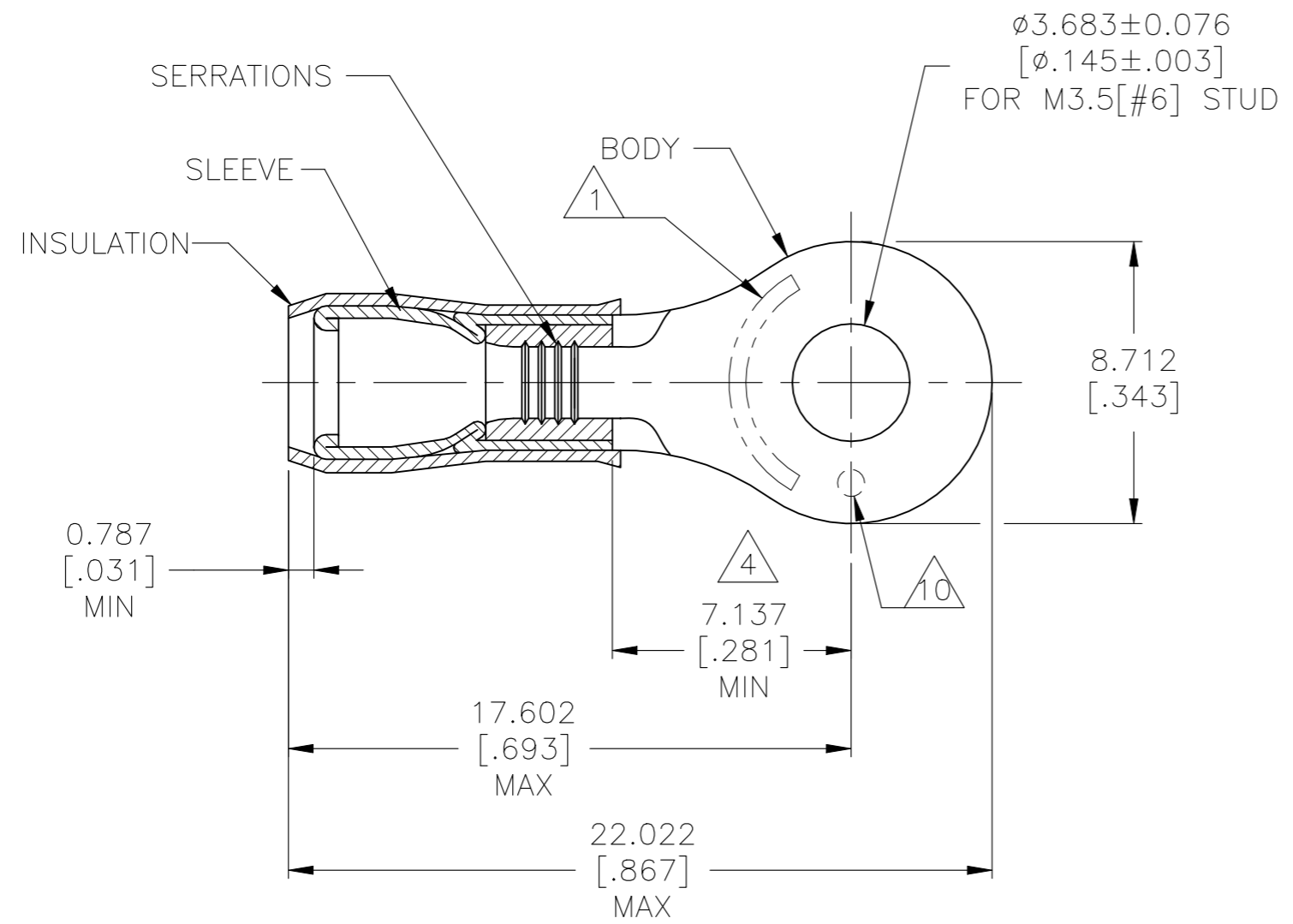


© - TE Connectivity. All Rights Reserved.

REVISIONS				
P	LTR	DESCRIPTION	DATE	APVD
	K	REVISED PER ECR-23-181664	01AUG2023	AP DSC

AMP
WIRE RANGE

14-12 AWG
SOLID OR STRANDED



- ① STAMP AMP 14-12, APPROX AS SHOWN
- 2 WIRE INSULATION DIAMETER:
φ2.032-φ3.175[φ.080-φ.125]
- 3 BODY MATERIAL THK : 0.787±0.051[.031±.002]
- ④ APPLIES FROM EDGE OF METAL WIRE BARREL TO CENTER OF STUD HOLE
- ⑤ MATERIAL:
BODY & SLEEVE - COPPER PER ASTM B152
INSULATION: NYLON
- ⑥ FINISH:
BODY & SLEEVE - TIN PLATE 0.00254[.000100]
MIN EXT THK PER ASTM B545
INSULATION: COLOR - WHITE
- 7 NOTE DELETED
- 8 NOTE DELETED
- 9 NOTE DELETED
- ⑩ DIMPLE STAMP MARK OPTIONAL

500	LOOSE PIECE	152874
QTY	PACKAGING TYPE	PART NO

AMP INCORPORATED CUSTOMER SERVICE SYSTEMS		MAX RECOMMENDED OPERATING TEMPERATURE: 105°C [221°F]	THIS DRAWING IS A CONTROLLED DOCUMENT.		DWN jr_ruth 05MAY06	STE TE Connectivity				
FOR ADDITIONAL PRODUCT INFORMATION OR COPIES OF DRAWINGS AND TECHNICAL DOCUMENTS	PRODUCT INFORMATION CENTER 1-800-522-6752	VOLTAGE RATING: 300 V MAX	DIMENSIONS: mm [INCHES]	TOLERANCES UNLESS OTHERWISE SPECIFIED:	CHK T MICHELUTTI 05MAY06	NAME TERMINAL, RING TONGUE, PIDG, WIRE SIZE 14-12 AWG				
FOR APPLICATION TOOLING INFORMATION	TOOLING ASSISTANCE CENTER 1-800-722-1111	WIRE CROSS SECTIONAL AREA RANGE: 1.65-3.45mm²[3260-6800] CMA SOLID OR STRANDED		0 PLC ± - 1 PLC ± - 2 PLC ± - 3 PLC ± 0.127[.005] 4 PLC ± - ANGLES ± -	APVD T MICHELUTTI 05MAY06					
FOR ORDER ENTRY	1-800-526-5142	THIS DRAWING IS A CONTROLLED DOCUMENT FOR AMP INCORPORATED. IT IS SUBJECT TO CHANGE AND THE CONTROLLING ENGINEERING ORGANIZATION SHOULD BE CONTACTED FOR THE LATEST REVISION	MATERIAL ⑤	FINISH ⑥	PRODUCT SPEC -	APPLICATION SPEC 114-2157	SIZE A3	CAGE CODE 00779	DRAWING NO C-152874	RESTRICTED TO -
					WEIGHT -	CUSTOMER DRAWING		SCALE 5:1	SHEET 1 OF 1	REV K