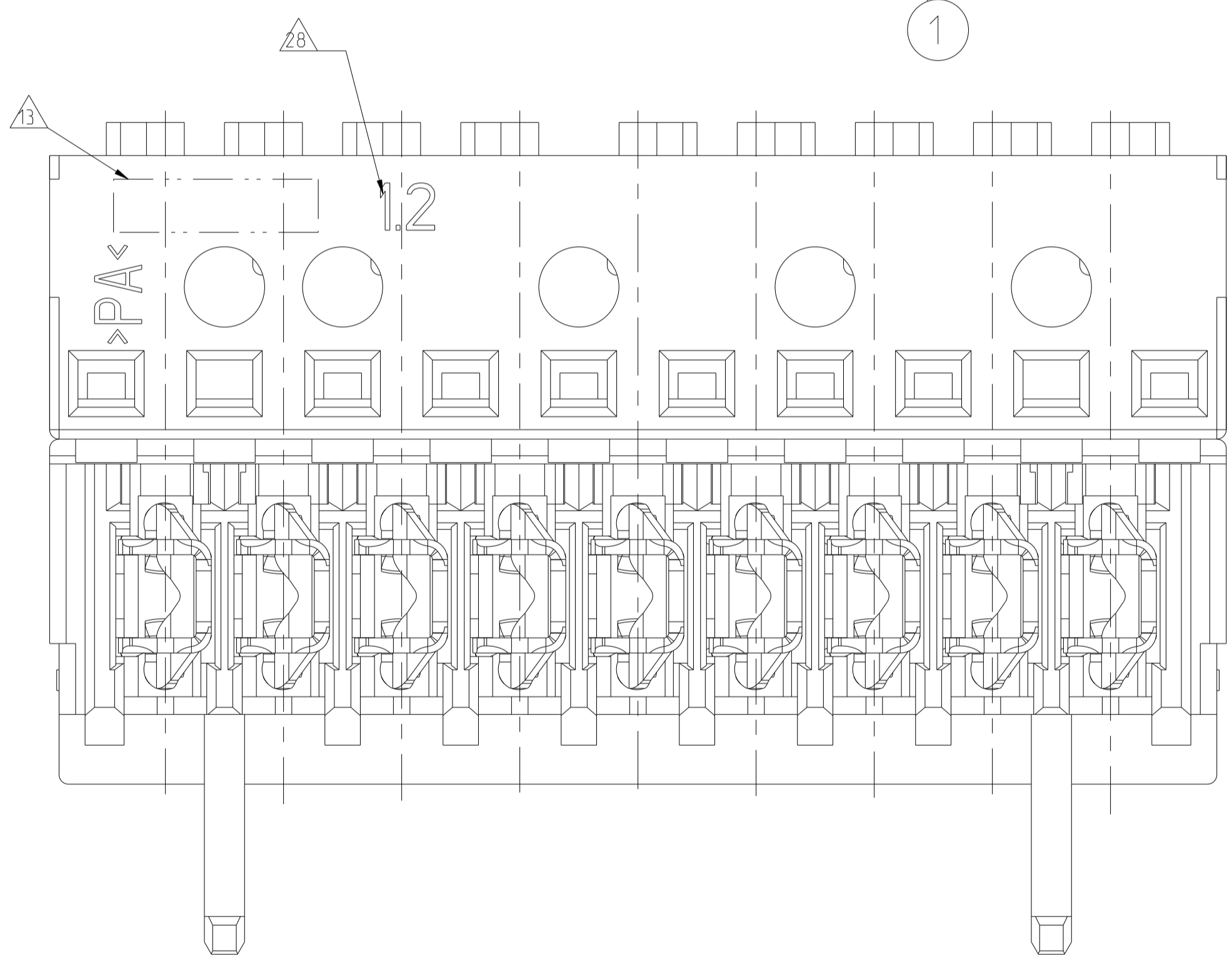
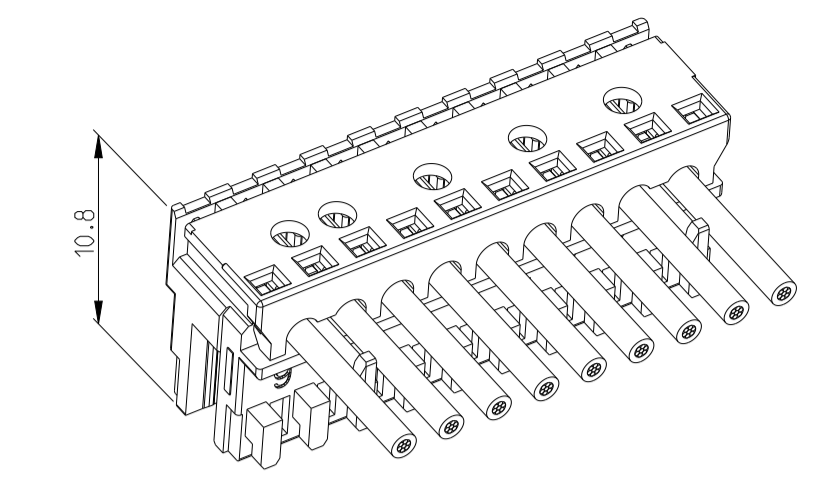
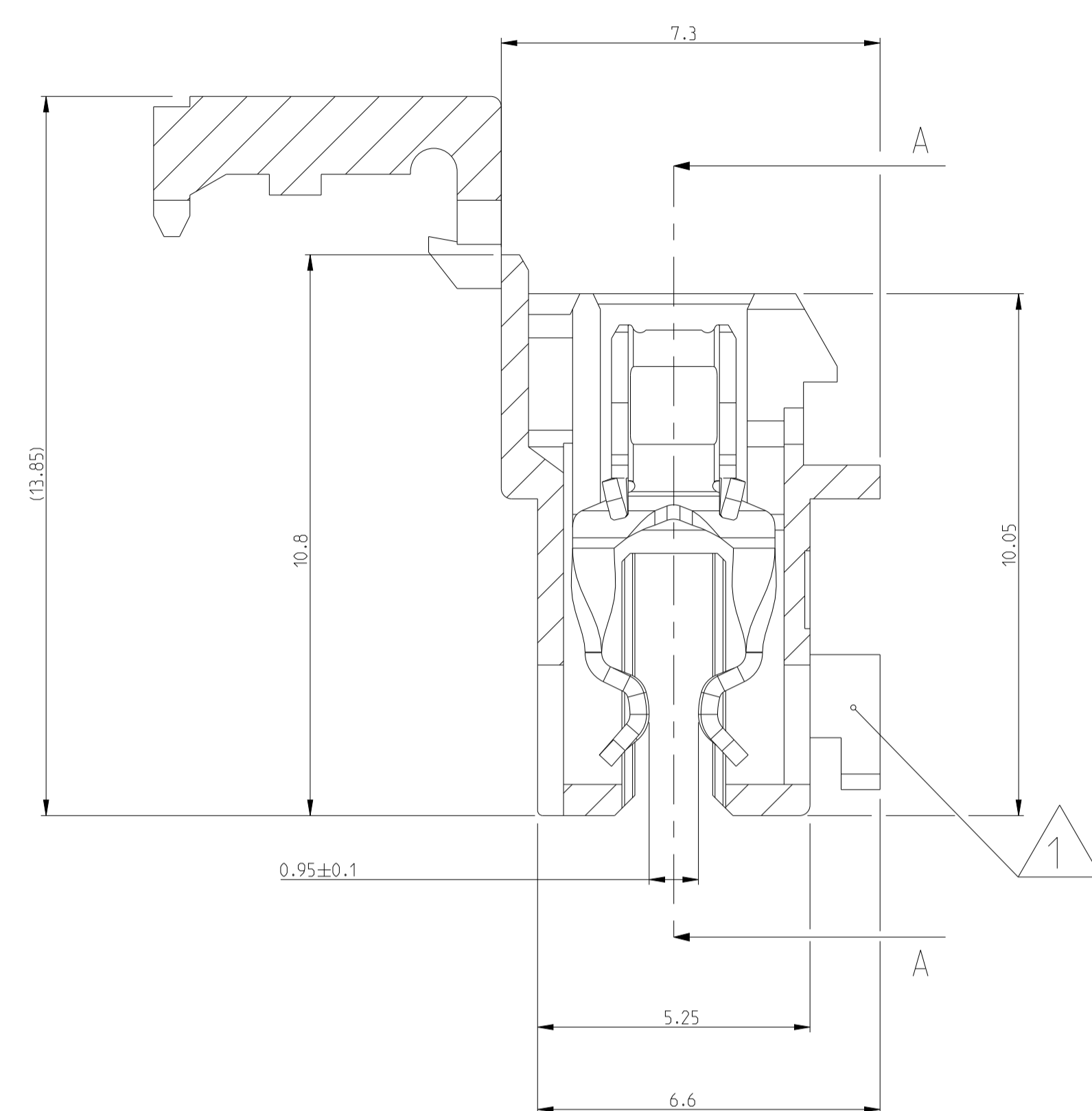
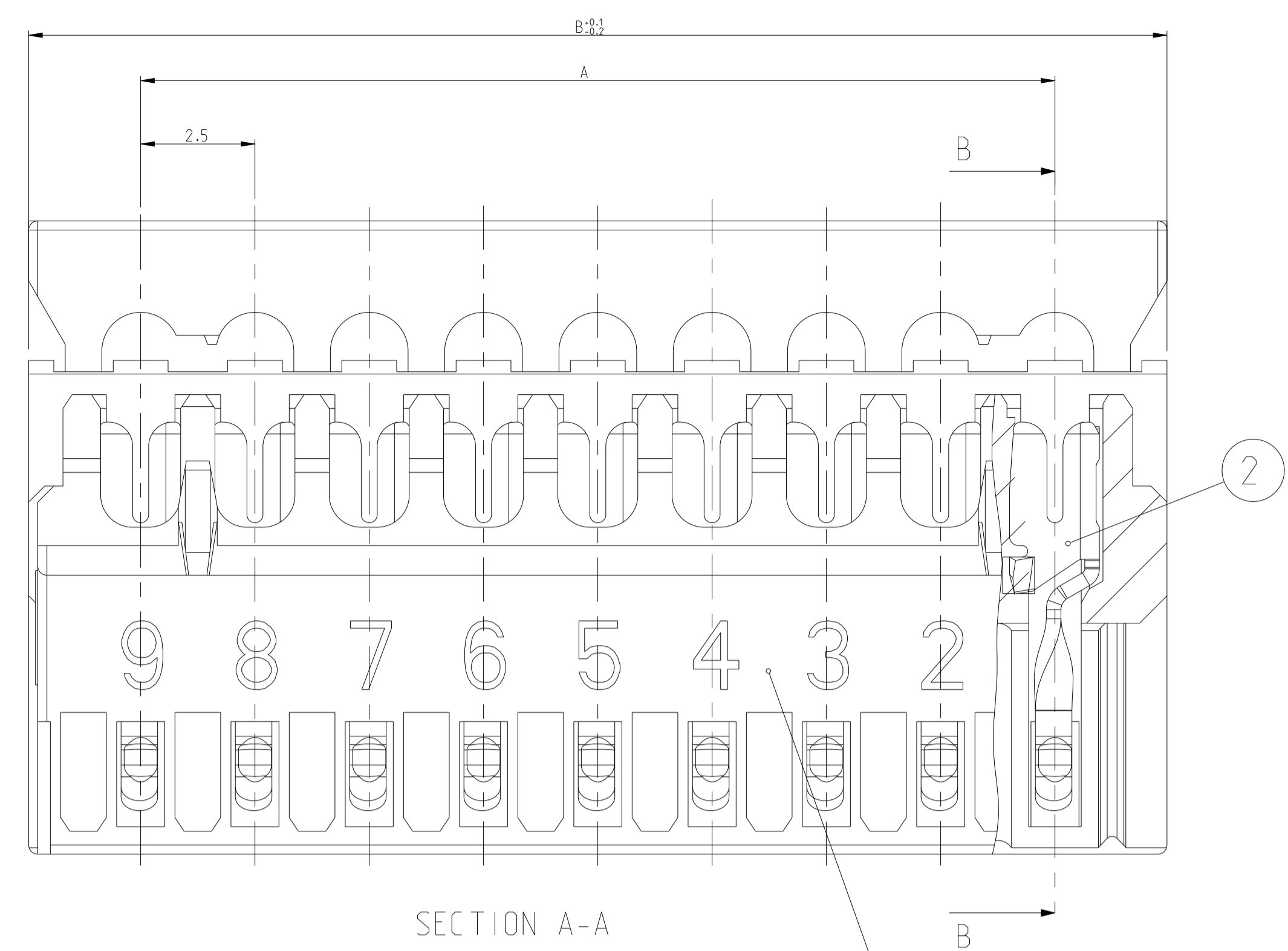
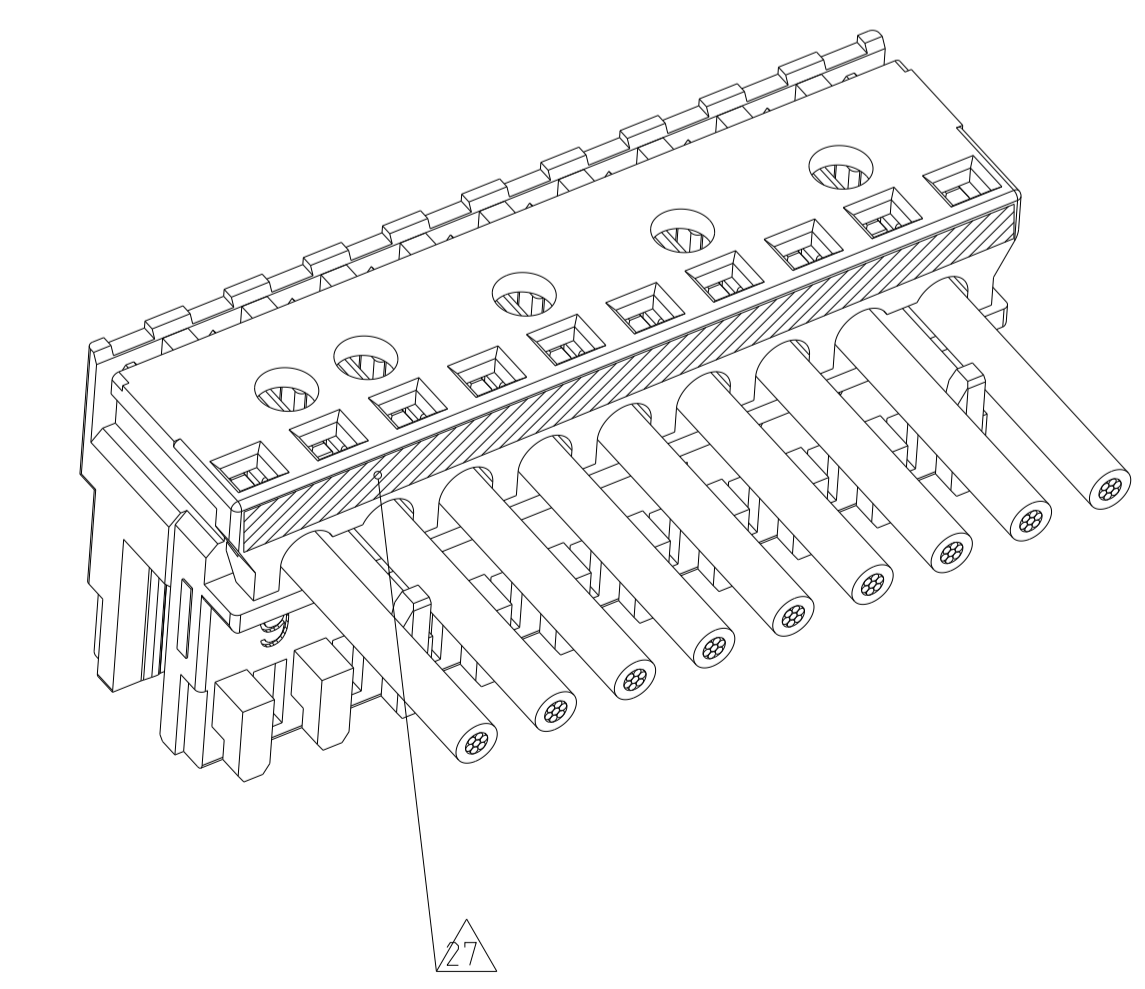


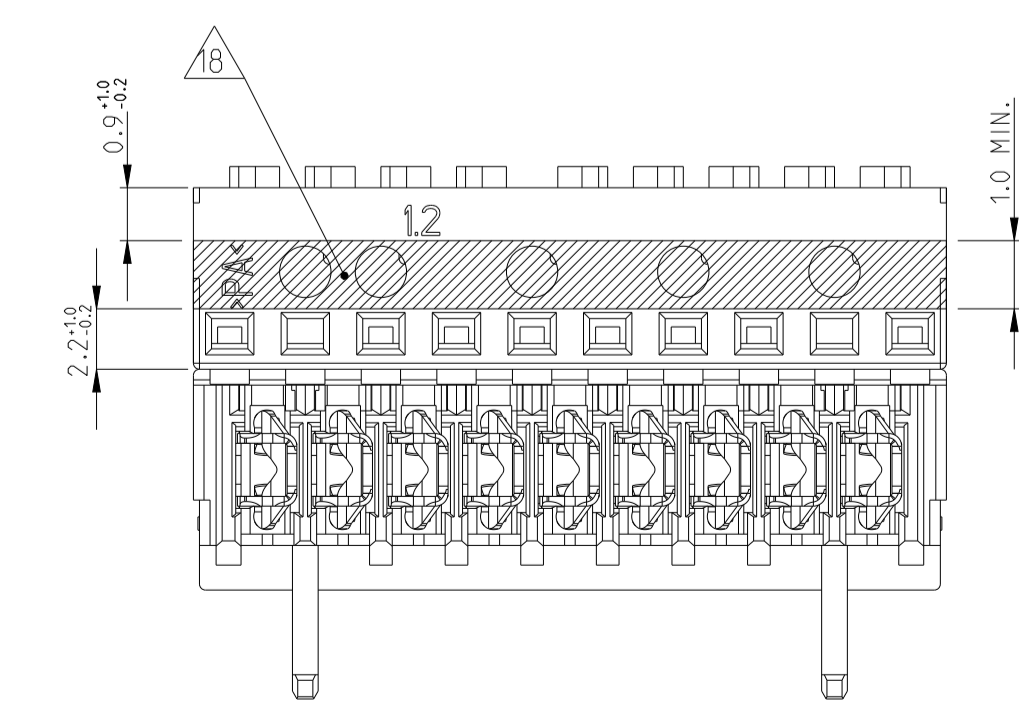
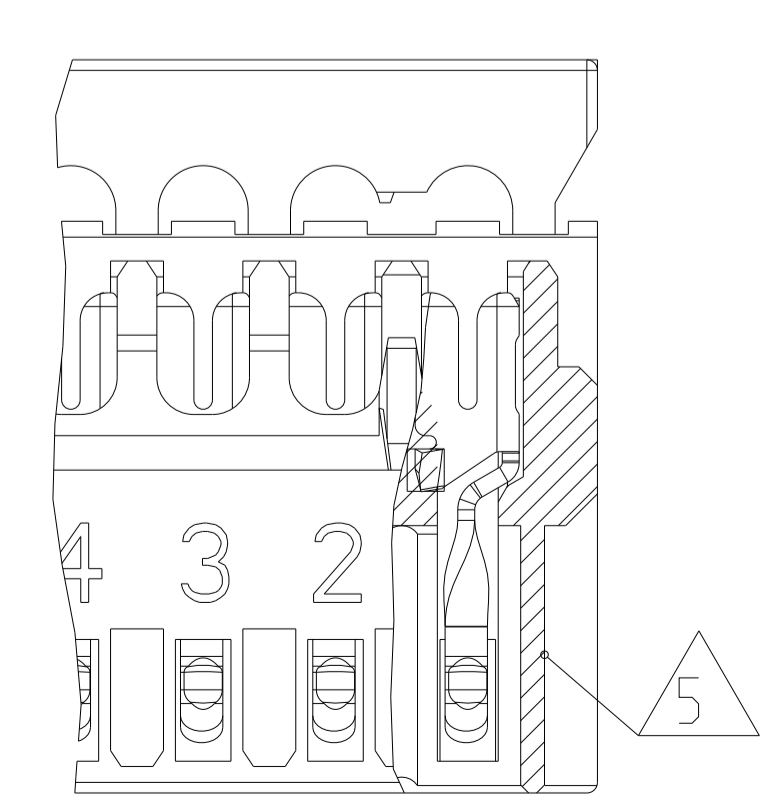
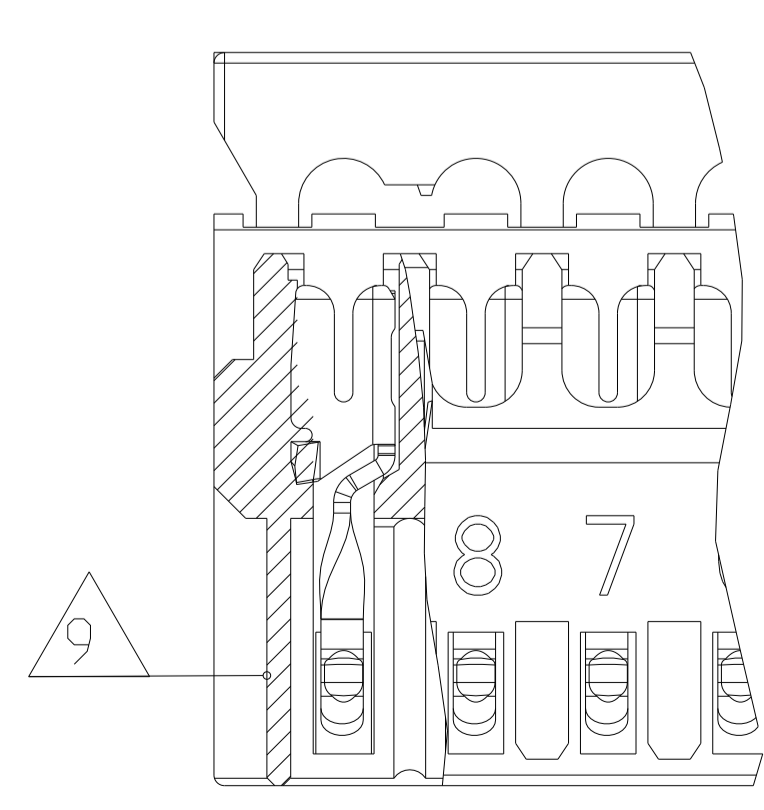
LOC		DIST		REVISIONS			
P	LTN	DESCRIPTION	DATE	DMN	APVD		
DB6	ECR-24-198569		30JAN2024	SM	FL		
DB7	ECR-24-199323		05FEB2024	SP	FL		
DB8	ECR-24-203261		21MAR2024	SP	FL		
DB9	ECR-24-208820		20MAY2024	SP	FL		



SECTION B-B



- 31 SIDE KEYING ON LAST CAVITY. THICKNESS 0.7mm
- 30 SIDE KEYING ON CAVITY NO.1. THICKNESS 0.7mm
- 29 P/N RELEASED WITH PARTIAL VALIDATION AND CERTIFICATION
- 28 CAVITY ID STARTS WITH LETTER FOR PARTS PRODUCTION IN QINGDAO PLANT. SUCH AS "A1.1"
- 27 STRIPE IN YELLOW COLOR WHERE SHOWN. PRESENT ON THE PARTS PRODUCED IN TE COLLEGNO ONLY
- 26 DIMENSION AVAILABLE ONLY FOR PART X-2304525-X. X-2304526-X.
- 25 WITH SPECIAL CHAIN FEATURE
- 24 SIDE KEYING ON LAST CAVITY. THICK-1.5mm
- 23 -
- 19 SIDE KEYING. THICK. ON CAVITY No.1. THICKNESS 1.5mm
- 18 COLOR STRIP ON COVER OF HOUSING. NOT THE COLOR OF HOUSING.
- 17 SLOT FOR KEYING. SLIM. BETWEEN POSITION
- 16 SLOT FOR KEYING. THICK. BETWEEN POSITION
- 15 KEYING. THICK. BETWEEN POSITION. THICKNESS 0.7mm
- 14 COLOR CODE
- 13 TE LOGO
- 12 PRELIMINARY PART NOT RELEASED FOR PRODUCTION
- 11 KEYING. SLIM. BETWEEN POSITION. THICKNESS 0.45mm
- 10 SLOT FOR SIDE KEYING. ON LAST CAVITY
- 9 SIDE KEYING. SLIM. ON LAST CAVITY. THICKNESS 0.45mm
- 8 INCLUSIVE COPPER LOADING
- 7 PCB PREFERABLY CHAMFERED
- 6 SLOT FOR SIDE KEYING. ON CAVITY NO 1
- 5 SIDE KEYING. ON CAVITY NO. 1. THICKNESS 0.45mm
- 4 WIRE RANGE: 0.22-0.35mm² SEE APPLICATION SPEC. 114-18467
- 3 IEC 60695-2-11 / IEC 60335-1 GLOW WIRE TEST 750 °C WITHOUT FLAME
- 2 MATING PART: PCB (WITH FRAMES ACC. RAST 2.5 E.G. PN 964 575/576) TAB HEADER (FOR EXAMPLE: X-1971817/818-Y)
- 1 KEYING RIBS; CUTTING WITH TERMINATION MACHINE POSSIBLE



THIS DRAWING IS A CONTROLLED DOCUMENT.		DMN H. Karabiyik 24MAY2002	TE Connectivity	
DIMENSIONS:		CHK B. Schnaubelt 24MAY2002	NAME	
mm	TOLERANCES UNLESS OTHERWISE SPECIFIED:	APVD T. Klenner 24MAY2002	AMP DUOPLUG 2.5 MARK II FEMALE CONNECTOR 2-20 POSITION	
0 PLC	±0.2	PRODUCT SPEC	SIZE	RESTRICTED TO
1 PLC	±0.2	108-18785	114-18467	
2 PLC	±0.2	APPLICATION SPEC	SCALE	
3 PLC	±0.2	114-18467	5:1	
4 PLC	±0.2	WEIGHT	1	
ANGLES	±0.1°	Customer Drawing	1	
FINISH	±0.1		4	
			1	
			4	
			4	

LOC	DIST	REVISIONS			
A1	-	REV	DATE	BY	APPV
		1			
		2			
		3			
		4			
		5			
		6			
		7			
		8			
		9			
		10			
		11			
		12			

GWEPT 750°C NO FLAME & UL94-V2. TIN PLATED VERSION										
SL NO	PN	DESCRIPTION	MATERIAL	COLOUR/FINISH						
2	SEE TABLE	CONTACT	CuSn	TINNED						
1	SEE TABLE	HOUSING	HIGH TEMP PLASTIC	NATUR						
GREEN	5	10	14.9	3/4	2-2825353-5					
BLACK	4	7.5	12.4	3/4	3-2825353-4					
ORANGE	3	5	9.9		2825353-3					
Color Code	POS. Polzahl	DIM A	DIM B	KEYING	KEYING	KEYING	KEYING	KEYING	KEYING	PN Bestell-Nr.

GWEPT 750°C NO FLAME & UL94-V2. TIN PLATED VERSION (2-9 POSITION)										
SL NO	PN	DESCRIPTION	MATERIAL	COLOUR/FINISH						
9	20	24.9		2/3	5-1534796-9					
9	20	24.9		4/5	2-1534796-9					
9	20	24.9			3-1534796-9					
9	20	24.9	X	3/4	4-1534796-9					
ORANGE	8	17.5	22.4	2/3	2825353-8					
Brown	8	17.5	22.4	2/3	9-1534796-8					
8	17.5	22.4	X	3/4	8-1534796-8					
8	17.5	22.4		3/4	7-1534796-8					
8	17.5	22.4		3/4	6-1534796-8					
8	17.5	22.4			5-1534796-8					
8	17.5	22.4		X	3-1534796-8					
8	17.5	22.4			2-1534796-8					
Brown	8	17.5	22.4	2/3	1534796-8					
7	15	19.9		2/3	7-1534796-7					
BLUE	7	15	19.9	2/3	6-1534796-7					
BLUE	7	15	19.9	X	4-1534796-7					
7	15	19.9		5/6	5-1534796-7					
7	15	19.9			3-1534796-7					
BLACK	6	12.5	17.4	1/2	2825353-6					
6	12.5	17.4		2/3	9-1534796-6					
6	12.5	17.4		1/2	8-1534796-6					
6	12.5	17.4		3/4	7-1534796-6					
6	12.5	17.4		2/3	6-1534796-6					
BLUE	6	12.5	17.4	4/5	2-1534796-6					
6	12.5	17.4		4/5	5-1534796-6					
6	12.5	17.4			4-1534796-6					
6	12.5	17.4			3-1534796-6					
ORANGE	5	10	14.9	2/3	1-2825353-5					
BROWN	5	10	14.9	2/3	2825353-5					
RED	5	10	14.9	4/5	8-1534796-5					
5	10	14.9		1/2	9-1534796-5					
5	10	14.9		1/2	4-1534796-5					
GREEN	5	10	14.9	3/4	7-1534796-5					
BROWN	5	10	14.9	2/3	6-1534796-5					
5	10	14.9			5-1534796-5					
5	10	14.9			3-1534796-5					
BROWN	5	10	14.9	1/2	0-1534796-5					
4	7.5	12.4		2/3	2-2825353-4					
GREEN	4	7.5	12.4	X	1-2825353-4					
4	7.5	12.4		X	0-2825353-4					
RED	4	7.5	12.4		9-1534796-4					
BLACK	4	7.5	12.4	2/3	8-1534796-4					
BLACK	4	7.5	12.4	3/4	5-1534796-4					
4	7.5	12.4		1/2	6-1534796-4					
4	7.5	12.4	X	1/2	1534796-4					
4	7.5	12.4		3/4	7-1534796-4					
4	7.5	12.4			4-1534796-4					
4	7.5	12.4			3-1534796-4					
RED	3	5	9.9	2/3	2-1534796-3					
3	5	9.9			8-1534796-3					
RED	3	5	9.9	2/3	9-1534796-3					
3	5	9.9		2/3	6-1534796-3					
3	5	9.9		1/2	7-1534796-3					
BLACK	3	5	9.9		5-1534796-3					
3	5	9.9		2/3	4-1534796-3					
3	5	9.9			3-1534796-3					
2	2.5	7.4		1/2	1-1534796-2					
2	2.5	7.4			1534796-2					
Color Code	POS.	DIM A	DIM B	KEYING	KEYING	KEYING	KEYING	KEYING	KEYING	TE P/N
2	SEE TABLE	CONTACT	CuSn	TINNED						
1	SEE TABLE	HOUSING	HIGH TEMP PLASTIC	NATUR						
SL NO	PN	DESCRIPTION	MATERIAL	COLOUR/FINISH						

GWEPT 750°C NO FLAME & UL94-V2. TIN PLATED VERSION (10-20 POSITION)											
SL NO	PN	DESCRIPTION	MATERIAL	COLOUR/FINISH							
20	47.5	52.4		X	3/4	4-1534797-0					
20	47.5	52.4				3-1534797-0					
19	45	49.9				5-1534797-9					
19	45	49.9				4-1534797-9					
19	45	49.9				3-1534797-9					
18	42.5	47.4	X	X		4-1534797-8					
17	40	44.9	X	X		4-1534797-7					
17	40	44.9			10/11	1534797-7					
16	37.5	42.4				3-1534797-6-obsolete					
15	35	39.9	X	X		4-1534797-5					
15	35	39.9				3-1534797-5-obsolete					
14	32.5	37.4				3-1534797-4					
13	30	34.9	X	X		4-1534797-3					
13	30	34.9				3-1534797-3					
12	27.5	32.4			11/12	5-1534797-2					
12	27.5	32.4				X	4-1534797-2				
12	27.5	32.4				3-1534797-2					
12	27.5	32.4	X	X	10/11 2/3	2-1534797-2					
11	25	29.9			5/6	7-1534797-1					
11	25	29.9			10/11	6-1534797-1					
11	25	29.9			10/11	X	5-1534797-1				
11	25	29.9			9/10	4-1534797-1					
11	25	29.9				3-1534797-1					
10	22.5	27.4			2/3	6-1534796-0					
10	22.5	27.4			8/9	4-1534796-0					
10	22.5	27.4				3-1534796-0					
10	22.5	27.4			7/8	7-1534796-0					
Color Code	POS.	DIM A	DIM B	KEYING	KEYING	KEYING	KEYING	KEYING	KEYING	KEYING	TE P/N
2	SEE TABLE	CONTACT	CuSn	TINNED							
1	SEE TABLE	HOUSING	HIGH TEMP PLASTIC	NATUR							
SL NO	PN	DESCRIPTION	MATERIAL	COLOUR/FINISH							

THIS DRAWING IS A CONTROLLED DOCUMENT.

OWN: H. Karabiyik 24MAY2002
 CHK: B. Schnaubelt 24MAY2002
 APVD: T. Klenner 24MAY2002

STE TE Connectivity

NAME: AMP DUOPLUG 2.5 MARK II FEMALE CONNECTOR 2-20 POSITION

PRODUCT SPEC: 108-18785
 APPLICATION SPEC: 114-18667

SIZE: 114-18667
 WEIGHT: -

Customer Drawing

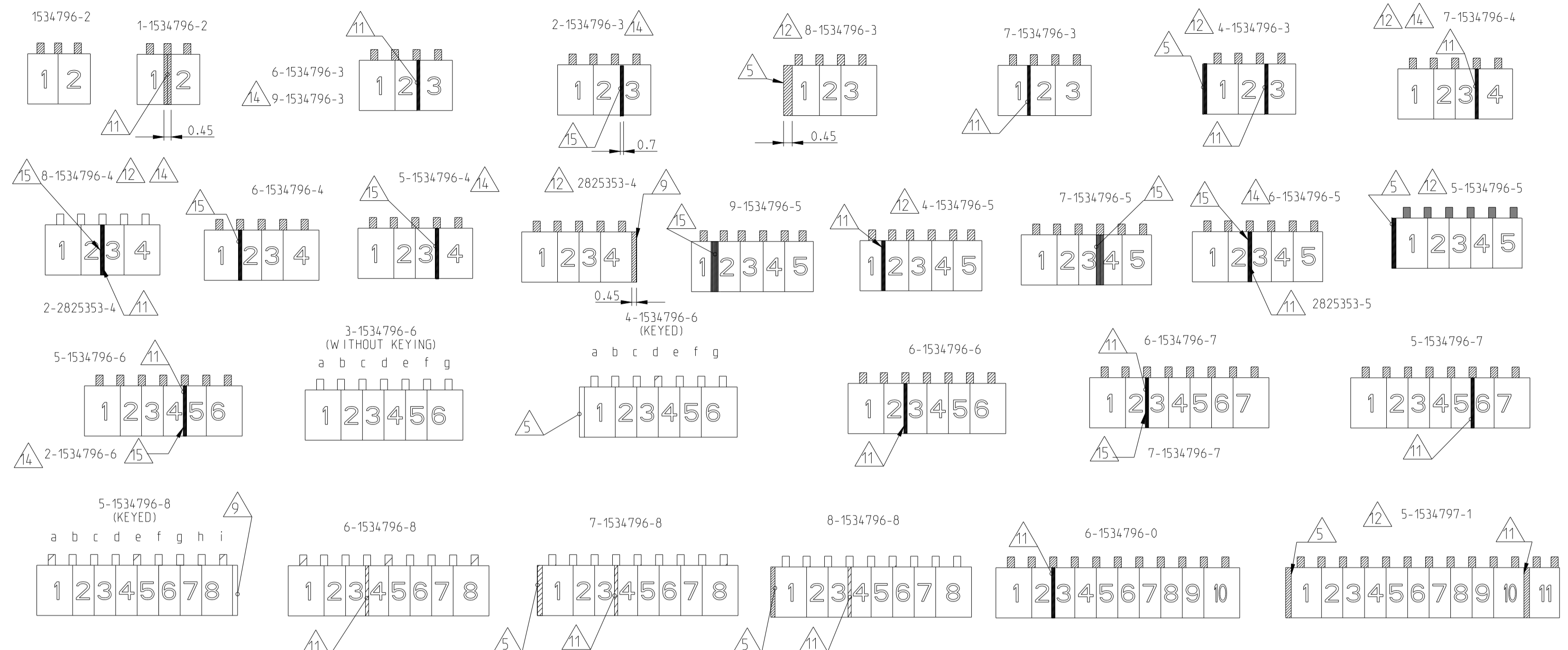
SCALE: 5:1 SHEET: 2 OF 4

RESTRICTED TO: -

4805 (3/11)

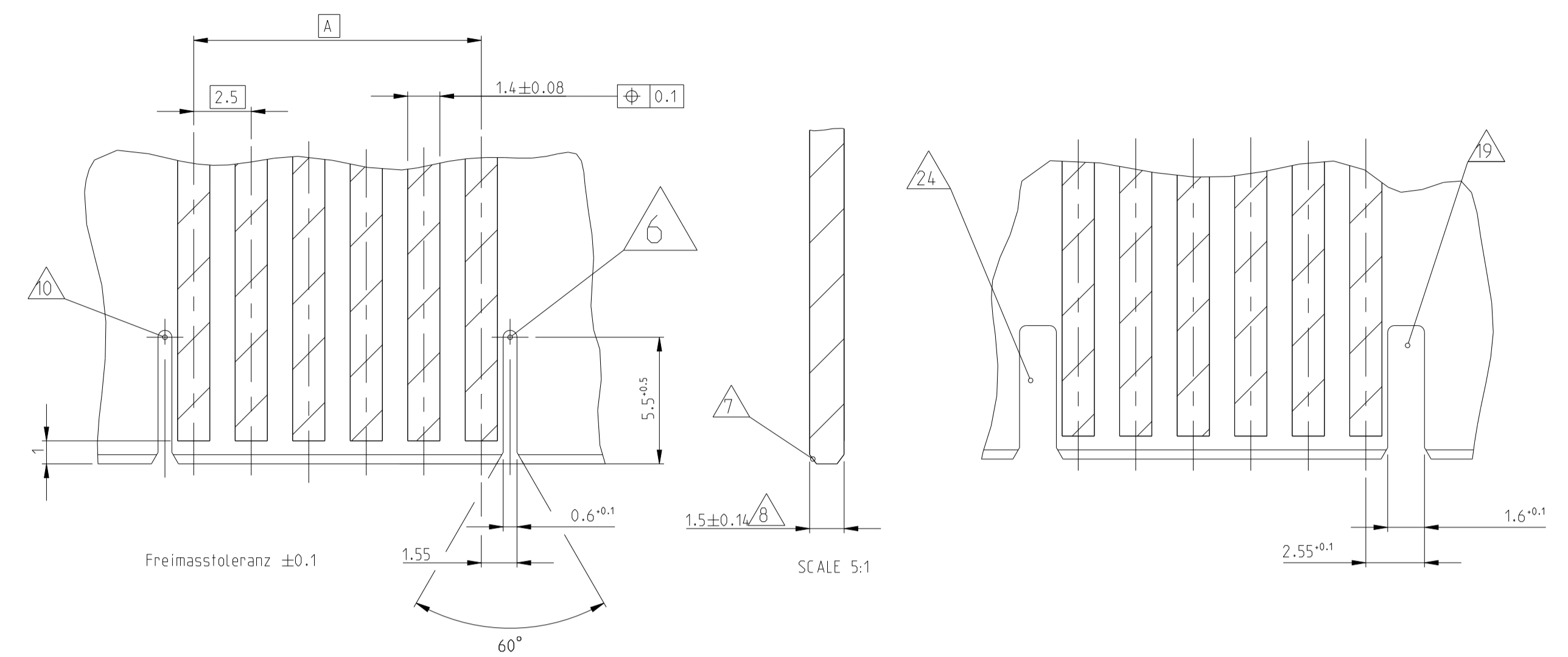
LOC		DIST		REVISIONS				
A1		-		REV	DESCRIPTION	DATE	OWN	APVD
				-	SEE SHEET 1	-	-	-

KEYING PLAN (EXAMPLES)
 Kodierschema (Beispiele)

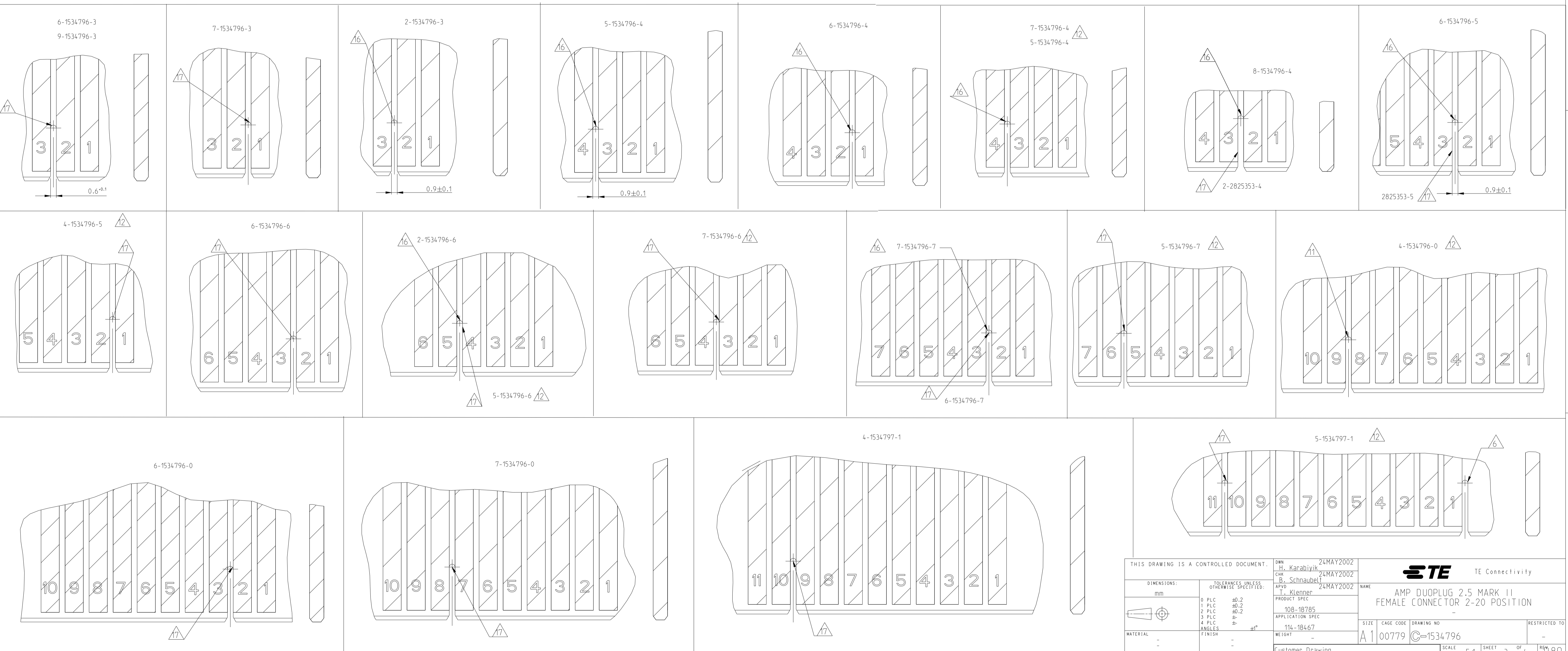


PCB LAYOUT KEYED / CONNECTED ONLY WITH ADDITIONAL FRAME

Leiterplattenanschluss kodiert / nur in Verbindung mit zusätzlichem Rahmen

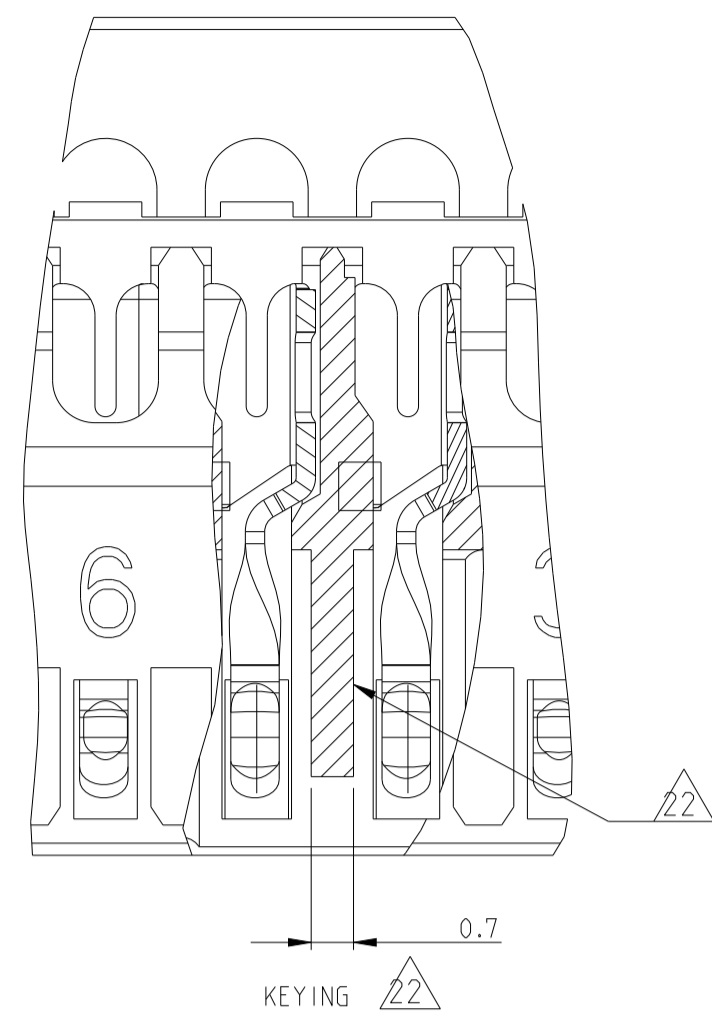
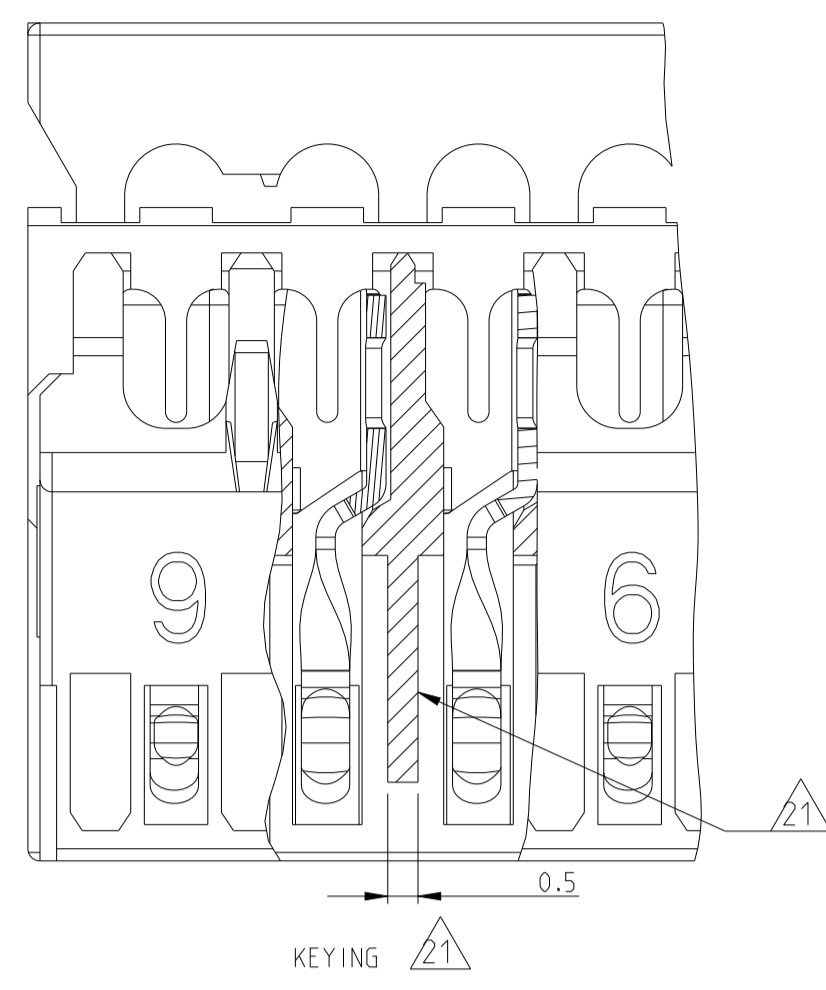


PCB LAYOUT FOR KEYING BETWEEN POSITION



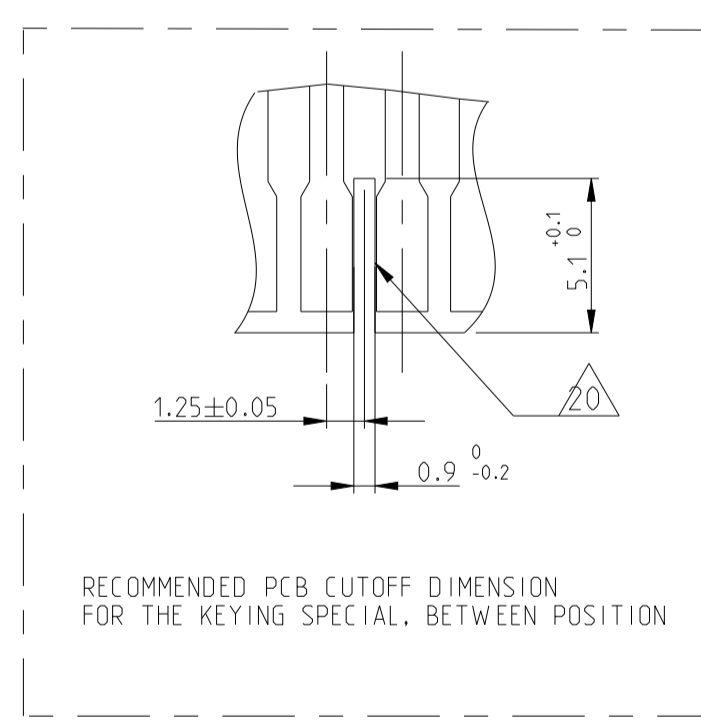
THIS DRAWING IS A CONTROLLED DOCUMENT.		OWN: H. Karabiyik 24MAY2002	TE Connectivity NAME: AMP DUOPLUG 2.5 MARK II FEMALE CONNECTOR 2-20 POSITION SIZE: 114-18467 WEIGHT: - Customer Drawing
DIMENSIONS: mm		CHK: B. Schnaubelt 24MAY2002	
0 PLC ±0.2 1 PLC ±0.2 2 PLC ±0.2 3 PLC ±0.2 4 PLC ±0.2 ANGLES ±1° FINISH -		TOLERANCES UNLESS OTHERWISE SPECIFIED: APVD: T. Klenner 24MAY2002 PRODUCT SPEC: 108-18785 APPLICATION SPEC: - WEIGHT: - Customer Drawing	RESTRICTED TO: - SCALE: 5:1 SHEET 3 OF 4 U89

LOC	DIST	REVISIONS					
		P	LTN	DESCRIPTION	DATE	DMN	APVD
A1	-	-	-	SEE SHEET 1	-	-	-



PA GF. GWEPT 750°C NO FLAME & UL94-V0. TIN PLATED VERSION												
Color Code	POS. Polzahl	DIM A	DIM B	KEYING 11	KEYING 15	KEYING 22	KEYING 21	KEYING 24	KEYING 19	KEYING 9	KEYING 5	PN Bestell-Nr.
Blue	20	47.5	52.4	3/4					X			2-2304526-0
	20	47.5	52.4				3/4		X			1-2304526-0
	14	32.5	37.4									2304526-4
	13	30	34.9						X			2-2304526-3
Blue	13	30	34.9					X				1-2304526-3
	13	30	34.9				2/3					2304526-3
	12	27.5	32.4									2304526-2
	10	22.5	27.4									1-2304525-0
	9	20	24.9	-	-	-	-					3-2304525-9
Blue	8	17.5	22.4	-	-	-	-					2-2304525-8
	8	17.5	22.4	-	-	-	-					1-2304525-8
Brown	8	17.5	22.4	-	-	-	2/3					2304525-8
	7	15	19.9	-	-	-	-					2304525-7
Black	6	12.5	17.4	-	-	-	-					4-2304525-6
GREEN	6	12.5	17.4	-	-	-	1/2					3-2304525-6
Red	6	12.5	17.4	-	-	-	2/3					2-2304525-6
	6	12.5	17.4	-	-	-	-					1-2304525-6
Blue	6	12.5	17.4	-	-	-	4/5					2304525-6
	5	10	14.9	4/5								5-2304525-5
	5	10	14.9		1/2	-	-					4-2304525-5
Green	5	10	14.9	-	-	-	3/4					2-2304525-5
Brown	5	10	14.9	-	-	-	2/3					1-2304525-5
	5	10	14.9	-	-	-	-					2304525-5
Orange	4	7.5	12.4				1/2					5-2304525-4
Black	4	7.5	12.4	-	3/4	-	-					4-2304525-4
Blue	4	7.5	12.4	-	-	-	-					3-2304525-4
	4	7.5	12.4	-	-	-	-					2-2304525-4
Brown	4	7.5	12.4	-	-	-	1/2					1-2304525-4
Black	4	7.5	12.4	-	-	-	3/4					2304525-4
	3	5	9.9					X				7-2304525-3
Red	3	5	9.9				2/3					6-2304525-3
Black	3	5	9.9				1/2					5-2304525-3
	3	5	9.9					X	X			4-2304525-3
Red	3	5	9.9			2/3						3-2304525-3
	3	5	9.9								X	2-2304525-3
	3	5	9.9	-	-	-	-					1-2304525-3
Black	3	5	9.9	-	-	1/2	-					2304525-3
Color Code	POS. Polzahl	DIM A	DIM B	KEYING 11	KEYING 15	KEYING 22	KEYING 21	KEYING 24	KEYING 19	KEYING 9	KEYING 5	PN Bestell-Nr.
		2	SEE TABLE	CONTACT		CuSn		TINNED				
		1	SEE TABLE	HOUSING		HIGH TEMP PLASTIC		NATUR				
		SL NO	PN	DESCRIPTION		MATERIAL		COLOUR/FINISH				

KEYING. SPECIAL THICK. BETWEEN POSITION. THICKNESS 0.7mm
 KEYING. SPECIAL THIN. BETWEEN POSITION. THICKNESS 0.5mm
 SLOT FOR KEYING SPECIAL. BETWEEN POSITION



THIS DRAWING IS A CONTROLLED DOCUMENT.

DIMENSIONS: mm 	TOLERANCES UNLESS OTHERWISE SPECIFIED: 0 PLC ±0.2 1 PLC ±0.2 2 PLC ±0.2 3 PLC ±0.2 4 PLC ±0.2 ANGLES ±° FINISH ±µm	DWN: H. Karabiyik 24MAY2002 CHK: B. Schnaubelt 24MAY2002 APVD: T. Klenner 24MAY2002	STE TE Connectivity NAME: AMP DUOPLUG 2.5 MARK II FEMALE CONNECTOR 2-20 POSITION PRODUCT SPEC: 108-18785 APPLICATION SPEC: 116-18467 WEIGHT: - Customer Drawing
MATERIAL: - FINISH: -	SCALE: 5:1 SHEET: 4 OF 4 REVISION: U89	SIZE: A1 CAGE CODE: 00779 DRAWING NO: C=1534796	RESTRICTED TO: -