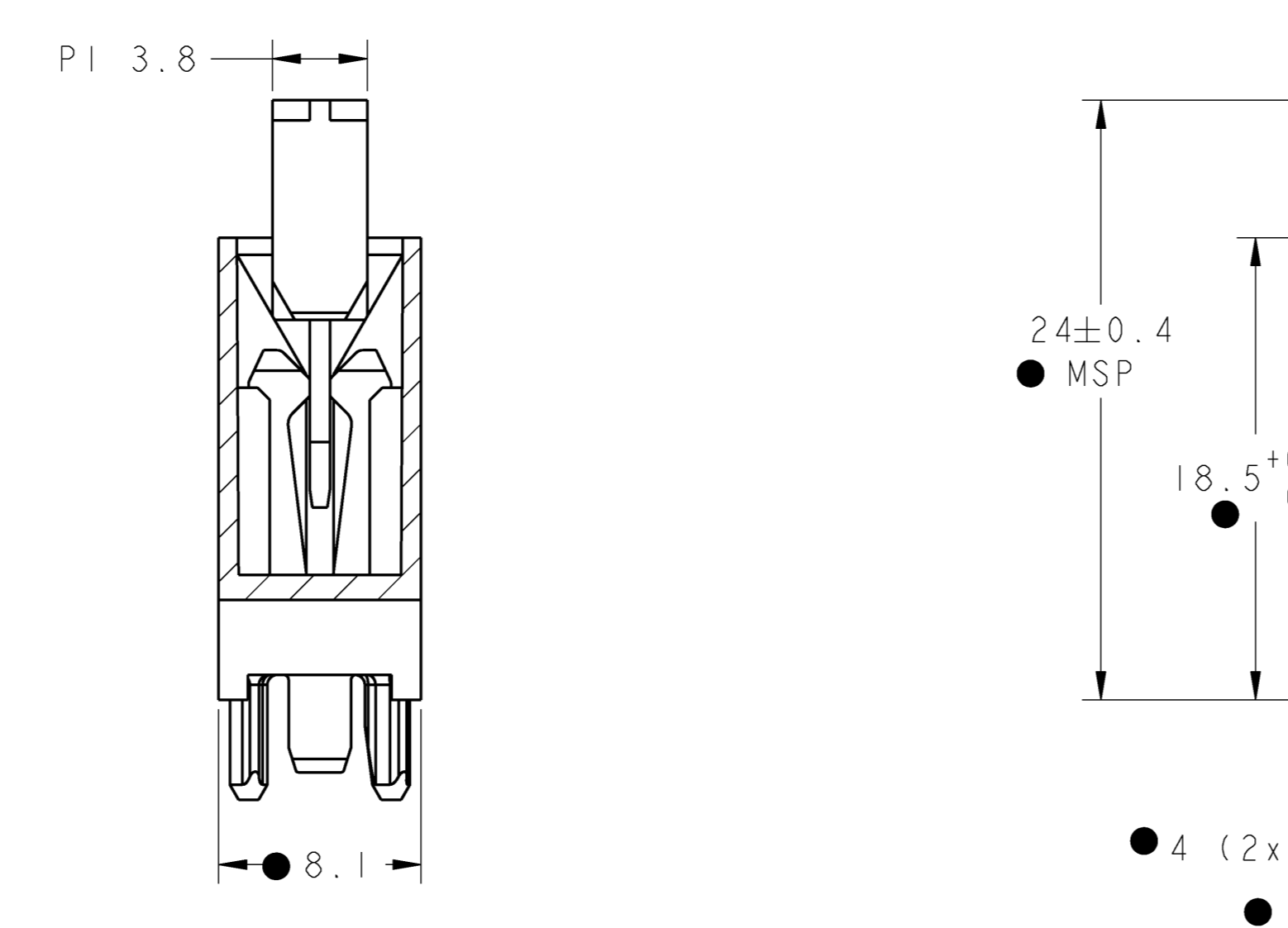
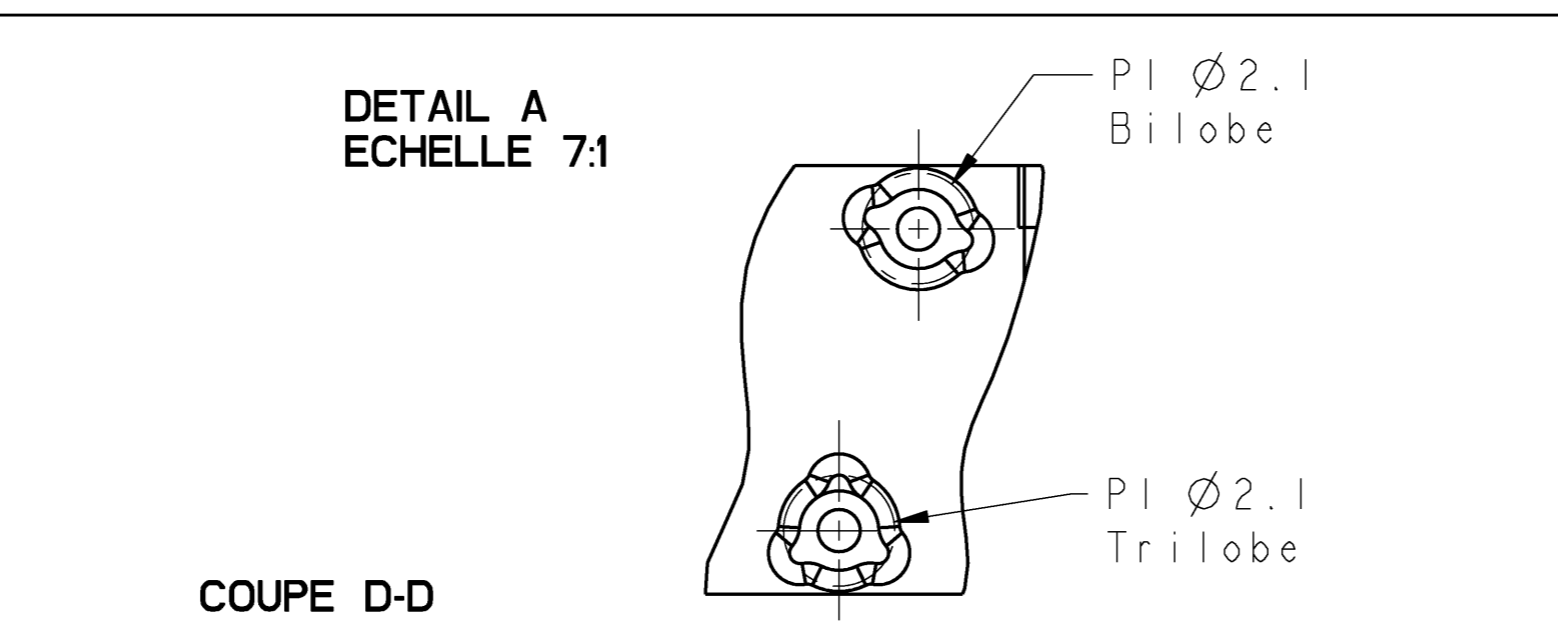
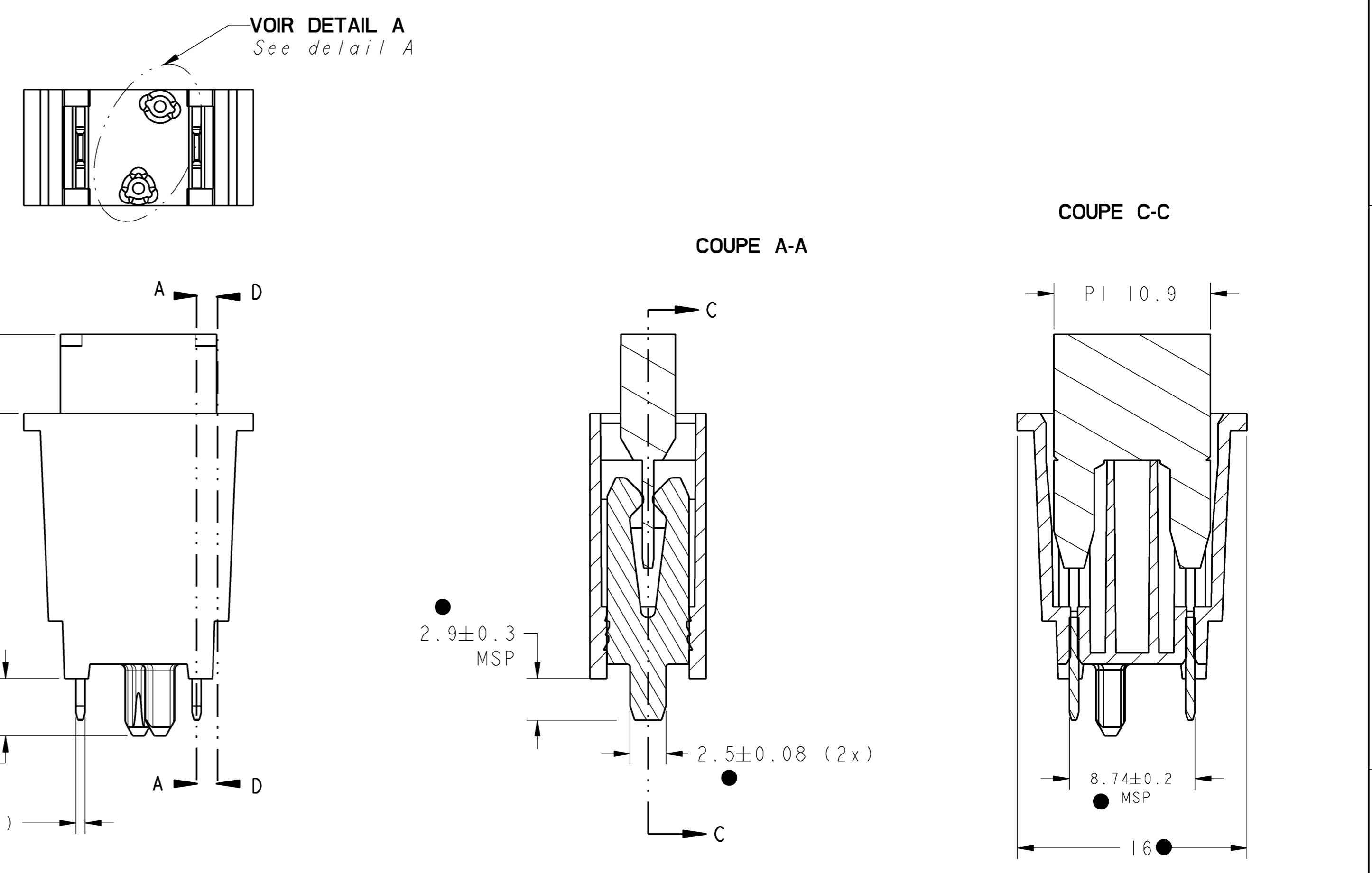
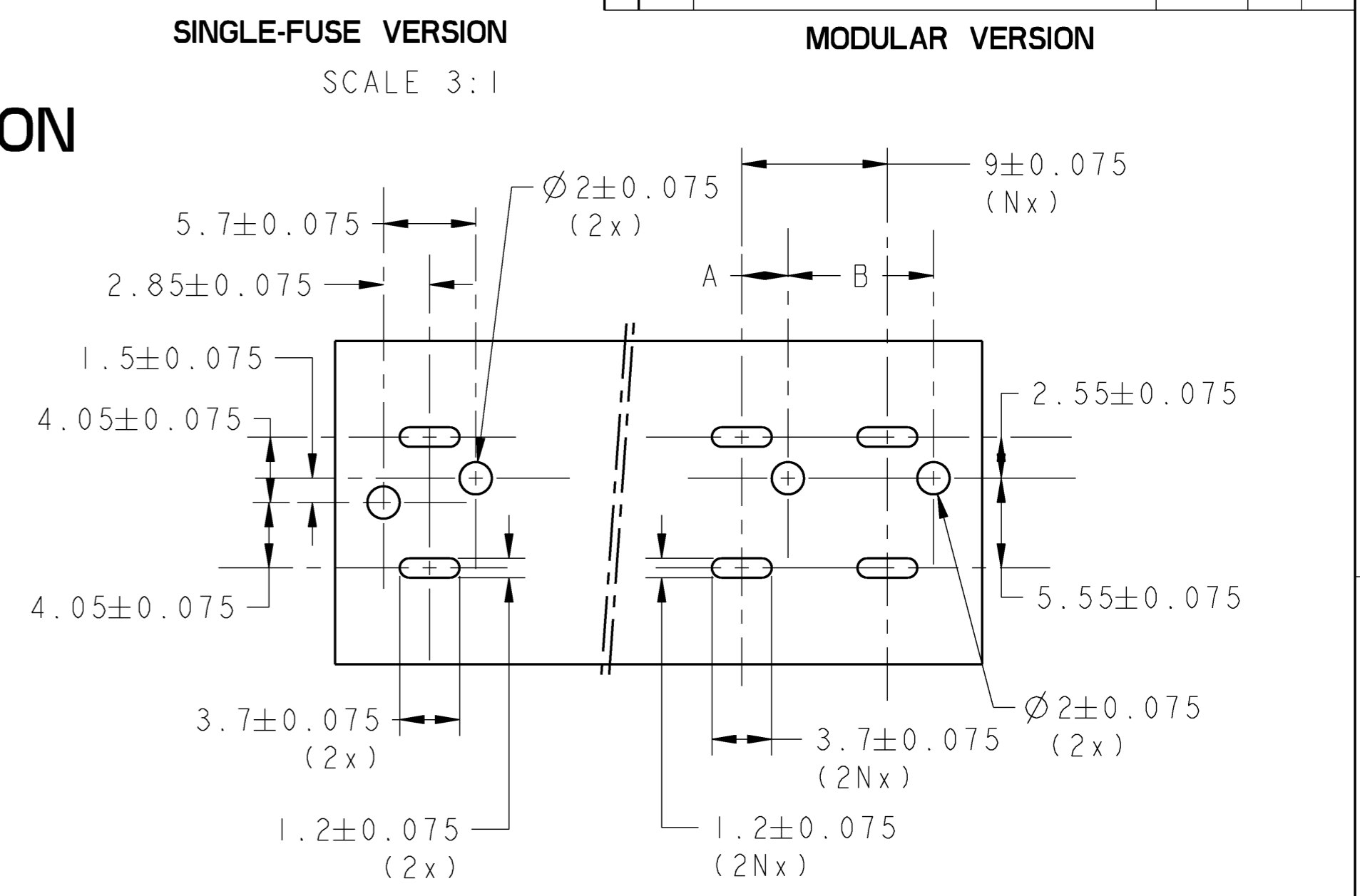


P/N TYCO	fuse rating / "trilobe" location spigot							Remarques / Observations	Dimension mm			
	1	2	3	4	5	6	7		X	Y	Z	P
0-1544548-1	10 A	/	/	/	/	/	/		8.1			/
0-1544548-2	20 A	/	/	/	/	/	/		±0.1			
0-1544548-3	15 A	/	/	/	/	/	/					
1-1544548-9	NE	NE	/	/	/	/	/					
0-1544548-4	10 A	10 A	/	/	/	/	/		17.1		9	
0-1544548-5	10 A	15 A	/	/	/	/	/		±0.1		±0.1	
0-1544548-6	15 A	15 A	/	/	/	/	/					
NON LANCEE	15 A	10 A	15 A	/	/	/	/					
NON LANCEE	15 A	20 A	10 A	/	/	/	/		26.1		18	
NON LANCEE	10 A	10 A	15 A	/	/	/	/		±0.1		±0.1	
NON LANCEE	20 A	20 A	20 A	/	/	/	/					
0-1544548-8	10 A	15 A	10 A	10 A	/	/	/		35.1	16	27	
1-1544548-4	15 A	7.5A	7.5A	15 A	/	/	/		±0.1	±0.1	±0.1	
2-1544548-3	15 A	10A	7.5A	10 A	/	/	/					
0-1544548-9	10 A	10 A	10 A	10 A	20 A	/	/		44.1		36	
1-1544548-0	10 A	10 A	10 A	10 A	NE	/	/	(2x3pts)	±0.15		±0.15	
1-1544548-5	7.5A	7.5A	7.5A	20 A	10 A	15 A	/					
1-1544548-6	10 A	15 A	25 A	15 A	15 A	7.5A	/					
1-1544548-1	5 A	10 A	10 A	NE	10 A	20 A	/		53.1		45	
1-1544548-2	7.5A	7.5A	15 A	5 A	7.5 A	5 A	/		±0.15		±0.15	
1-1544548-3	NE	NE	10 A	NE	NE	NE	/					
2-1544548-0	15 A	15 A	15 A	15 A	10 A	25 A	/					
2-1544548-1	10 A	7.5A	7.5A	25 A	7.5A	15 A	/	(2x3pts)				
1-1544548-7	7.5A	15 A	7.5A	7.5A	7.5A	7.5A	15 A		62.1		54	
2-1544548-2	7.5A	7.5A	7.5A	15 A	7.5A	7.5A	15 A		±0.15		±0.15	



### DRILLING SPECIFICATION

Version	A ±0.075	B ±0.075	N
1	See facing		
2	2.85	9	2
3	2.85	18	3
4	2.85	27	4
5	11.85	27	5
6	11.85	27	6
7	11.85	27	7



NOTA:  
 Dépouille générale / General draft : 1°  
 ● : côte fonctionnelle / fonctionnal dimension  
 MSP : côte suivie en MSP / SPS following dimension  
 PI : côte pour information / for information  
 ( ) : côte répétée / repeted dimension  
 NE : Non Equipé / without fuse

Matière plastique / plastic material : PBT 10% FV HB  
 Matière contact / contact material : CuFe2P  
 Post-étamage : Sn (3à5µ) sur sous couche nickel  
 Post Tin plated : Sn (3 to5µ) under nickel layer

Conforme au plan fusible / According to the fuse drawing:  
 "Littlefuse" N° 0297000 ind: B  
 Force d'insertion d'un module sur calibre acier /  
 matting force on steel gauge  
 avec diamètre nominal / with nominal diameter = 2mm :  
 8N √ FI √ 60N

TYCO ELECTRONICS France SAS BP 39, 95301 CERGY-PONTOISE Cedex		TYCO ELECTRONICS France SAS BP 39, 95301 CERGY-PONTOISE Cedex	
APPROVED BY: P. CHARLES DATE: 13NOV2002	APPROVED BY: J. DABIEZ DATE: 20NOV2002	NAME: MINI FUSE HOLDER BOITIER MINI-FUSE	RESTRICTED TO RESERVE A
PRODUCT SPEC: C. GINET	APPLICATION SPEC: 107-15514	SIZE: A1	SCALE: 4:1
WEIGHT: 1=2.70gr	CUSTOMER DRAWING: /PLAN CLIENT	UNIFORM: UNIFORM	SHEET: 1 OF 1