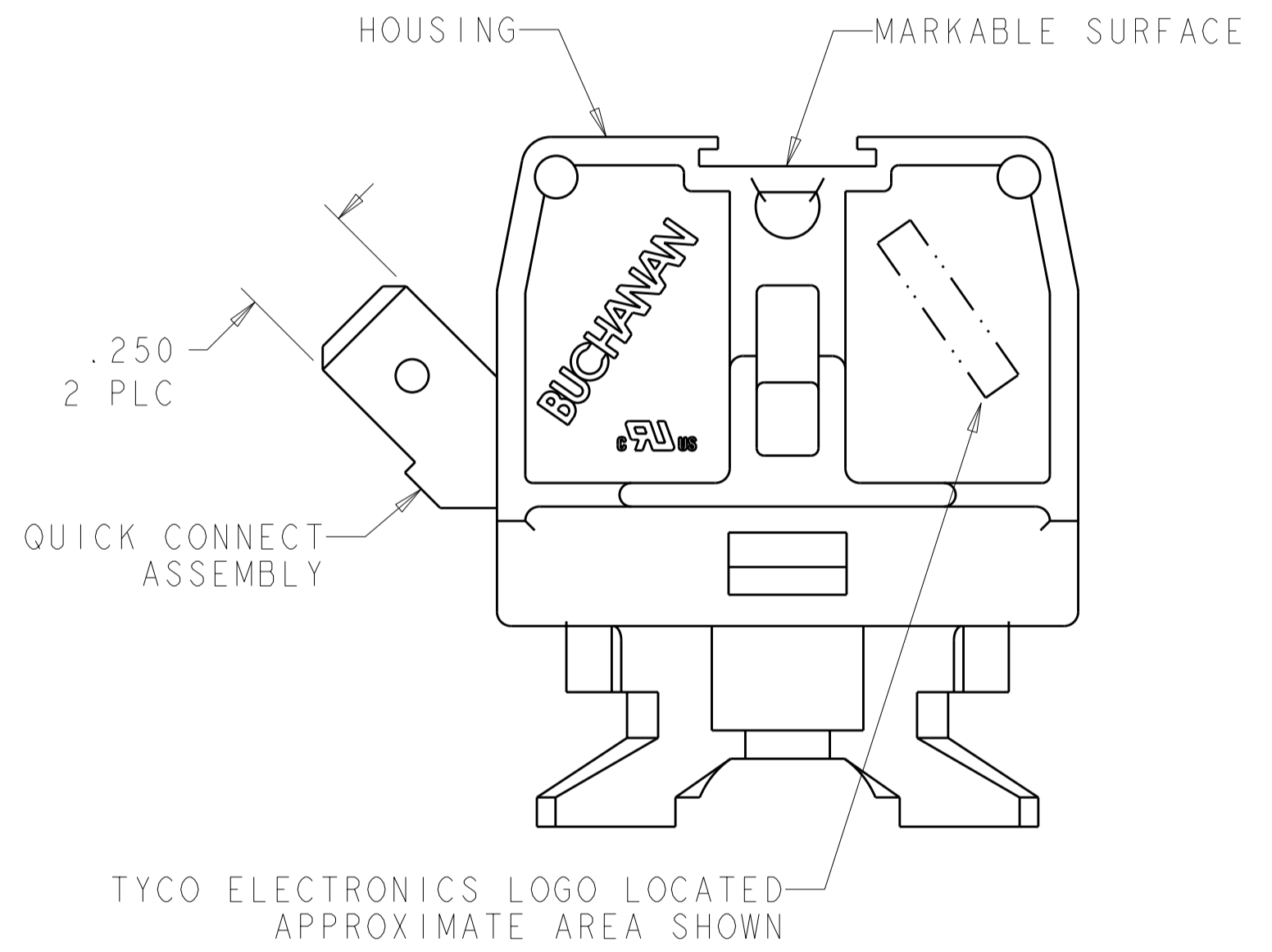
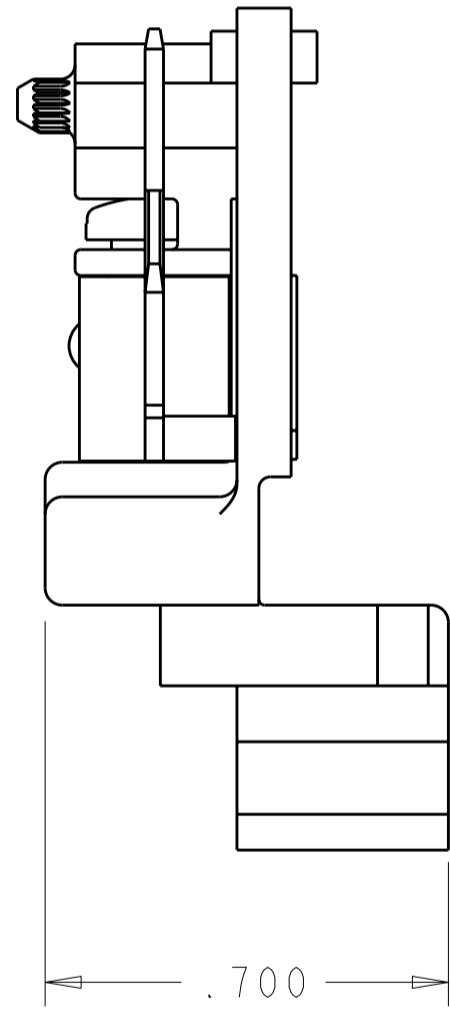
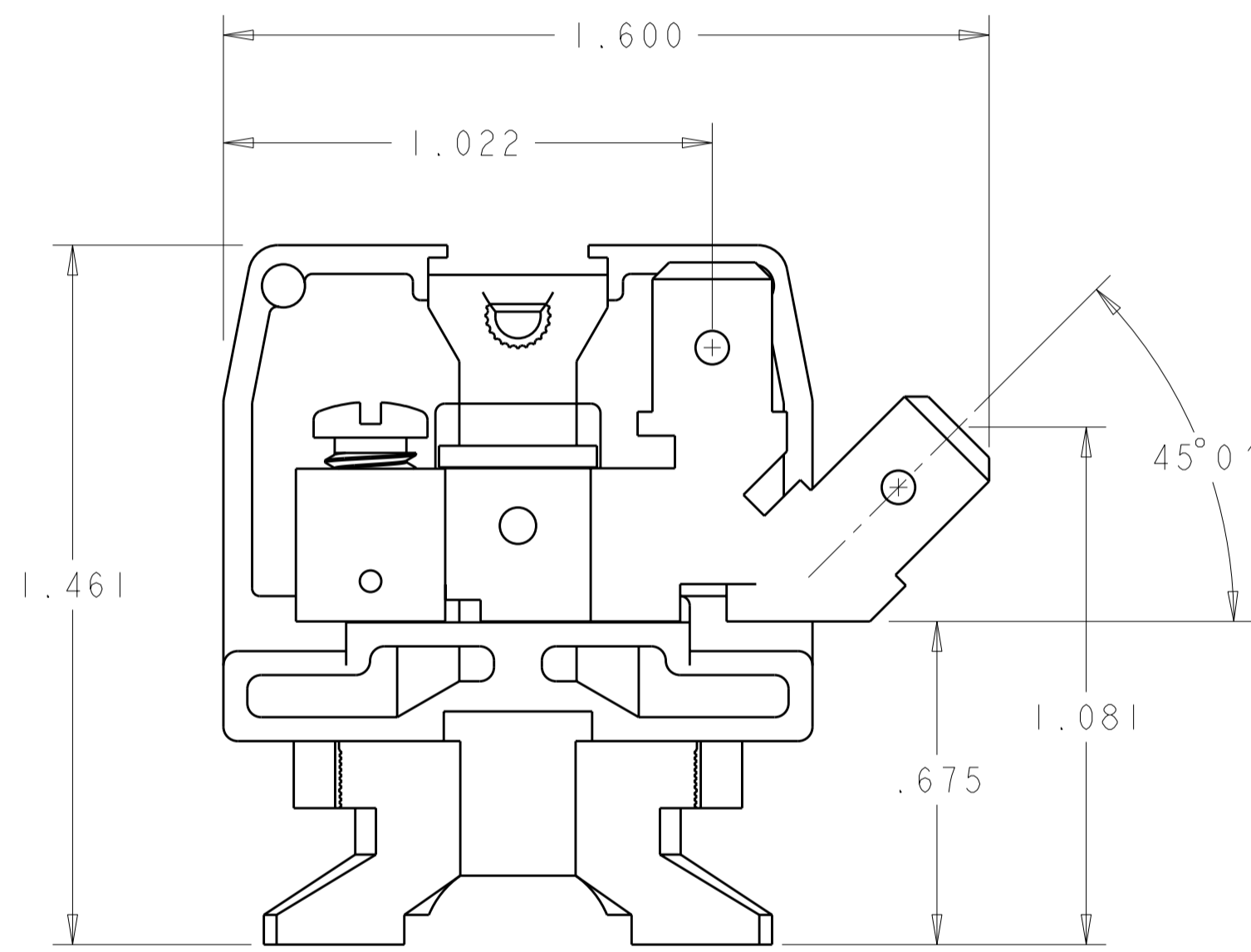
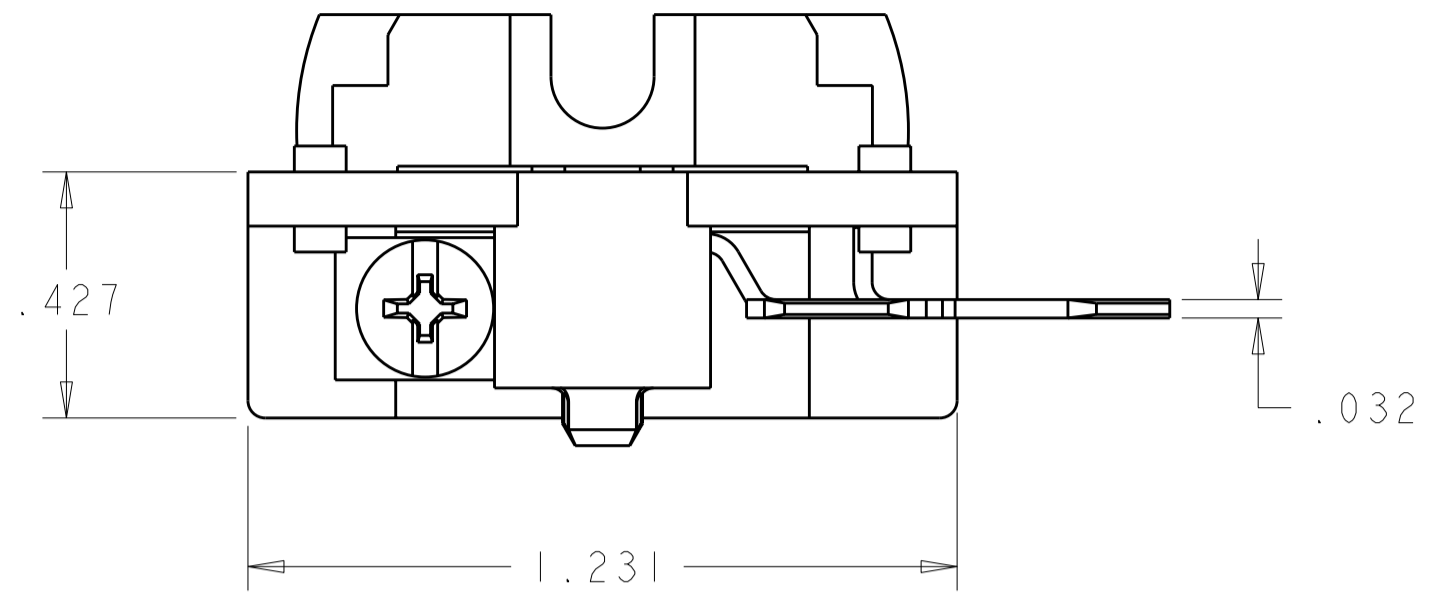


THIS DRAWING IS UNPUBLISHED. RELEASED FOR PUBLICATION 20  
 © COPYRIGHT 20 BY TYCO ELECTRONICS CORPORATION. ALL RIGHTS RESERVED.

LOC	DIST	REVISIONS			
P	LTR	DESCRIPTION	DATE	DWN	APVD
FT	0				
	C	REVISED PER ECO-10-006414	26MAR2010	HMR	CR



1. PHYSICAL PROPERTIES  
 HOUSING: POLYESTER, UL 94V-0 RATED, COLOR: GRAY.  
 QUICK CONNECT ASSEMBLY  
 QUICK CONNECT: COPPER ALLOY, TIN PLATED.  
 SCREW: STEEL, ZINC PLATED CLEAR CHROMATE.  
 TUBULAR CONTACT: COPPER ALLOY, ZINC PLATED
2. MECHANICAL  
 PITCH: .375  
 MOUNTING: STANDARD CHANNEL AND CLAMP.  
 OPERATING TEMPERATURE: 150°C MAX.  
 TORQUE: RECOMMENDED TIGHTENING TORQUE IS 10 IN-LBS.
3. ELECTRICAL  
 MAXIMUM CURRENT: 20A  
 OPERATING VOLTAGE: 300 V  
 WIRE RANGE: 12-18 AWG.

1546152-1  
 PART NUMBER

<small>THIS DRAWING IS A CONTROLLED DOCUMENT FOR TYCO ELECTRONICS CORPORATION. IT IS SUBJECT TO CHANGE AND THE CONTROLLING ENGINEERING ORGANIZATION SHOULD BE CONTACTED FOR THE LATEST REVISION.</small>		DWN S. WELDON 18JUN2002 CHK S. YODER 18JUN2002 APVD S. YODER 18JUN2002	Tyco Electronics Harrisburg, PA 17105-3608
DIMENSIONS: INCHES	TOLERANCES UNLESS OTHERWISE SPECIFIED: 0 PLC ± 1 PLC ± 2 PLC ± 3 PLC ±.005 4 PLC ± ANGLES ± FINISH	PRODUCT SPEC APPLICATION SPEC WEIGHT	NAME ASSEMBLY, TERMINAL BLOCK, NEMA, DOVETAIL BASE, MEDIUM DUTY, TUBULAR QUICK CONNECT SIZE A2 CAGE CODE 00779 DRAWING NO. 1546152 RESTRICTED TO -
MATERIAL	FINISH	CUSTOMER DRAWING	SCALE 3:1 SHEET 1 OF 1 REV C