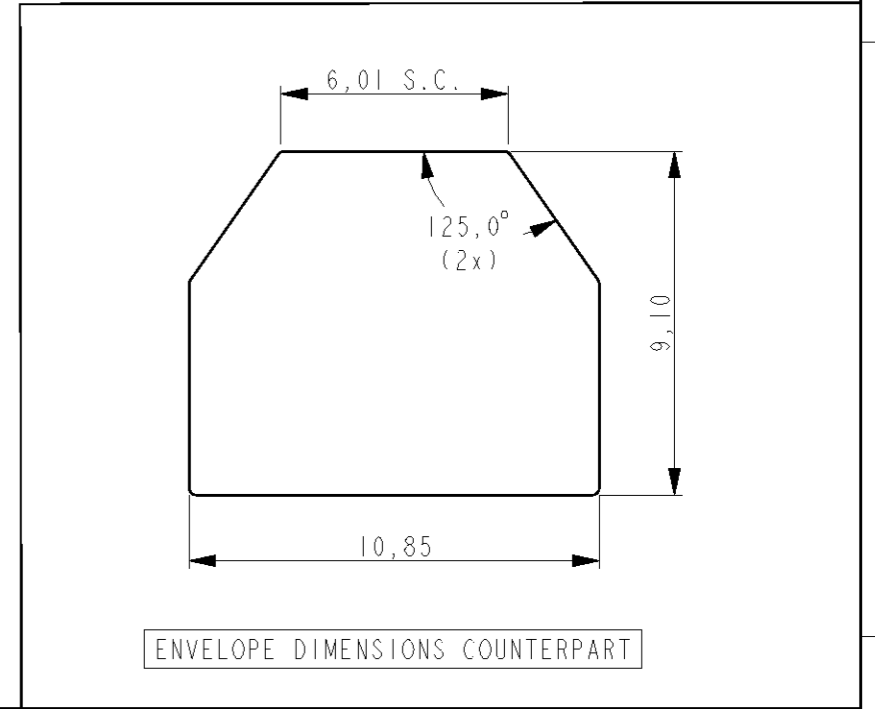
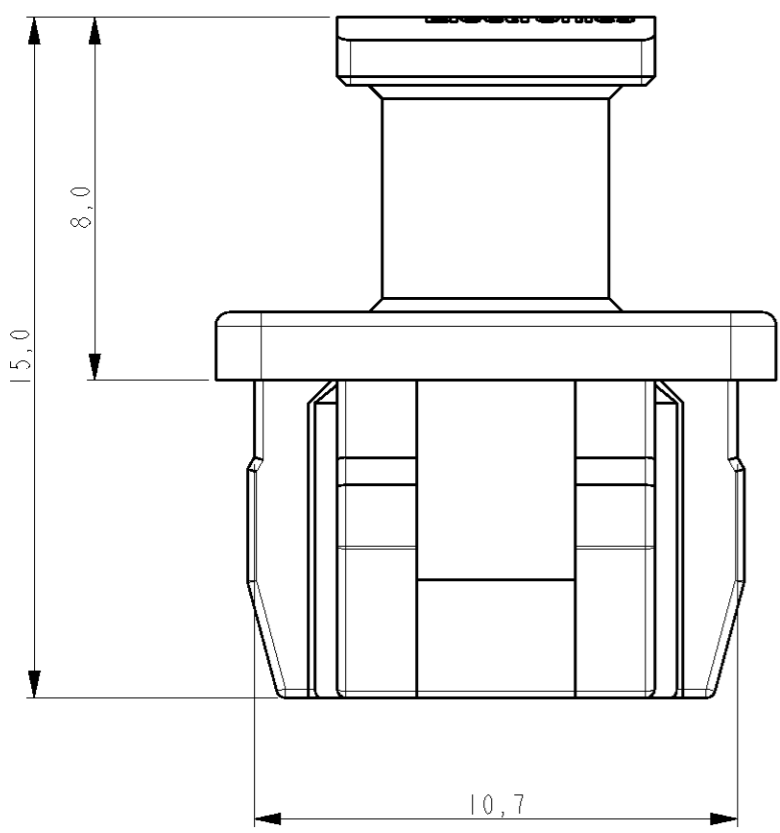
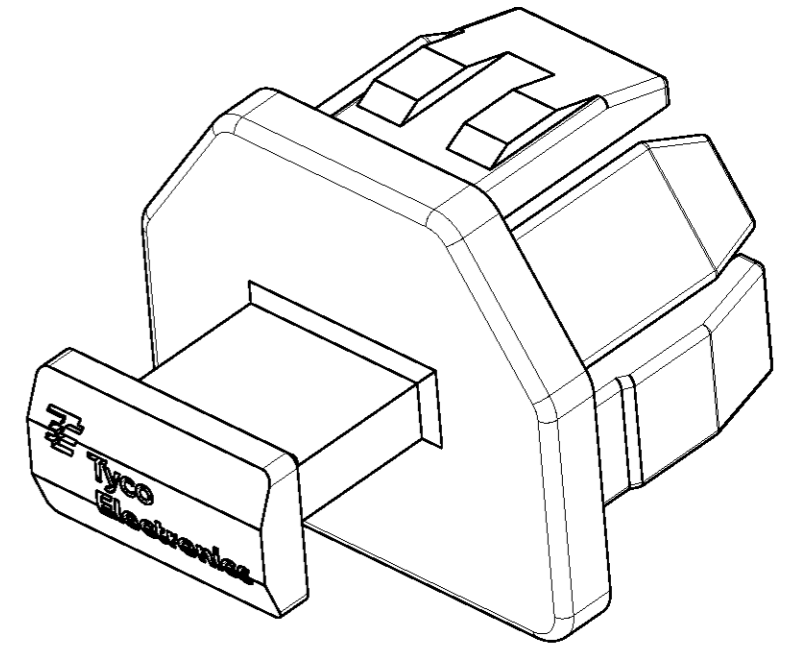
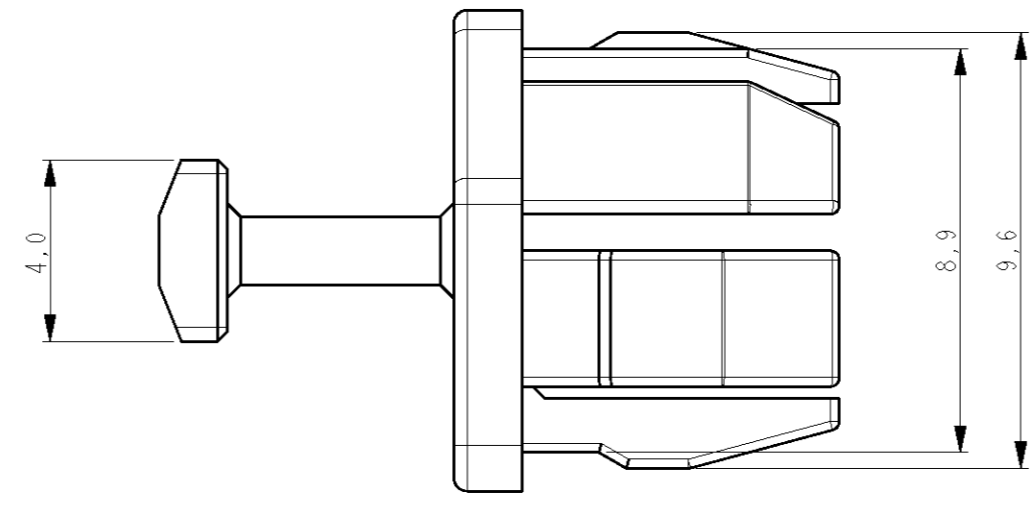
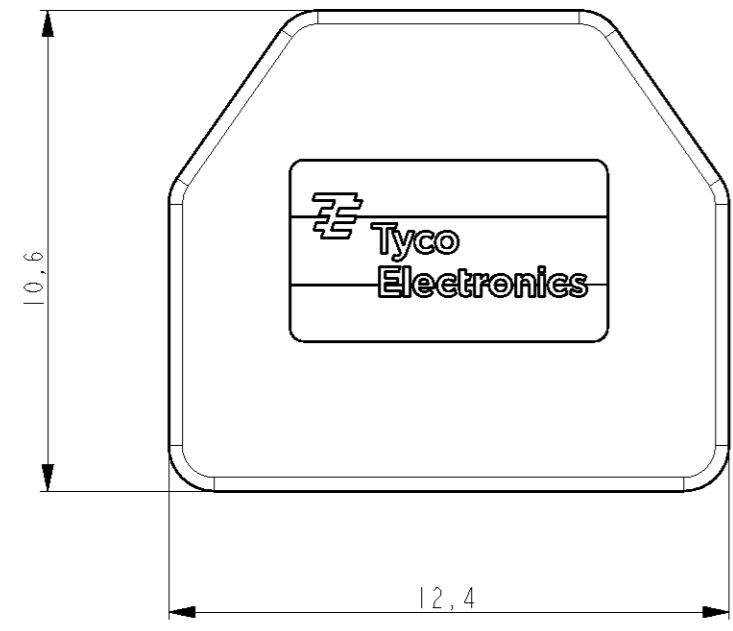


THIS DRAWING IS UNPUBLISHED. RELEASED FOR PUBLICATION
 © COPYRIGHT - BY TYCO ELECTRONICS CORPORATION. ALL RIGHTS RESERVED.

LOC	DIST	REVISIONS			
P	LTR	DESCRIPTION	DATE	DWN	APVD
H	-	A	RELEASED PER ECO-11-001660	25 JAN 2011	JS TdB



1551464-1 AS SHOWN

NOTES:

- 1 - COMPATIBLE WITH
- "KEYED I/O BOARD CONNECTOR 22 POS" (1551454-1)

<small>THIS DRAWING IS A CONTROLLED DOCUMENT FOR TYCO ELECTRONICS CORPORATION IT IS SUBJECT TO CHANGE AND THE CONTROLLING ENGINEERING ORGANIZATION SHOULD BE CONTACTED FOR THE LATEST REVISION.</small>		DWN J Smits 11 DEC 2009 CHK R Verbeet APVD T de Boer		Tyco Electronics Corporation 's-Hertogenbosch, Nederland	
DIMENSIONS: mm		TOLERANCES UNLESS OTHERWISE SPECIFIED: 0 PLC ±- 1 PLC ±0,2 2 PLC ±0,1 3 PLC ±- 4 PLC ±- ANGLES ±-		NAME DUSTCOVER KEYED I/O BOARD CONNECTOR 22 POS	
MATERIAL ABS BLACK		FINISH -		PRODUCT SPEC - APPLICATION SPEC - WEIGHT -	
CUSTOMER DRAWING		SCALE 5:1		SIZE A3 CAGE CODE 00779 DRAWING NO ©=1551464 RESTRICTED TO - SHEET 1 OF 1 REV A	