

4

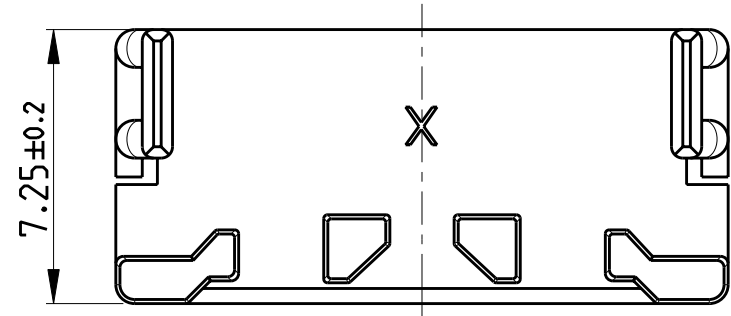
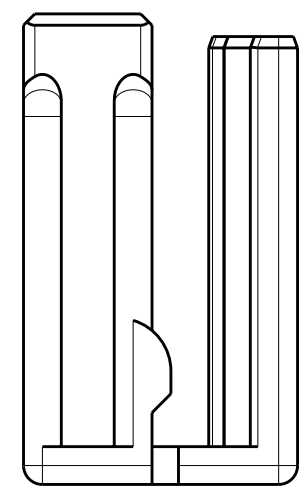
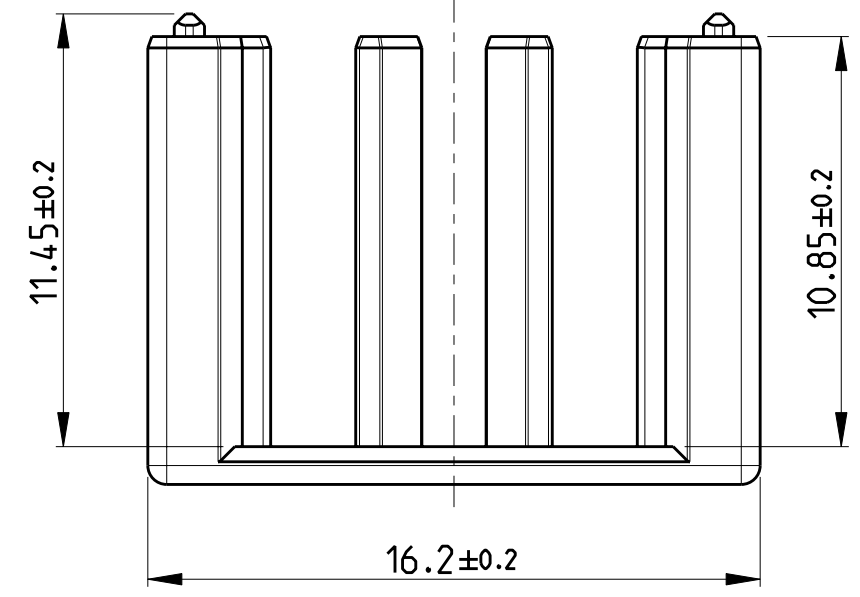
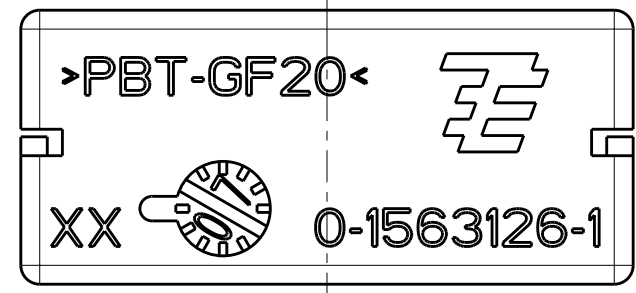
3

2

1

THIS DRAWING IS UNPUBLISHED. RELEASED FOR PUBLICATION 2008
 © COPYRIGHT 2008 BY TYCO ELECTRONICS CORPORATION. ALL RIGHTS RESERVED.

| LOC | DIST | REVISIONS | | | |
|-----|------|-------------|-------------|-----------|-------|
| P | LTR | DESCRIPTION | DATE | DWN | APVD |
| A1 | - | A | NEW DRAWING | 30JAN2008 | GP GM |
| | | | | | |
| | | | | | |



NOTES:
Bemerkungen:

- DELIVERY CONDITION: LOOSE PIECES
Anlieferungszustand: Teile lose beigelegt
- MATED WITH TE-PN: 0-1563125-1
Verwendet mit TE-PN: 0-1563125-1
- MATED WITH TE-PN: 0-2112416-1
Verwendet mit TE-PN: 0-2112416-1

| | | | |
|---|---|--|--|
| <small>THIS DRAWING IS A CONTROLLED DOCUMENT FOR TYCO ELECTRONICS CORPORATION IT IS SUBJECT TO CHANGE AND THE CONTROLLING ENGINEERING ORGANIZATION SHOULD BE CONTACTED FOR THE LATEST REVISION.</small> | | DWN G.PUCKEL 30JAN2008 CHK K.ROTH 30JAN2008 APVD G.MUMPER 30JAN2008 | Tyco Electronics AMP GmbH 64625 Bensheim (Germany) |
| DIMENSIONS: mm | TOLERANCES UNLESS OTHERWISE SPECIFIED: 0 PLC ±0.30 1 PLC ±0.30 2 PLC ±0.30 3 PLC ± 4 PLC ± ANGLES ±2° | PRODUCT SPEC - APPLICATION SPEC - WEIGHT - | NAME SECONDARY LOCK FOR 10 POS. MIXED TAB HOUSING 8 x MCON1.2 AND 2 x MCP2.8 |
| MATERIAL - | FINISH - | SIZE A3 CAGE CODE 00779 DRAWING NO C=1563126 RESTRICTED TO - | SCALE 5:1 SHEET 1 OF 1 REV A |
| CUSTOMER DRAWING | | | |