

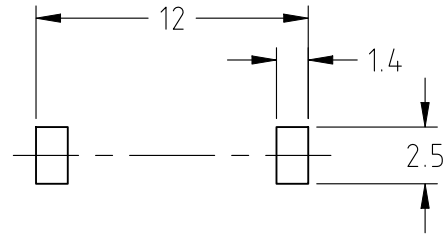
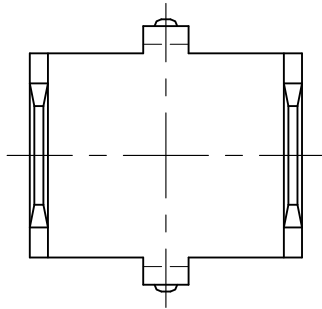
REVISIONS					
P	LTR	DESCRIPTION	DATE	DWN	APVD
	B3	REVISED PER ECR-23-188661	17OCT2023	SS	RE
	B2	REVISED PER ECR-20-005366	21APR2020	SS	DL

注記：
1. 本製品の旧管理型番は3111-0である。

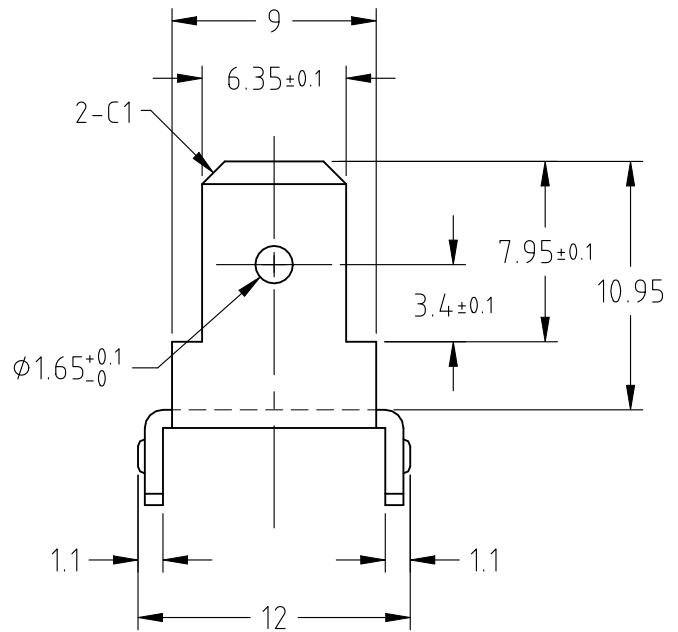
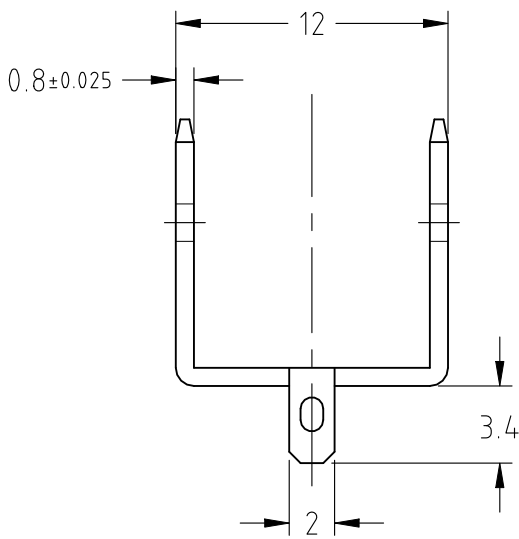
本図-1を示す。
AS SHOWN-1

NOTE:
1. THE FORMER P/N OF THIS PRODUCT:3111-0

△OBSOLETE PARTS: OBSOLETE CIS STREAMLINING PER D.RENAUD/D.SINISI



参考:取付基板穴寸法
(NOTE: APPLICABLE P.C.B LAY OUT)



△2	OBSOLETE	BRASS WITH TIN PLATING	-1565047-1-
		MATERIAL AND FINISH	PART NUMBER

TE Connectivity. All Rights Reserved.

©

DIMENSIONS: mm	DWN Y.YAMADA	26NOV01	MATERIAL SEE TABLE	FINISH SEE TABLE
	CHK M.SHINDO	26NOV01	TE Connectivity Ltd.	
TOLERANCES UNLESS OTHERWISE SPECIFIED:	APVD M.SHINDO	26NOV01		
	0 PLC ± ±0.2 1 PLC ± ±0.2 2 PLC ANGLES ±3° 3 PLC ANGLES ±3° 4 PLC ANGLES ± ±	PRODUCT SPEC		SIZE A4
	APPLICATION SPEC		DRAWING NO C-1565047	RESTRICTED TO -
	WEIGHT		CUSTOMER DRAWING	
		SCALE 3:1	SHEET 1 OF 7	REV B3

REVISIONS					
P	LTR	DESCRIPTION	DATE	DWN	APVD
-	-	SEE SHEET 1	-	-	-

本図-2示す。
AS SHOWN-2

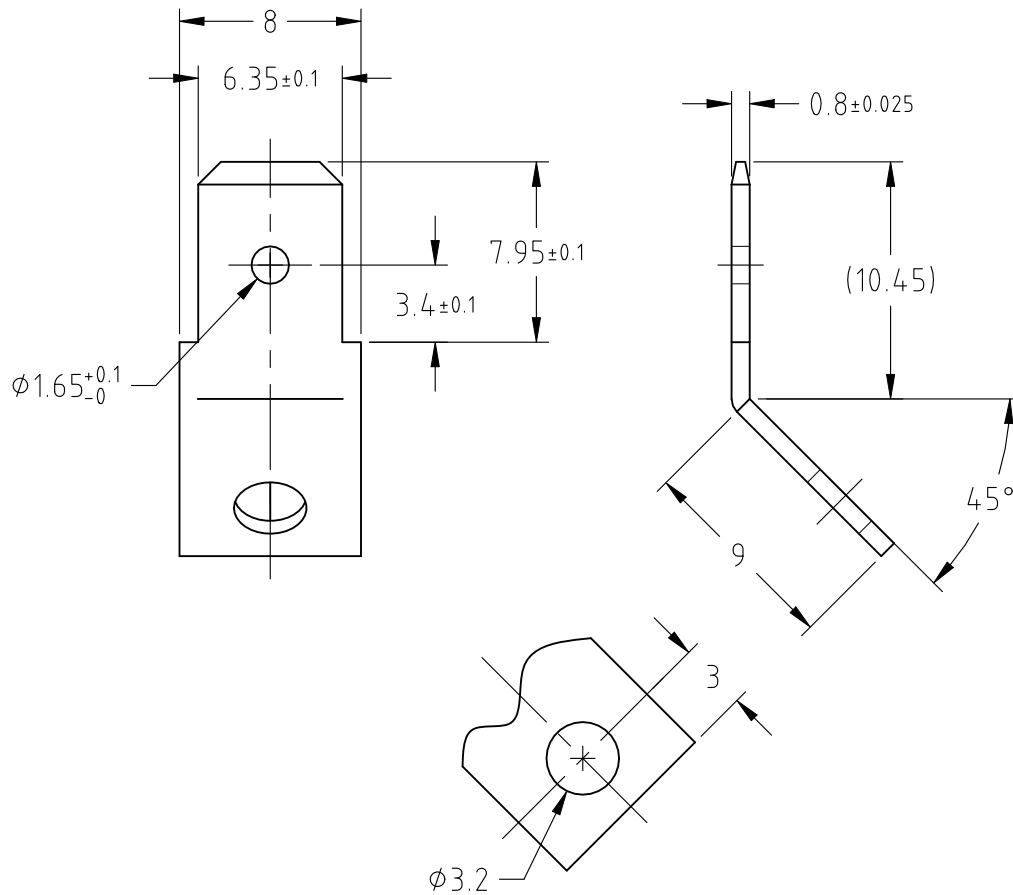
注記:

1. 本製品の旧管理型番は3149-0である。

NOTE:

1. THE FORMER P/N OF THIS PRODUCT:3149-0

 OBSOLETE PART


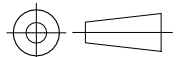


	BRASS WITH TIN PLATING	-1565047-2
	MATERIAL AND FINISH	PART NUMBER

TE Connectivity. All Rights Reserved.

1

©

DIMENSIONS: mm	DWN Y,YAMADA	26NOV01	MATERIAL SEE TABLE	FINISH SEE TABLE
	CHK M.SHINDO	26NOV01	 TE Connectivity Ltd.	
TOLERANCES UNLESS OTHERWISE SPECIFIED:	APVD M.SHINDO	26NOV01		
	0 PLC ± ±0.2 1 PLC ± ±0.2 2 PLC ANGLES ±3° 3 PLC ANGLES ±3° 4 PLC ANGLES ± ±	PRODUCT SPEC		SIZE A4
	APPLICATION SPEC		DRAWING NO C-1565047	RESTRICTED TO -
	WEIGHT		SCALE 3:1	
CUSTOMER DRAWING			SHEET 2 OF 7	REV B3

REVISIONS					
P	LTR	DESCRIPTION	DATE	DWN	APVD
-	-	SEE SHEET 1	-	-	-

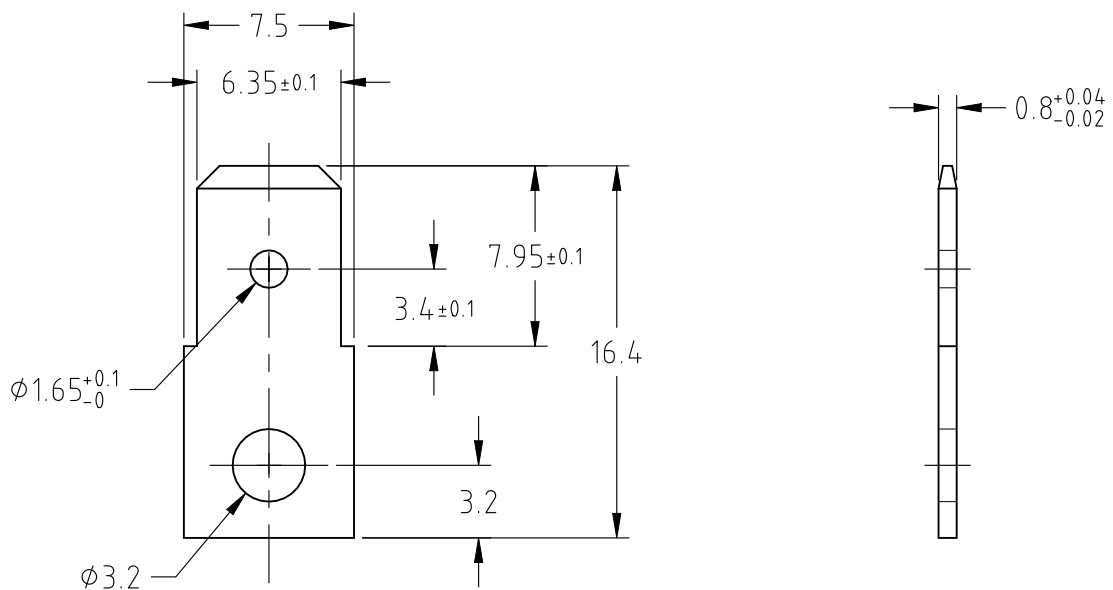
本図-3を示す。
AS SHOWN-3

注記:

1. 本製品の旧管理型番は3158-0である。

NOTE:

1. THE FORMER P/N OF THIS PRODUCT:3158-0



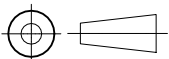
OBSOLETE

BRASS WITH TIN PLATING	1565047-3
MATERIAL AND FINISH	PART NUMBER

TE Connectivity. All Rights Reserved.



DIMENSIONS: mm	DWN Y,YAMADA	26NOV01	MATERIAL SEE TABLE	FINISH SEE TABLE
	CHK M.SHINDO	26NOV01	TE Connectivity Ltd.	
TOLERANCES UNLESS OTHERWISE SPECIFIED:	APVD M.SHINDO	26NOV01		
	0 PLC ± ±0.2	PRODUCT SPEC APPLICATION SPEC WEIGHT		
1 PLC ± ±0.2	SIZE A4			
2 PLC ANGLES ±3°	CUSTOMER DRAWING			SCALE 3:1
3 PLC ANGLES ±	SCALE 3:1			SHEET 3 OF 7
4 PLC ANGLES ±	SCALE 3:1			REV B3



REVISIONS					
P	LTR	DESCRIPTION	DATE	DWN	APVD
-	-	SEE SHEET 1	-	-	-

本図-4を示す。
AS SHOWN-4

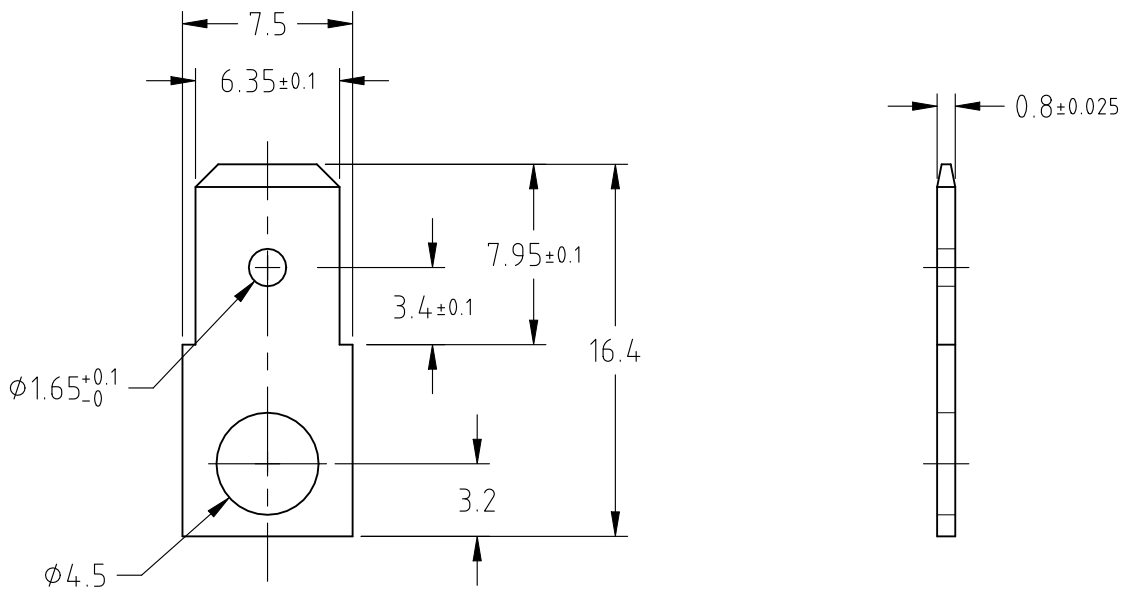
注記:

1. 本製品の旧管理型番は3170-0である。

NOTE:

1. THE FORMER P/N OF THIS PRODUCT:3170-0


 OBSOLETE PARTS: OBSOLETE CIS STREAMLINING PER D.RENAUD/D.SINISI



 OBSOLETE	BRASS WITH TIN PLATING	1565047-4
	MATERIAL AND FINISH	PART NUMBER

TE Connectivity. All Rights Reserved.



DIMENSIONS: mm TOLERANCES UNLESS OTHERWISE SPECIFIED: 0 PLC ± ±0.2 1 PLC ± ±0.2 2 PLC ANGLES ±3° 3 PLC ANGLES ±3° 4 PLC ANGLES ± ±	DWN Y,YAMADA 26NOV01	MATERIAL SEE TABLE	FINISH SEE TABLE
	CHK M.SHINDO 26NOV01	 TE Connectivity Ltd.	
APVD M.SHINDO 26NOV01	NAME 250 シリーズ タブ (TYPE K) 250 SERIES TAB (TYPE K)		
PRODUCT SPEC	SIZE A4	CAGE CODE 00779	DRAWING NO 1565047
APPLICATION SPEC	RESTRICTED TO -		
WEIGHT	CUSTOMER DRAWING		SCALE 3:1
		SHEET 4 OF 7	REV B3

REVISIONS					
P	LTR	DESCRIPTION	DATE	DWN	APVD
-	-	SEE SHEET 1	-	-	-

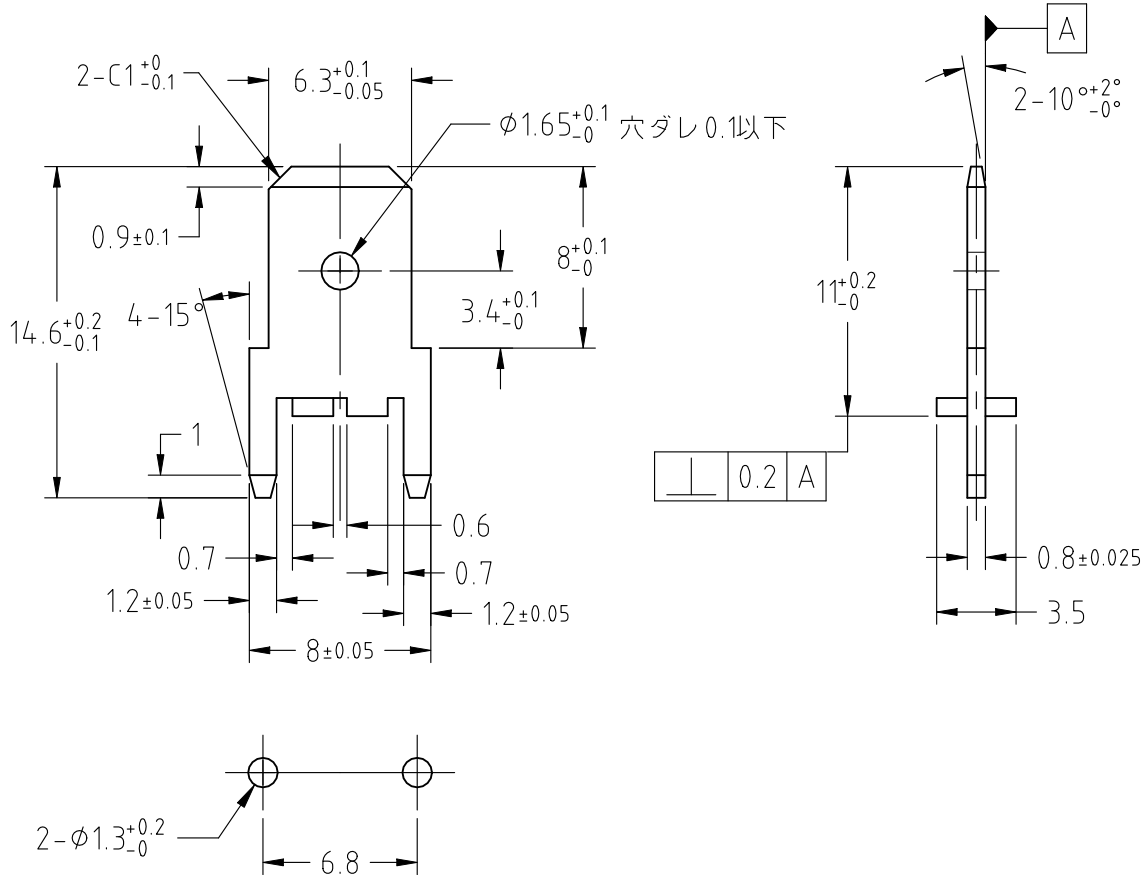
本図-5を示す。
AS SHOWN-5

注記:

1. 本製品の旧管理型番は3191-0である。

NOTE:

1. THE FORMER P/N OF THIS PRODUCT:3191-0



OBSOLETE

BRASS WITH TIN PLATING	1565047-5
MATERIAL AND FINISH	PART NUMBER

TE Connectivity. All Rights Reserved.

©

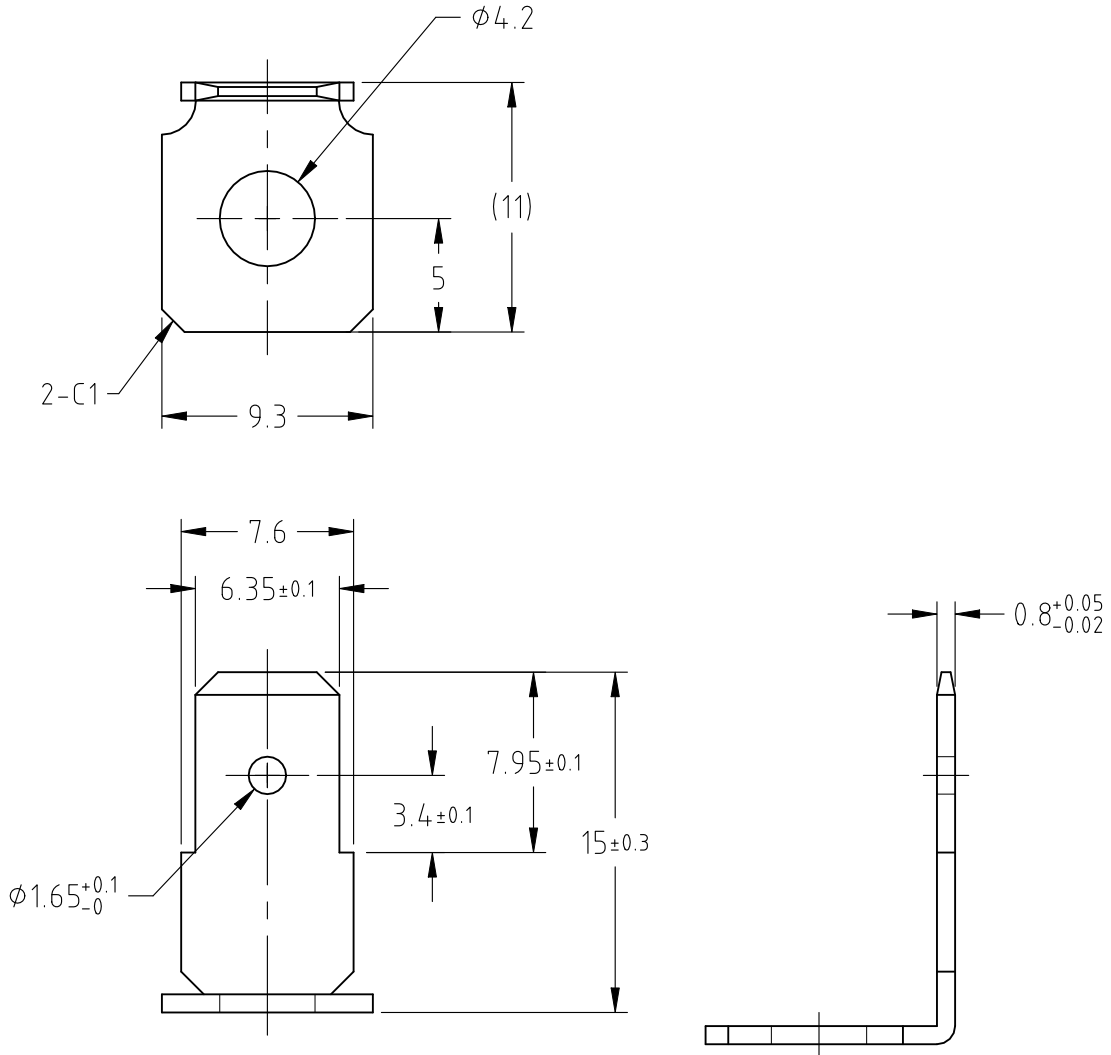
DIMENSIONS: mm	DWN Y,YAMADA	26NOV01	MATERIAL SEE TABLE	FINISH SEE TABLE		
	CHK M.SHINDO	26NOV01	TE Connectivity Ltd.			
TOLERANCES UNLESS OTHERWISE SPECIFIED:	APVD M.SHINDO	26NOV01			NAME 250 シリーズ タブ (TYPE K) 250 SERIES TAB (TYPE K)	
0 PLC ± ±0.2	PRODUCT SPEC APPLICATION SPEC		SIZE A4	CAGE CODE 00779	DRAWING NO C-1565047	RESTRICTED TO -
1 PLC ± ±0.2			WEIGHT	SCALE 3:1	SHEET 5 OF 7	REV B3
2 PLC ANGLES ±3°	CUSTOMER DRAWING					
3 PLC ANGLES ±						
4 PLC ANGLES ±						

REVISIONS					
P	LTR	DESCRIPTION	DATE	DWN	APVD
-	-	SEE SHEET 1	-	-	-

注記：
1. 本製品の旧管理型番は4721-4である。



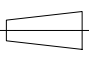
本図-6を示す。
AS SHOWN-6

NOTE:
1. THE FORMER P/N OF THIS PRODUCT:4721-4



TE Connectivity. All Rights Reserved.

BRASS WITH TIN PLATING	1565047-6
MATERIAL AND FINISH	PART NUMBER

DIMENSIONS: mm	DWN Y,YAMADA	26NOV01	MATERIAL SEE TABLE	FINISH SEE TABLE
	CHK M.SHINDO	26NOV01	 TE Connectivity Ltd.	
TOLERANCES UNLESS OTHERWISE SPECIFIED:	APVD M.SHINDO	26NOV01		
	0 PLC ± ±0.2 1 PLC ± ±0.2 2 PLC ANGLES ±3° 3 PLC ANGLES ±3° 4 PLC ANGLES ± ±	PRODUCT SPEC APPLICATION SPEC		SIZE A4
 	WEIGHT		DRAWING NO C-1565047	RESTRICTED TO -
	CUSTOMER DRAWING		SCALE 3:1	SHEET 6 OF 7

REVISIONS					
P	LTR	DESCRIPTION	DATE	DWN	APVD
-	-	SEE SHEET 1	-	-	-

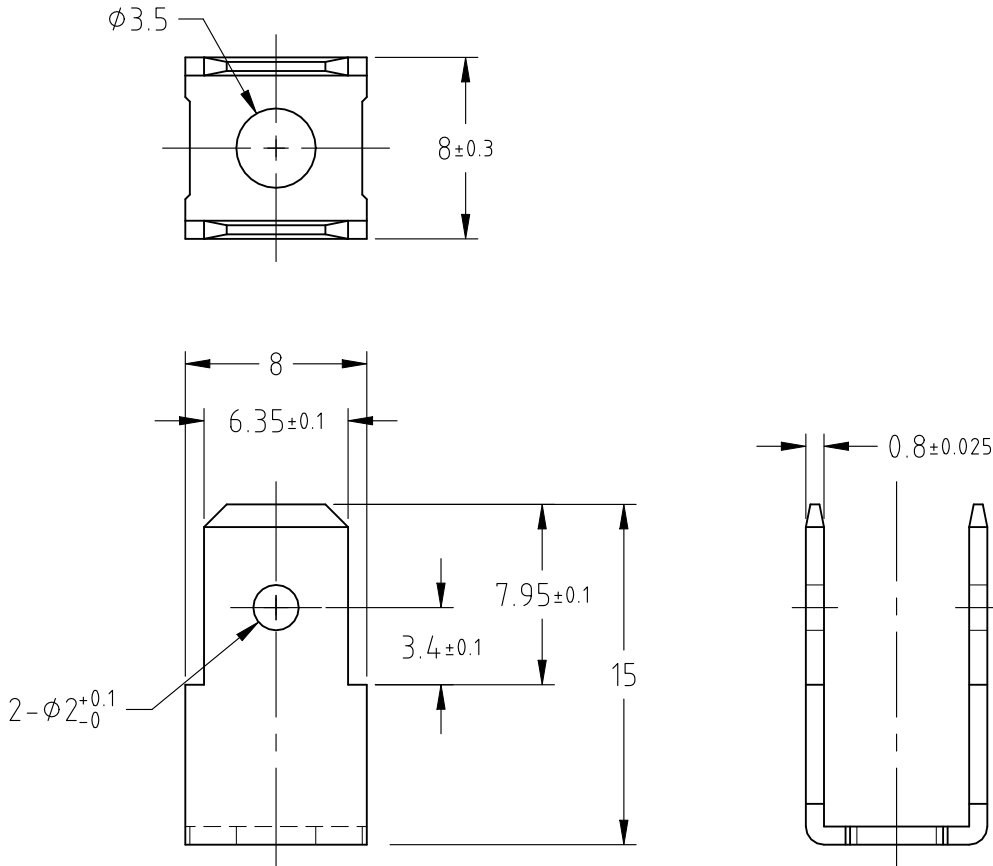
本図-7を示す。
AS SHOWN-7

注記:

1. 本製品の旧管理型番は4995-0である。

NOTE:

1. THE FORMER P/N OF THIS PRODUCT:4995-0




TE Connectivity. All Rights Reserved.

1

©

BRASS WITH TIN PLATING	1565047-7
MATERIAL AND FINISH	PART NUMBER

DIMENSIONS: mm	DWN Y.YAMADA	26NOV01	MATERIAL SEE TABLE	FINISH SEE TABLE
	CHK M.SHINDO	26NOV01	 TE Connectivity Ltd.	
TOLERANCES UNLESS OTHERWISE SPECIFIED:	APVD M.SHINDO	26NOV01		
	0 PLC ± ±0.2	PRODUCT SPEC APPLICATION SPEC WEIGHT		SIZE A4
1 PLC ± ±0.2	CAGE CODE 00779			DRAWING NO C-1565047
2 PLC ANGLES ±3°	CUSTOMER DRAWING		SCALE 3:1	SHEET 7 OF 7
3 PLC ANGLES ±				REV B3
4 PLC ANGLES ±				

