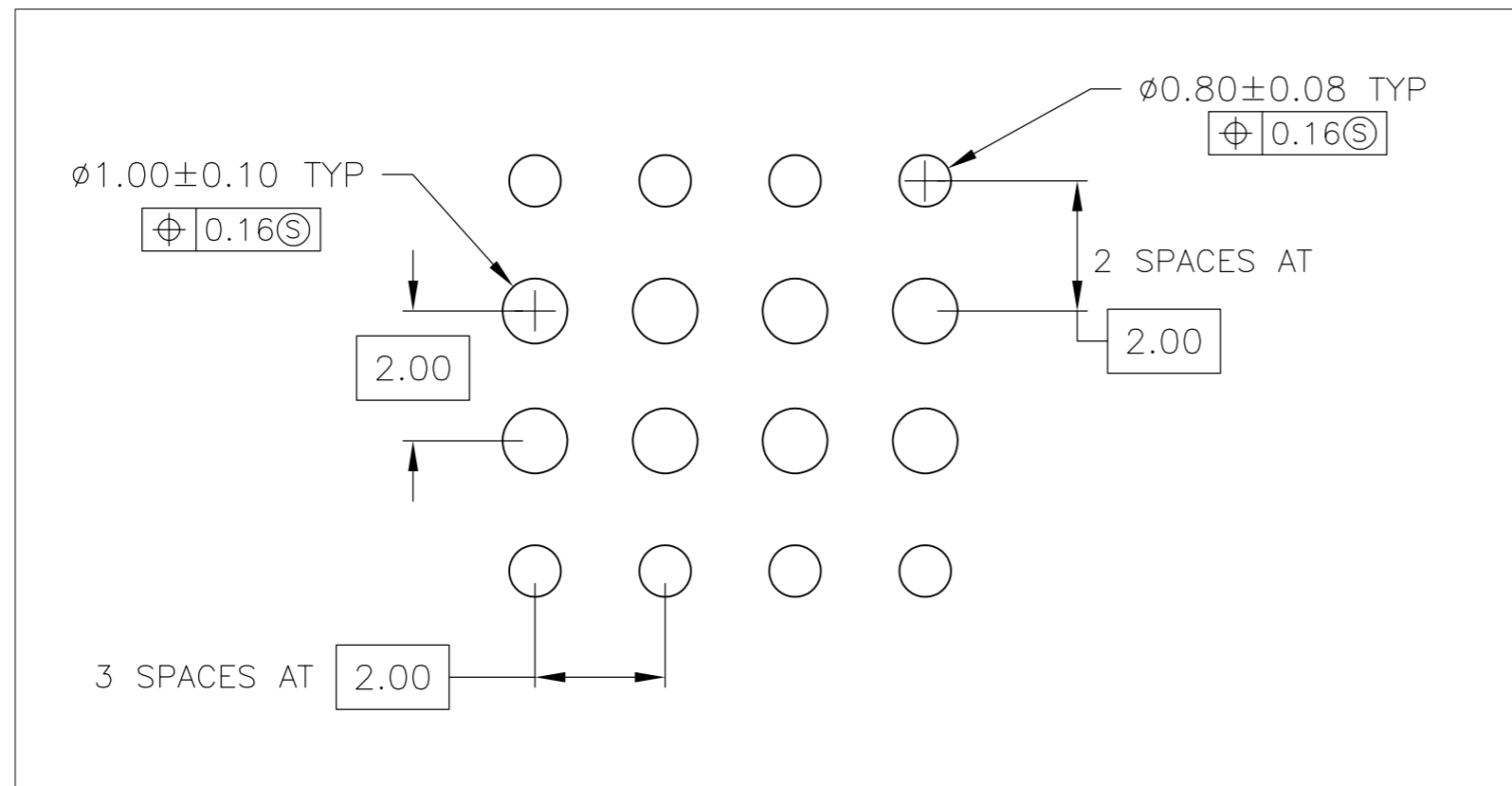
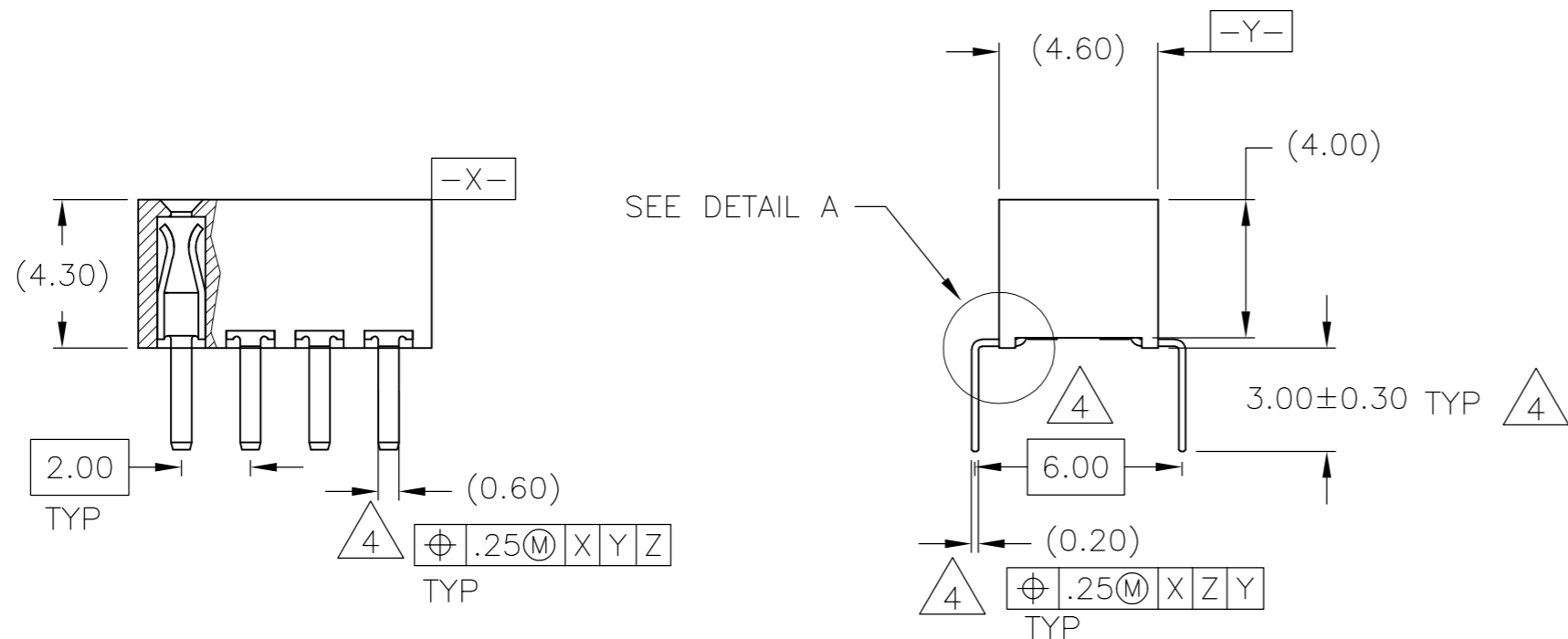
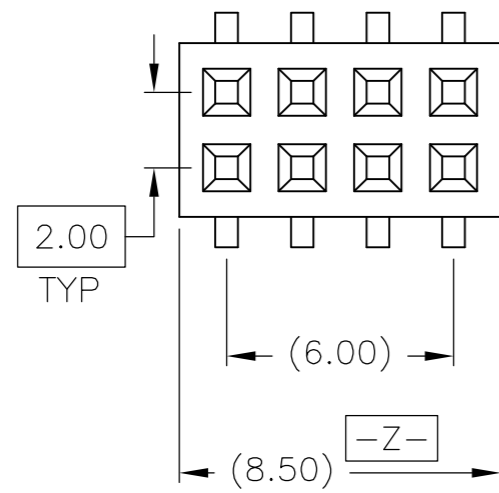


THIS DRAWING IS UNPUBLISHED. RELEASED FOR PUBLICATION
 © COPYRIGHT BY TYCO ELECTRONICS CORPORATION. ALL INTERNATIONAL RIGHTS RESERVED.

| LOC | | DIST | | REVISIONS | | | |
|-----|-----|---------------------------|--|-----------|-----|------|--|
| P | LTR | DESCRIPTION | | DATE | DWN | APVD | |
| | G2 | REVISED PER ECO-10-025266 | | 18MAR11 | HMR | JO | |



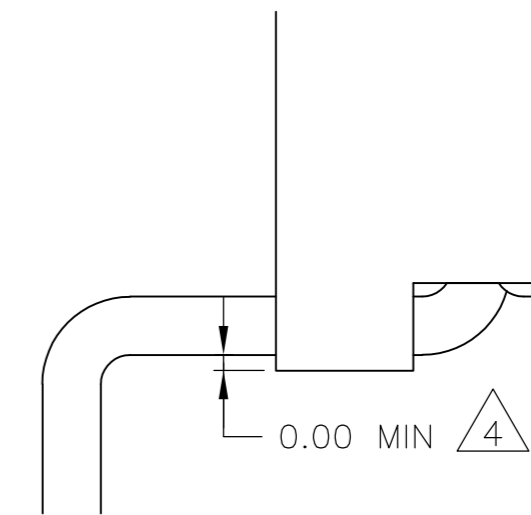
RECOMMENDED PC BOARD HOLE LAYOUT

TOLERANCES NOT TO ACCUMULATE WITHIN ONE CONNECTOR PATTERN.

1 SPECIFICATIONS-

CONTACT MATERIAL: PHOSPHOR BRONZE
 INSULATOR MATERIAL: HIGH TEMPERATURE THERMOPLASTIC, UL 94V-0: BLACK COLOR
 PACKAGING: SINGLE TUBES:

- △2 CONTACT FINISH: DUPLEX PLATED-.000762 GOLD ON CONTACT AREA, .00381 TIN-LEAD ON SOLDER LEADS, .00127 NICKEL UNDERPLATING.
- △3 CONTACT FINISH: DUPLEX PLATED-.000762 GOLD ON CONTACT AREA, .00381 TIN ON SOLDER LEADS .00127 NICKEL UNDERPLATING.
- △4 CRITICAL TO QUALITY.



DETAIL A

| | | | |
|---------------------------|--------|------------|-------------|
| SUPERSEDED BY 5-1571362-1 | △3 | 8 | 5-1571362-1 |
| | △2 | 8 | 1571362-1 |
| | FINISH | NO OF POSN | PART NUMBER |

| | | | | |
|--|--|----------------------------|---|----------------------|
| THIS DRAWING IS A CONTROLLED DOCUMENT. | | DWN R BROWN 28AUG02 | Tyco Electronics Corporation Harrisburg, PA 17105-3608 | |
| DIMENSIONS: mm | | CHK D SIMPSON 28AUG02 | NAME RECEPTACLE ASSEMBLY, 2mm DOUBLE ROW, DUAL ENTRY, THROUGH HOLE, VERTICAL, OUTRIGGER | |
| TOLERANCES UNLESS OTHERWISE SPECIFIED: | | APVD D SIMPSON 28AUG02 | PRODUCT SPEC 108-2273 | |
| 0 PLC ± - | | APPLICATION SPEC 114-13177 | | SIZE A2 |
| 1 PLC ± - | | WEIGHT - | | CAGE CODE 00779 |
| 2 PLC ± 0.20 | | CUSTOMER DRAWING | | DRAWING NO C=1571362 |
| 3 PLC ± - | | SCALE NTS | | SHEET 1 OF 1 |
| 4 PLC ± - | | REV G2 | | RESTRICTED TO - |
| ANGLES ± - | | | | |
| FINISH - | | | | |