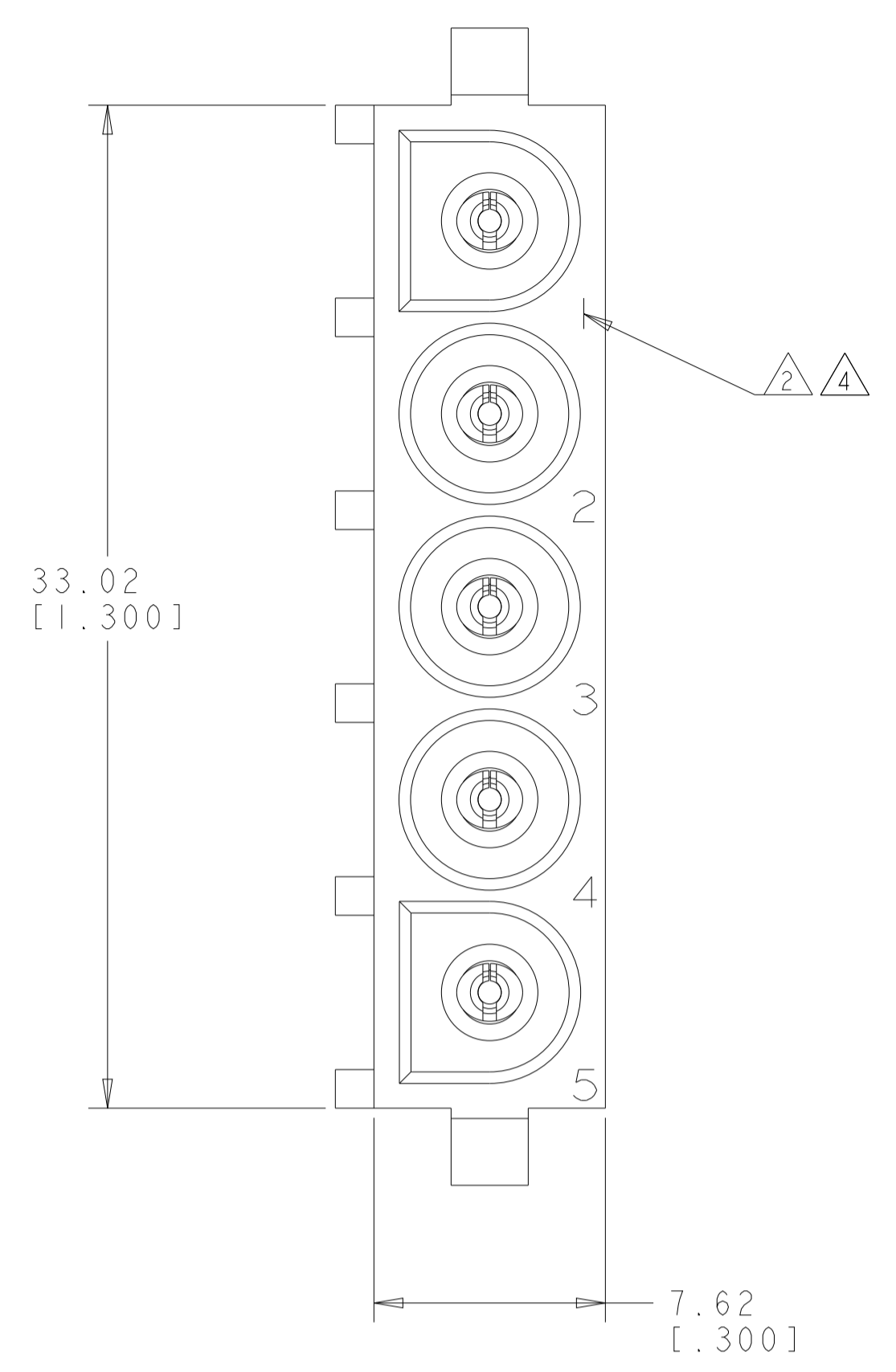
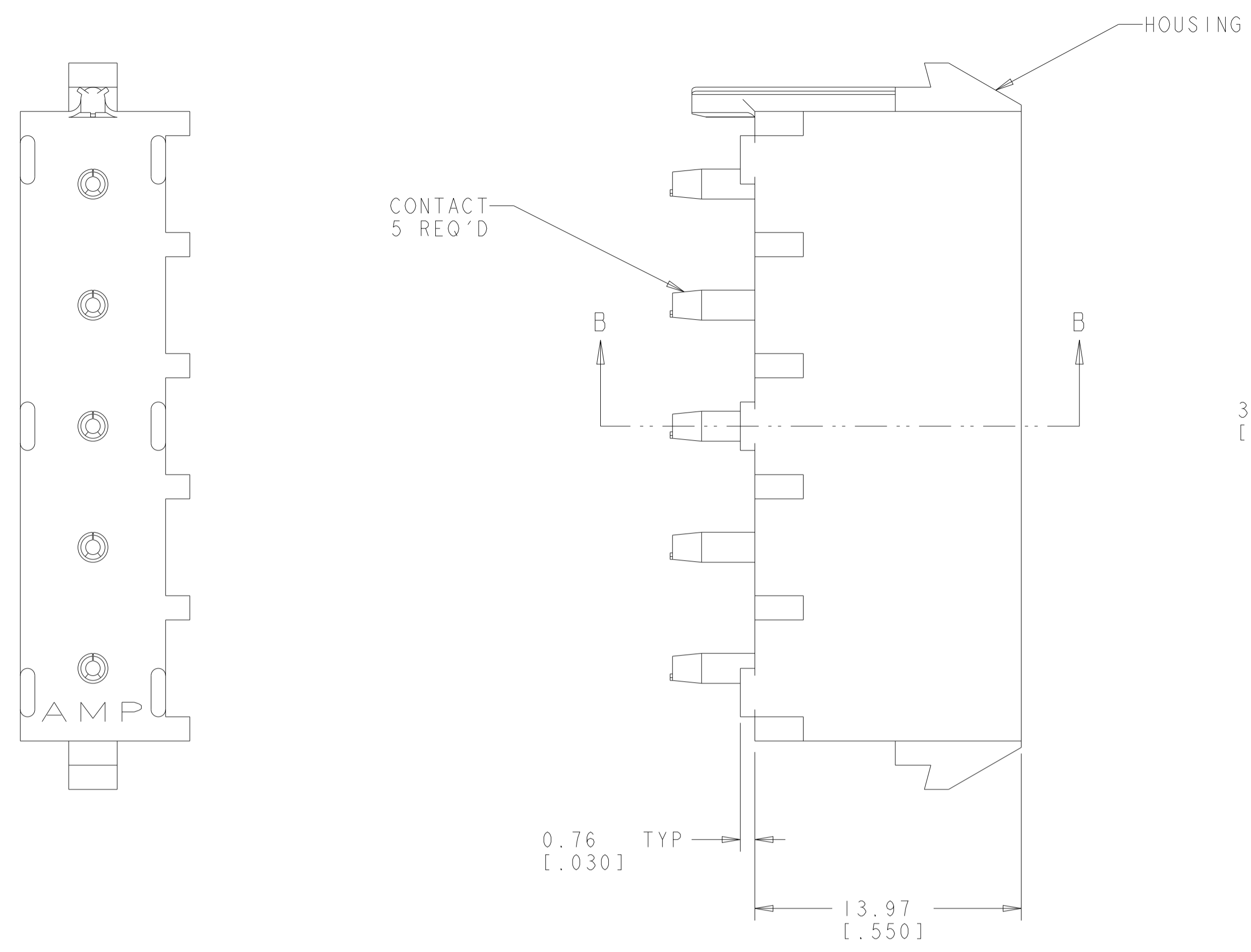
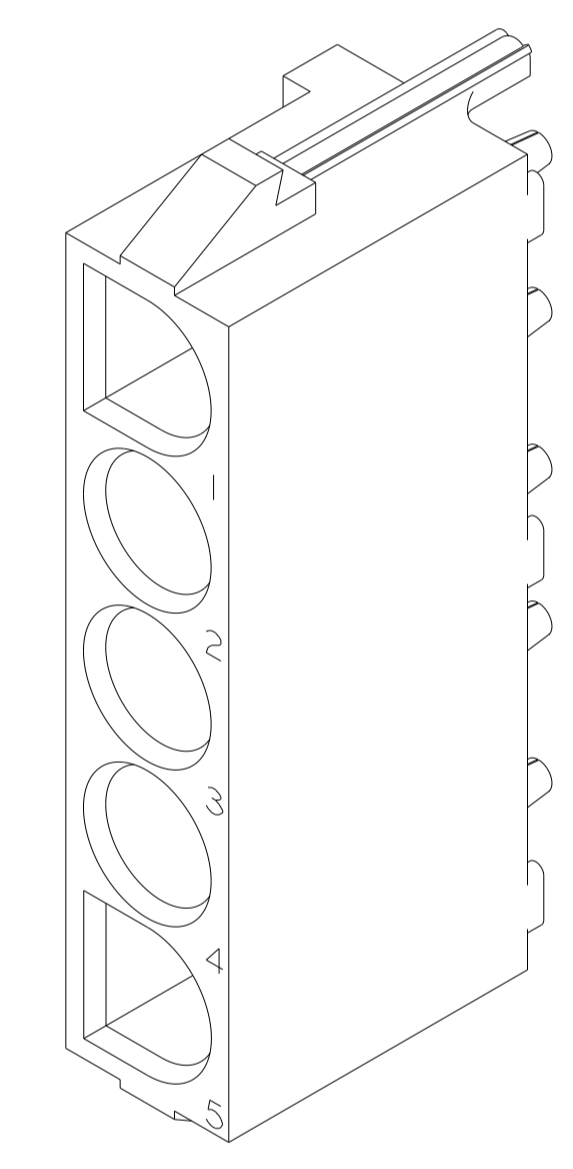


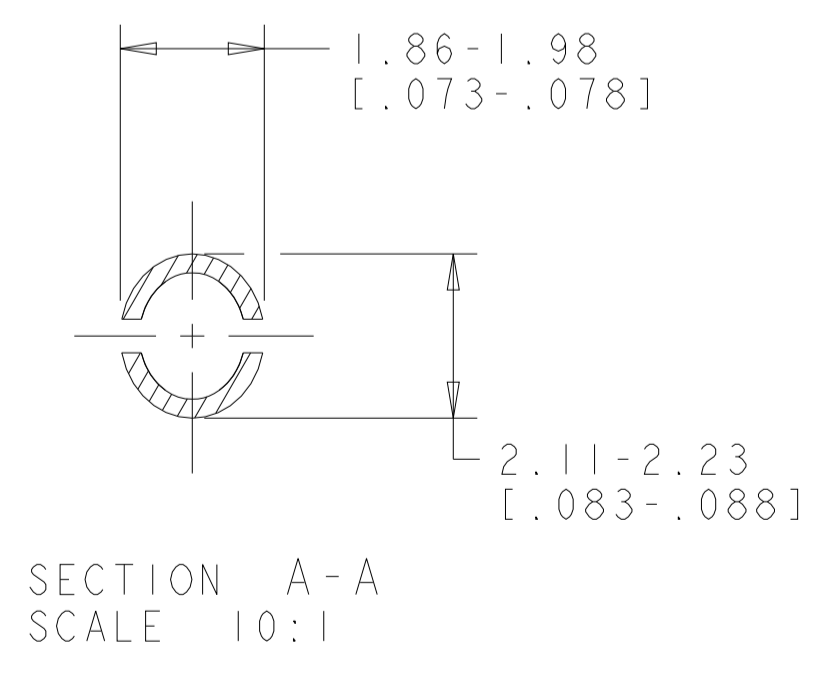
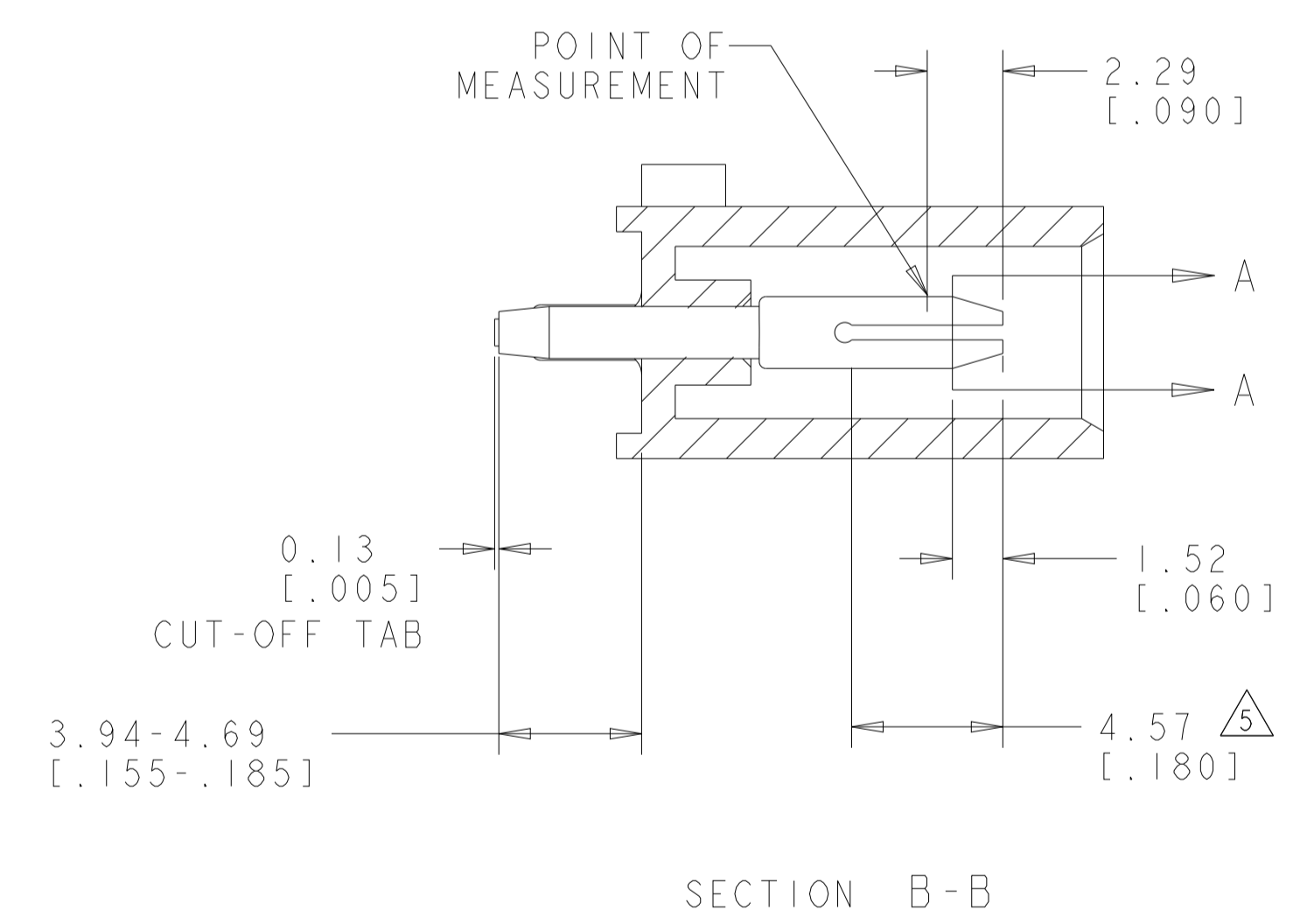
LOC	DIST	REVISIONS					
		P	LTN	DESCRIPTION	DATE	DWN	APVD
CM	00	0		REVISED PER 0638-0087-04	05MAY04	KW	SR
		01		REVISED PER ECO-05-001793	31MAY05	KW	SR
		02		REVISED PER ECO-09-025699	11DEC09	KK	AEQ
		A		REVISED PER ECR-21-118133	22OCT2021	SS	VS



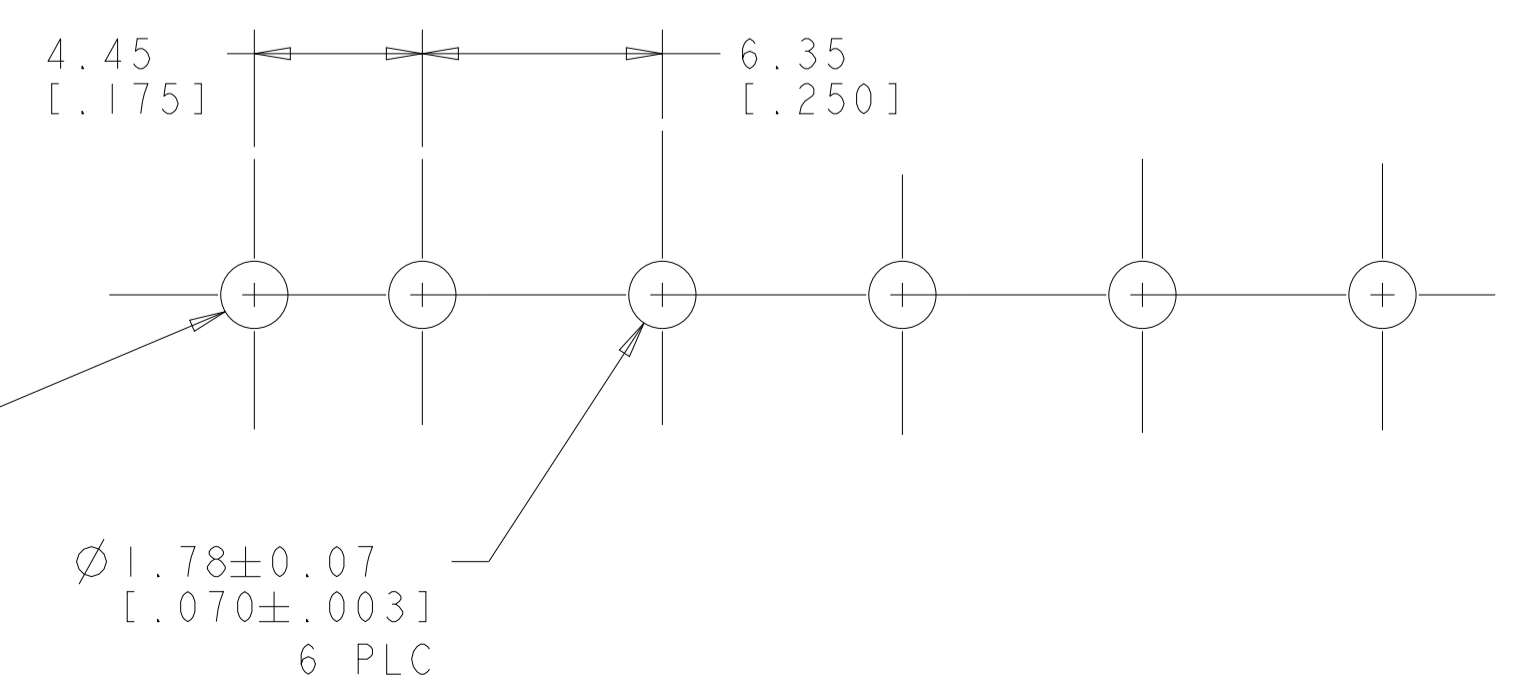
1. PARTS COMPLY TO AMP SOLDERABILITY SPECIFICATION 109-11-3.
2. CIRCUIT IDENTIFICATION CHARACTERS ARE ADJACENT TO THE INDICATED CAVITIES, BUT LOCATION AND ORIENTATION MAY DIFFER FROM PRINT.
3. DIMENSIONS IN BRACKETS ARE IN INCHES.
4. IDENTIFICATION WILL APPEAR AT CIRCUIT NO. 1, OTHERS OPTIONAL.
5. CONTACT IS PLATED OVERALL WITH 0.00127 [.00050] NICKEL, THEN 0.000075 [.000030] GOLD OVER CONTACT LENGTH INDICATED AND MATTE TIN ON SOLDER TAIL END.
6. OBSOLETE PARTS: OBSOLETE CIS STREAMLINING PER D.RENAUD/D.SINISI
7. DIMENSIONS SHOWN REPRESENT PRODUCT IN DRY CONDITION. ADDITIONAL 2% GROWTH DUE TO END USE LOCATION MOISTURE ABSORPTION MAY OCCUR AND SHOULD BE ACCOUNTED FOR.



SCALE 4:1

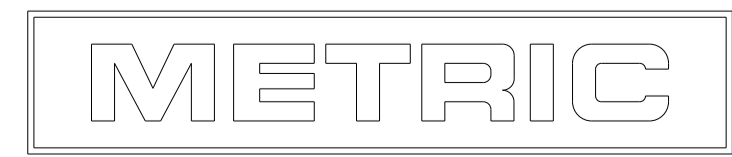


SECTION A-A
SCALE 10:1



RECOMMENDED MOUNTING HOLE PATTERN FOR 1.57 [.062] THICK P.C. BOARD

OBSOLETE	PHOSPOR BRONZE, GOLD	NYLON, UL94V-2, NATURAL	1586139-2
	PHOSPOR BRONZE, PRE-TIN	NYLON, UL94V-2, NATURAL	1586139-1
	PIN CONTACT MATERIAL AND FINISH	HOUSING MATERIAL AND COLOR	PART NUMBER



DIMENSIONS: mm [INCHES] TOLERANCES UNLESS OTHERWISE SPECIFIED: 0 PLC ± .01 1 PLC ± .01 2 PLC ± .01 3 PLC ± .01 4 PLC ± .01 ANGLES 40° 30'		DWN K. WHITAKER 05MAY04 CHK S. RIDGILL 05MAY04 APVD S. RIDGILL 05MAY04 PRODUCT SPEC APPLICATION SPEC WEIGHT CUSTOMER DRAWING		Tyco Electronics Corporation Harrisburg, PA 17105-3608 NAME PIN HEADER ASSEMBLY, POLARIZED, 5 CIRCUIT, NO DRAIN HOLES, UNIVERSAL MATE-N-LOK™ SIZE A1 CAGE CODE 00779 DRAWING NO. 1586139 SHEET 1 OF 1 REV A	
----------------------------------------------------------------------------------------------------------------------------------------------------------------	--	------------------------------------------------------------------------------------------------------------------------------------------------	--	----------------------------------------------------------------------------------------------------------------------------------------------------------------------------------------------------------------------------------	--