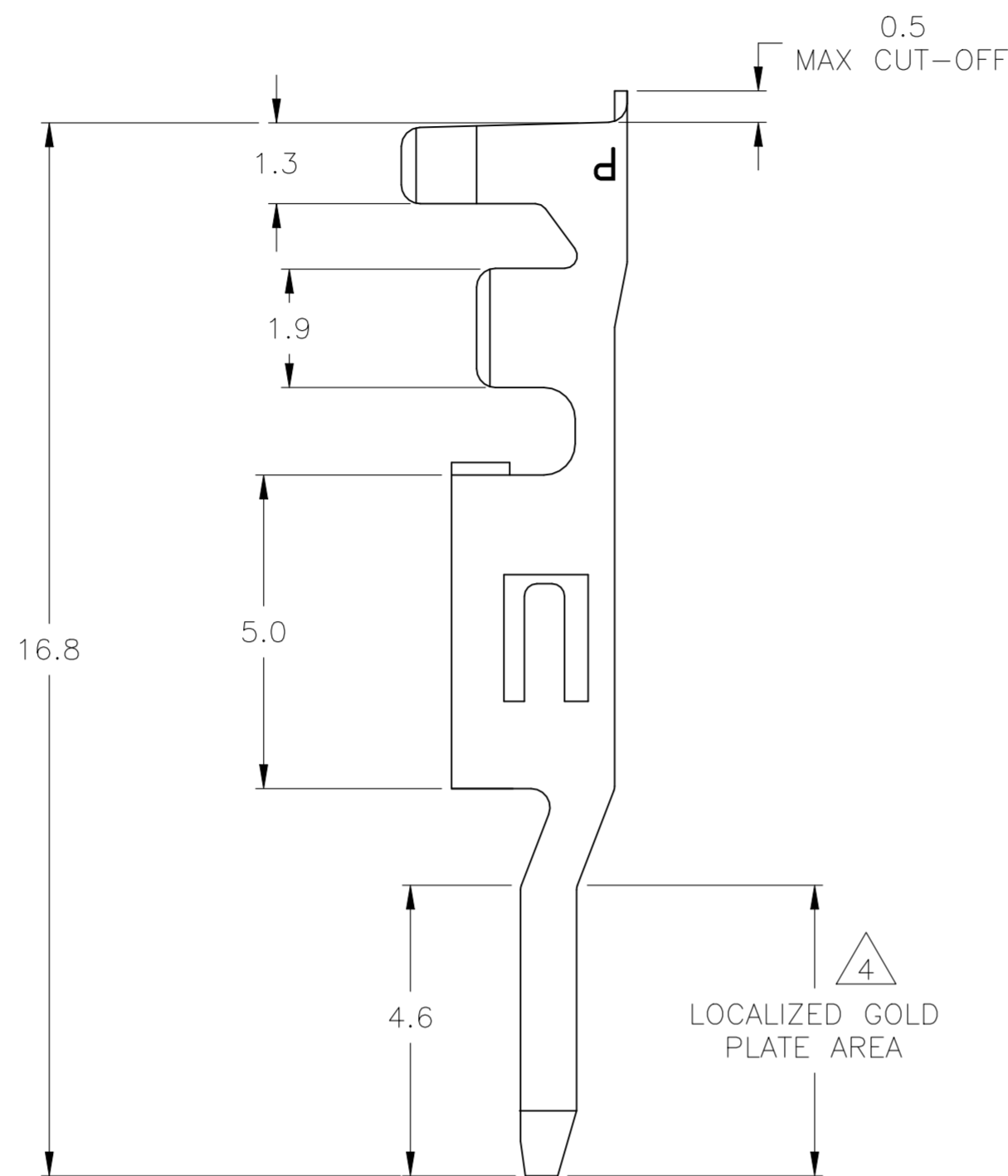
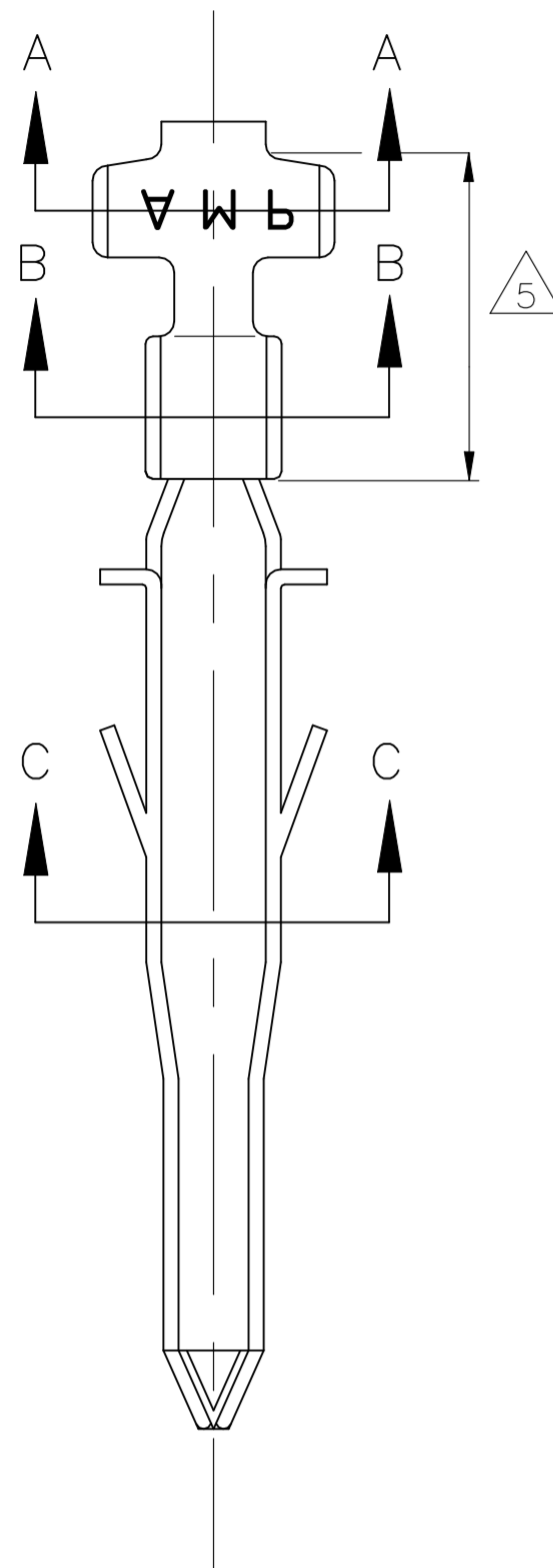
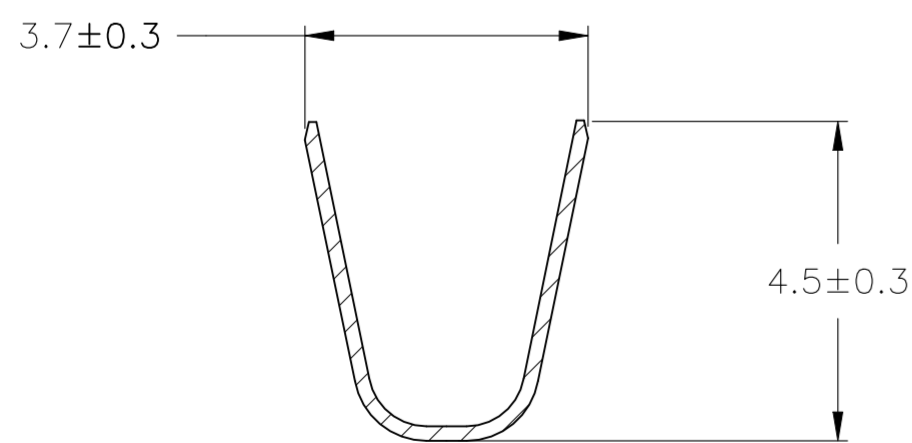


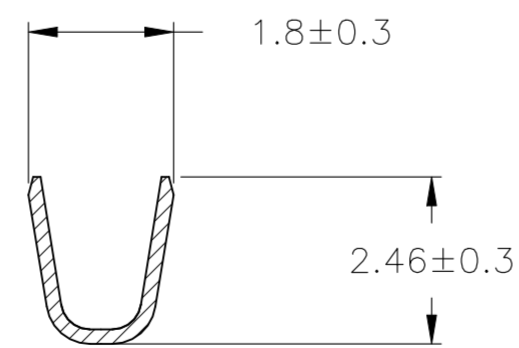
REVISIONS					
P	LTR	DESCRIPTION	DATE	DWN	APVD
C2		REVISED PER ECR-23-173068	06DEC2023	P.C	D.Z



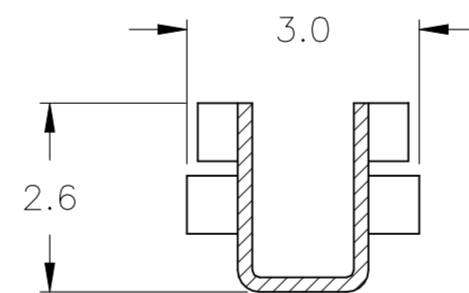
- 1 WIRE RANGE: 0.2–0.8mm² (24–18 AWG).
- 2 INSULATION RANGE: 1.50–2.40 DIA.
- 3 FINISH: 1.27µm MIN NICKEL ALL OVER
- 4 FINISH: 0.76µm MIN GOLD ON INNER SURFACE, PERMITTED ON OUTER SURFACE.
- 5 FINISH: 2.54µm MIN TIN ON ALL SURFACES IN THIS AREA.
- 6 FINISH: 2.54µm MINIMUM PRE-TIN OVERALL



SECTION A-A



SECTION B-B



SECTION C-C

3 4 5	PHOS. BRZ.	1586314-4
PRE-TIN 6	PHOS. BRZ.	1586314-3
3 4 5	BRASS	1586314-2
PRE-TIN 6	BRASS	1586314-1
FINISH:	MATERIAL:	PART NO.

THIS DRAWING IS A CONTROLLED DOCUMENT.		DWN S. HOOVER 14-OCT-2003			
DIMENSIONS: mm [INCHES]		CHK D. COLEY 14-OCT-2003			
TOLERANCES UNLESS OTHERWISE SPECIFIED:		APVD D. COLEY 14-OCT-2003	NAME		
0 PLC ±		PRODUCT SPEC	TERMINAL LOOSE PIECE, PIN VAL-U-LOK(TM)		
1 PLC ± 0.3		APPLICATION SPEC	SIZE	CAGE CODE	DRAWING NO
2 PLC ± -		108-2112	A2	00779	C=1586314
3 PLC ± -		114-13172	SCALE	SHEET	REV
4 PLC ±		WEIGHT	10:1	1 of 1	C2
ANGLES ±		MATERIAL	CUSTOMER DRAWING		
FINISH					