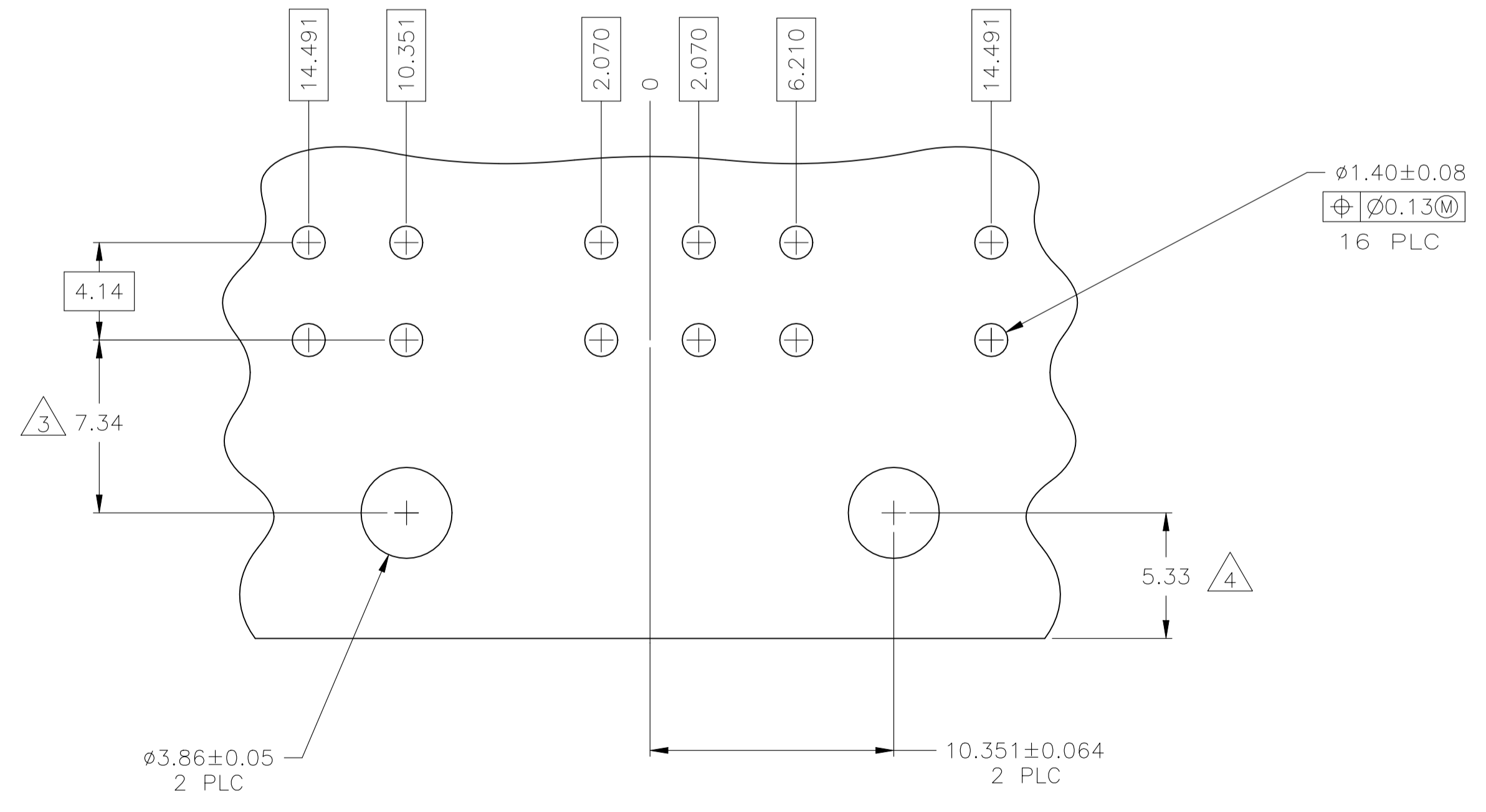
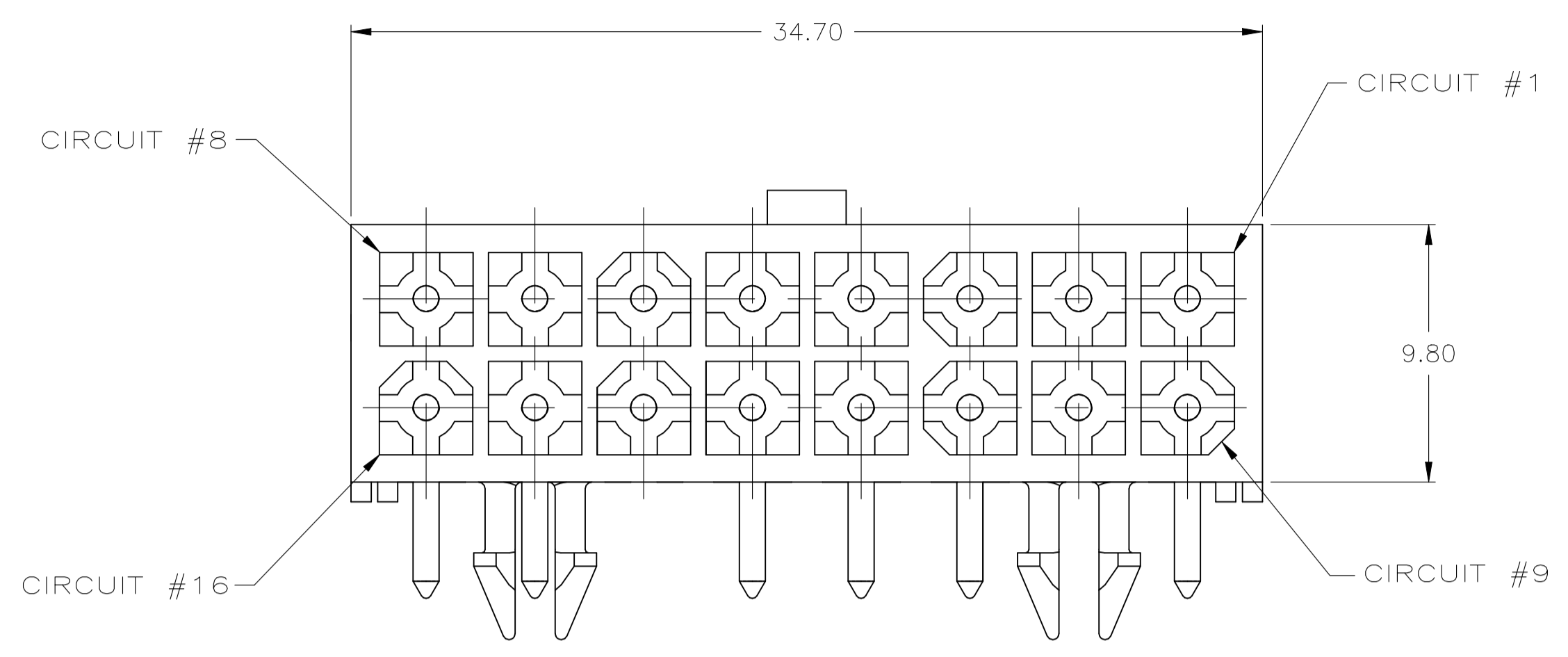
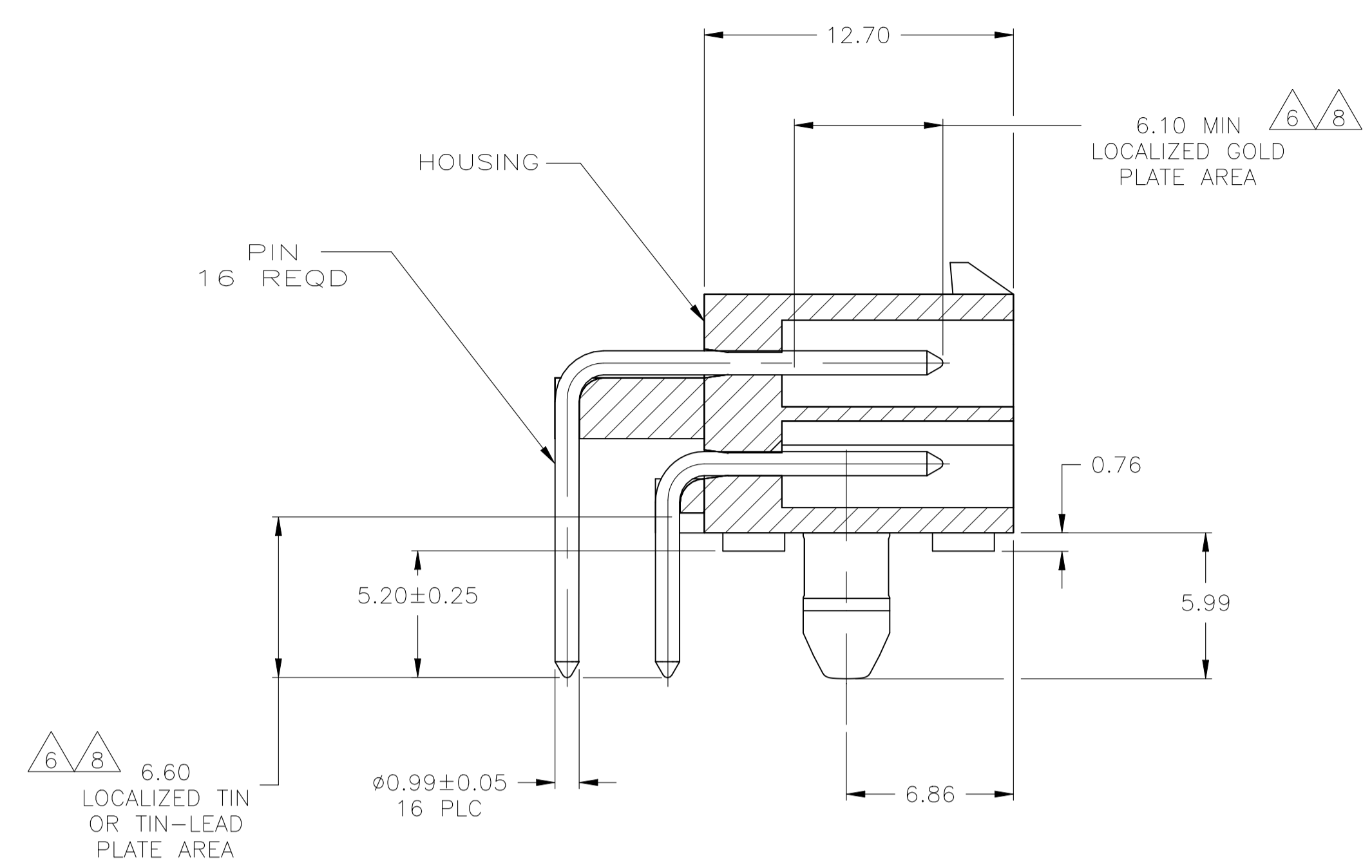


REVISIONS				
REV	DESCRIPTION	DATE	BY	APP'D
D	REVISED PER ECR-24-206856	08MAY2024	DK	JP

- 1 PINS TO COMPLY WITH AMP SOLDERABILITY SPEC 109-11-3.
- 2 MATES WITH PLUG P/N 770583-1.
- 3 COORDINATE DIMENSION APPLIES FROM CENTER OF ACTUAL FEATURE.
- 4 RECOMMENDED FOR EDGE MOUNTING.
- 5 0.00076 MIN GOLD PLATE IN THE LOCALIZED GOLD PLATE AREA, 0.00381 MIN MATTE TIN IN THE LOCALIZED TIN PLATE AREA, BOTH OVER 0.00127 MIN NICKEL.



RECOMMENDED MOUNTING HOLE PATTERN FOR 1.57 THICK P.C. BOARD

MM	IN	MM	IN
3.68	.145	34.70	1.366
2.070	.0815	14.491	.5705
1.57	.062	12.70	.500
1.40	.055	10.351	.4075
1.00	.039	9.80	.386
0.76	.030	7.34	.289
0.25	.010	6.86	.270
0.13	.005	6.210	.2445
0.08	.003	6.10	.240
0.064	.0025	5.99	.236
0.05	.002	5.33	.210
0.00381	0.000150	5.08	.200
0.00127	0.000050	4.14	.163
0.00076	0.000030	3.86	.152
MM	IN	MM	IN

CONVERSION TABLE

THIS DRAWING IS A CONTROLLED DOCUMENT.		DIN K. WHITAKER 11APR2007		NYLON, UL94V-0		WHITE		1586821-2	
DIMENSIONS: mm		TOLERANCES UNLESS OTHERWISE SPECIFIED:		MATERIAL FINISH		MATERIAL COLOR		PART NO.	
0 PLC ± -		1 PLC ± -		BRASS		NYLON, UL94V-0		1586821-2	
2 PLC ± -		3 PLC ± 0.13		PIN		WHITE		PART NO.	
4 PLC ± -		ANGLES ± ±		HOUSING		COLOR		PART NO.	
MATERIAL SEE TABLE		FINISH SEE TABLE		WEIGHT 0.000000		SIZE A1		DRAWING NO. 00779	
				CUSTOMER DRAWING		SCALE 5:1		SHEET 1 OF 1	