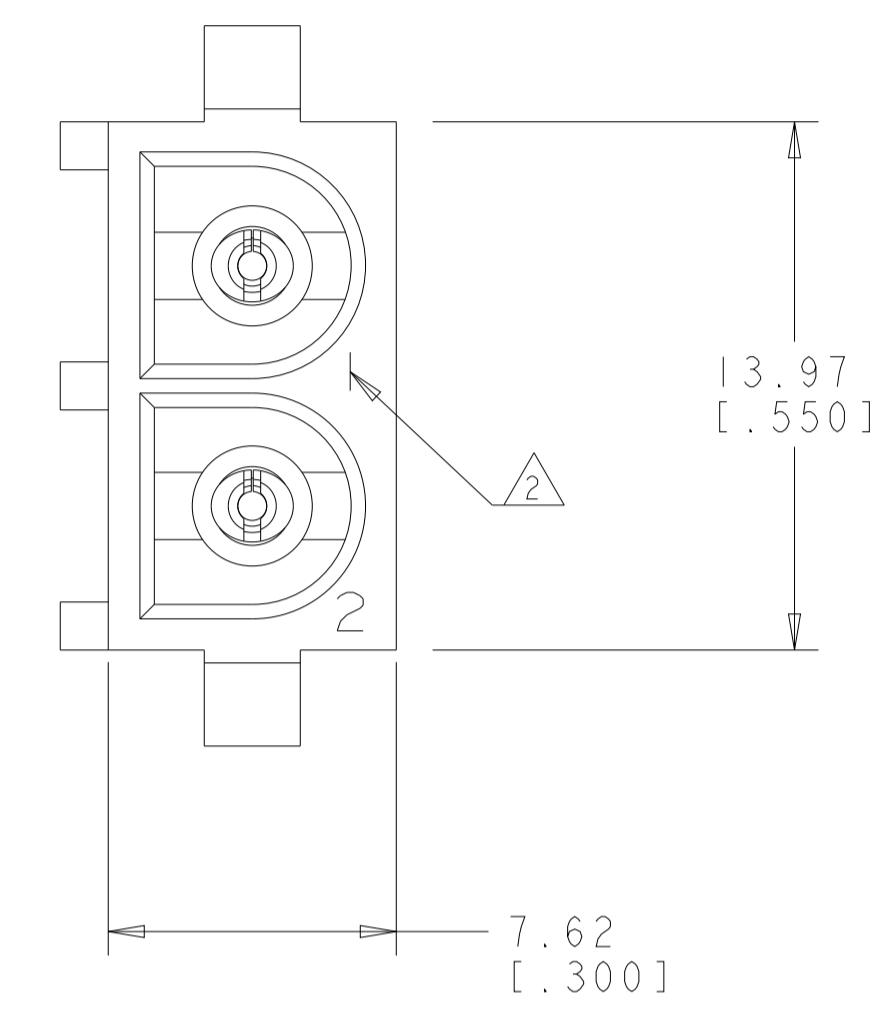
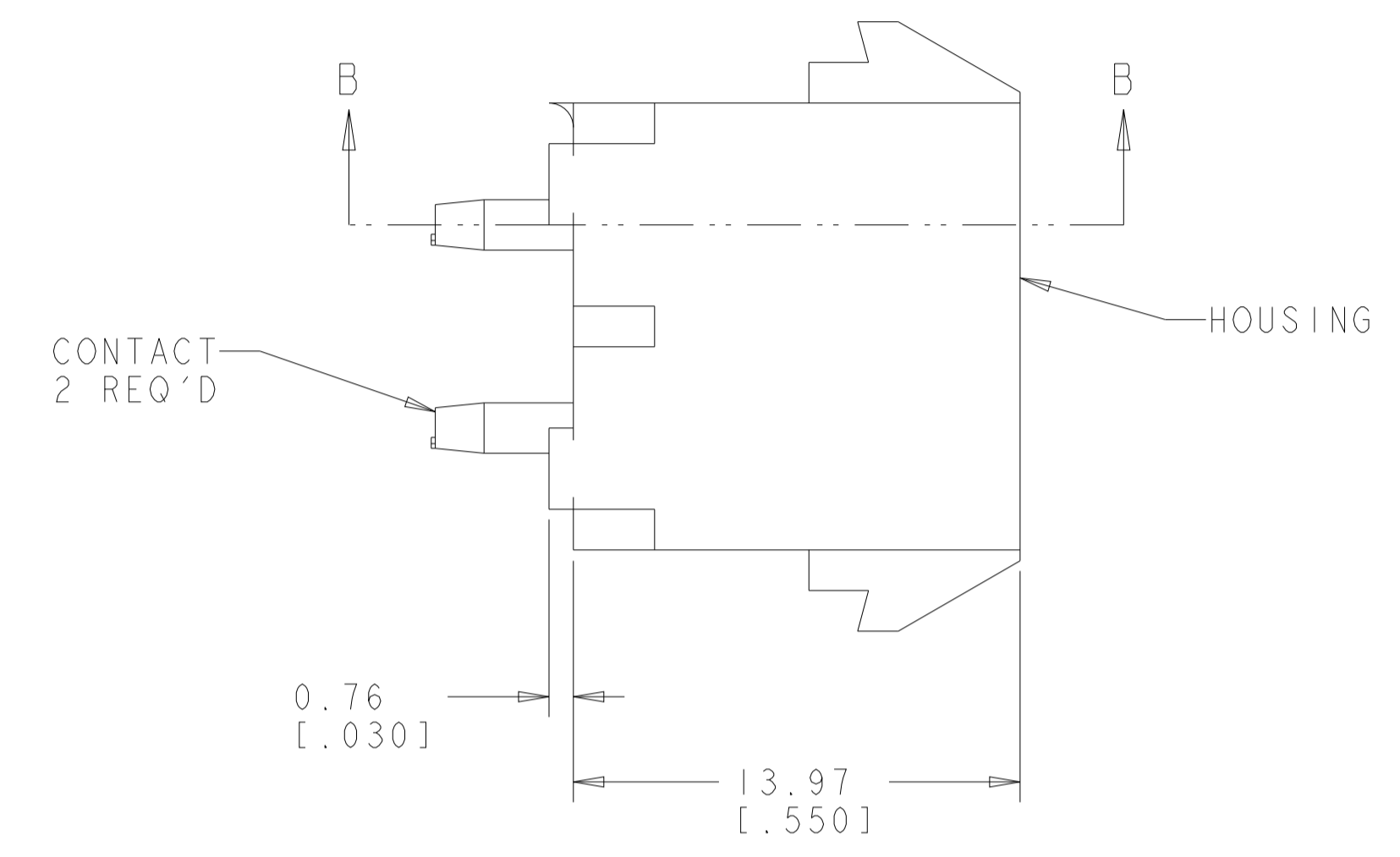
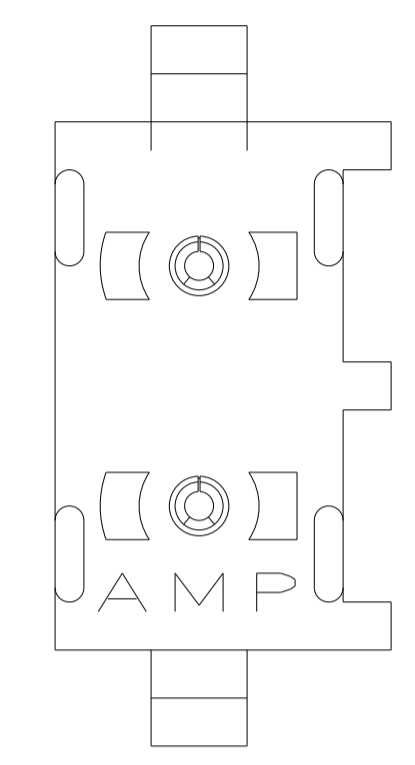
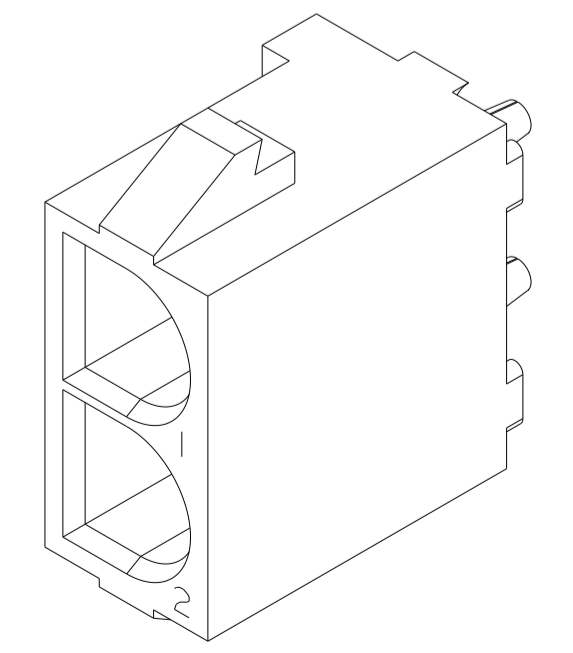
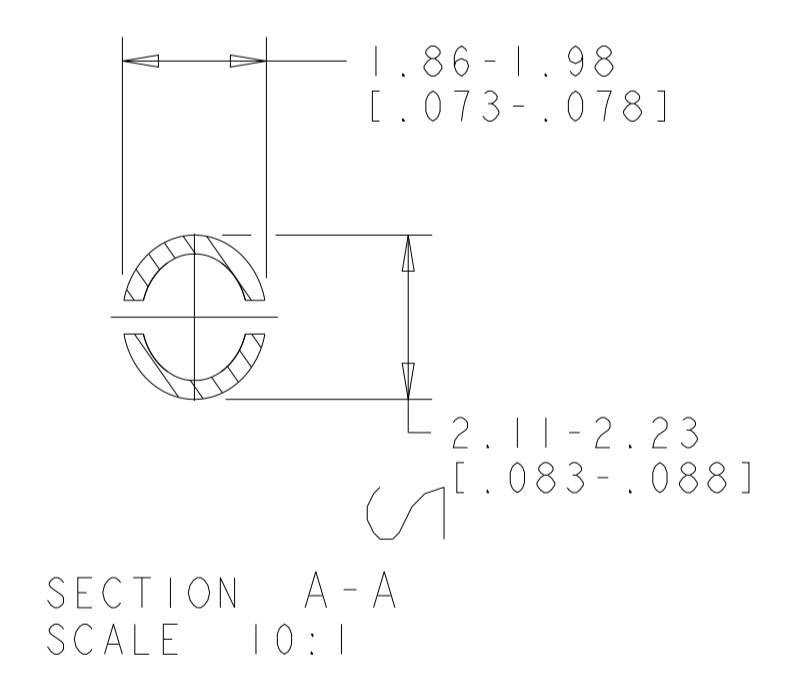
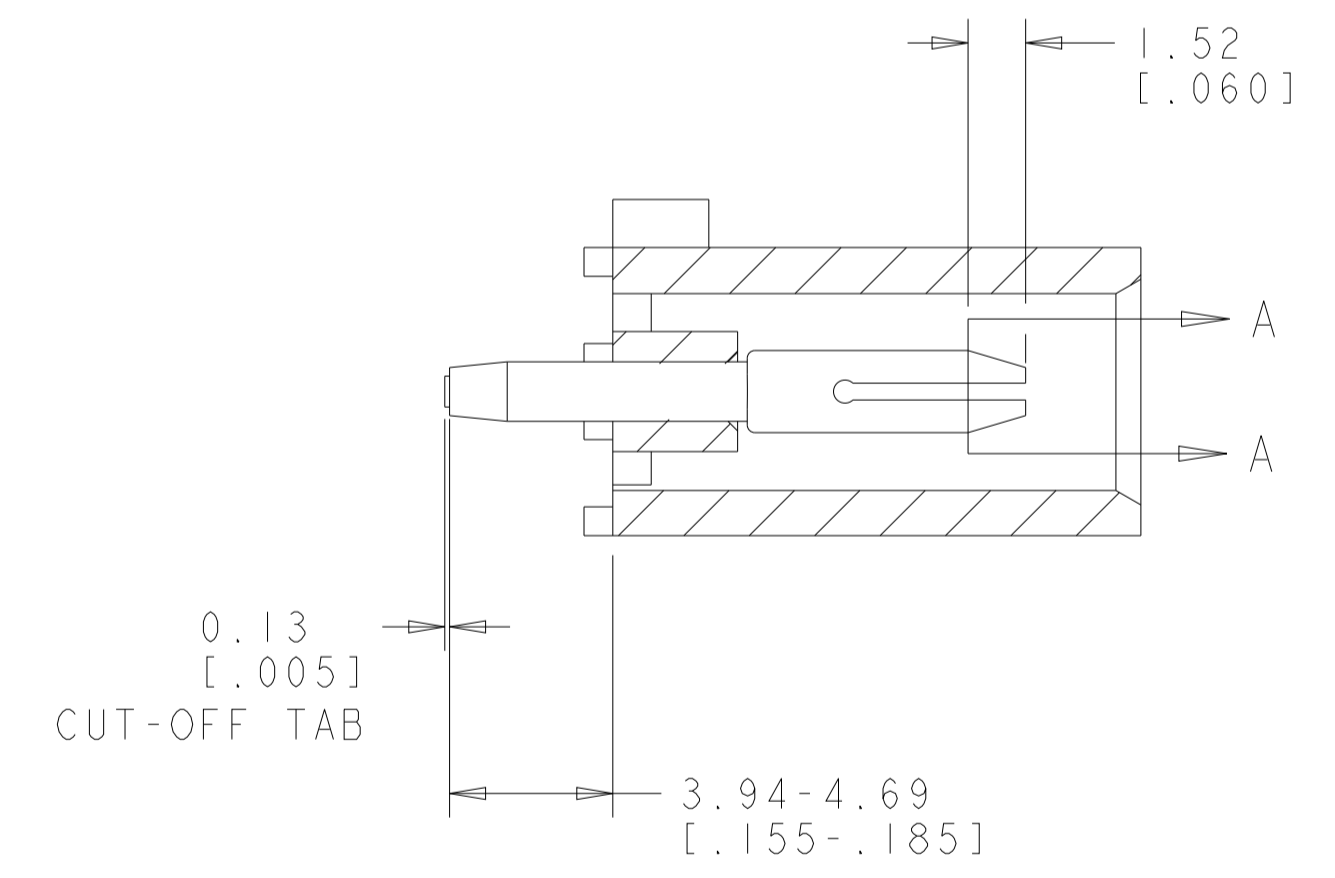


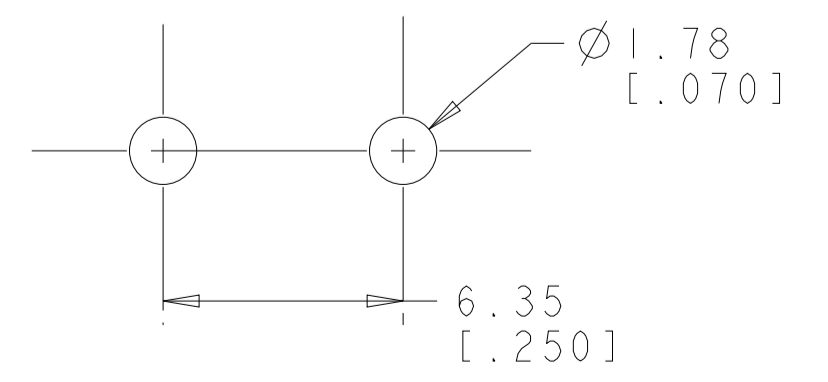
| LOC | DIST | REVISIONS | | | | | |
|-----|------|-----------|-----|---------------------------|-----------|-----|------|
| CM | 00 | P | LTN | DESCRIPTION | DATE | DWN | APVD |
| | | B1 | | REV PER ECO-17-007882 | 31MAY2017 | RS | KR |
| | | B2 | | REVISED PER ECR-21-119230 | 05NOV2021 | SS | VS |



- PARTS COMPLY TO AMP SOLDERABILITY SPECIFICATION 109-11-3.
- CIRCUIT IDENTIFICATION CHARACTERS ARE ADJACENT TO THE INDICATED CAVITIES, BUT LOCATION AND ORIENTATION MAY DIFFER FROM PRINT.
- DIMENSIONS IN BRACKETS ARE IN INCHES.
- FLAMMABILITY V-2 FOR THICKNESS 0.38mm, 0.75mm, 1.5mm AND 3.0mm PER IEC 60695-11-10.
- GLOW-WIRE FLAMMABILITY (GWFI) 930°C FOR THICKNESS 0.75mm PER IEC 60695-2-12.
- GLOW-WIRE FLAMMABILITY (GWFI) 960°C FOR THICKNESS 0.38mm, 1.5mm AND 3.0mm PER IEC 60695-2-12.
- GLOW-WIRE IGNITION (GWIT) 825°C FOR THICKNESS 1.5mm AND 3.0mm PER IEC 60695-2-13.
- GLOW-WIRE IGNITION (GWIT) 930°C FOR THICKNESS 0.38mm AND 0.75MM PER IEC-60695-2-13
- DIMENSIONS SHOWN REPRESENT PRODUCT IN DRY CONDITION. ADDITIONAL 2% GROWTH DUE TO END USE LOCATION MOISTURE ABSORPTION MAY OCCUR AND SHOULD BE ACCOUNTED FOR.



3 DIMENSIONAL VIEW
SCALE 4:1



RECOMMENDED MOUNTING HOLE PATTERN
FOR 1.57 [.062] THICK P.C. BOARD

| | | |
|---|---|---|
| PHOSPOR BRONZE, PRE-TIN PIN CONTACT MATERIAL AND FINISH | NYLON, UL94V-2, NATURAL HOUSING MATERIAL AND COLOR | 1586953-1 PART NUMBER |
| DIMENSIONS: mm [INCHES] TOLERANCES UNLESS OTHERWISE SPECIFIED: 0 PLC ±. 1 PLC ±. 2 PLC ±0.131(.005) 3 PLC ±. 4 PLC ±. ANGLES ±40°30' FINISH SEE TABLE | | DWN K. WHITAKER 25JUL2007 CHK D. COLEY 25JUL2007 APVD D. COLEY 25JUL2007 NAME PRODUCT SPEC APPLICATION SPEC WEIGHT CUSTOMER DRAWING |
| MATERIAL SEE TABLE FINISH SEE TABLE | | Tyco Electronics Harrisburg, PA 17105-3608 PIN HEADER ASSEMBLY, 2 CIRCUIT, UNIVERSAL MATE-N-LOK(TM) SIZE CAGE CODE DRAWING NO RESTRICTED TO A1 00779 ©=1586953 SCALE 5:1 SHEET 1 OF 1 REV B2 |

