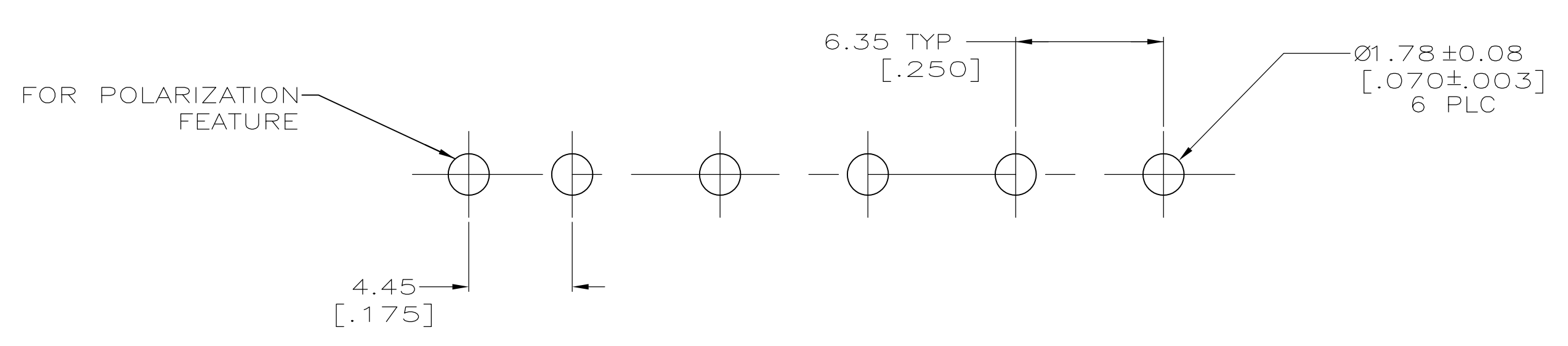
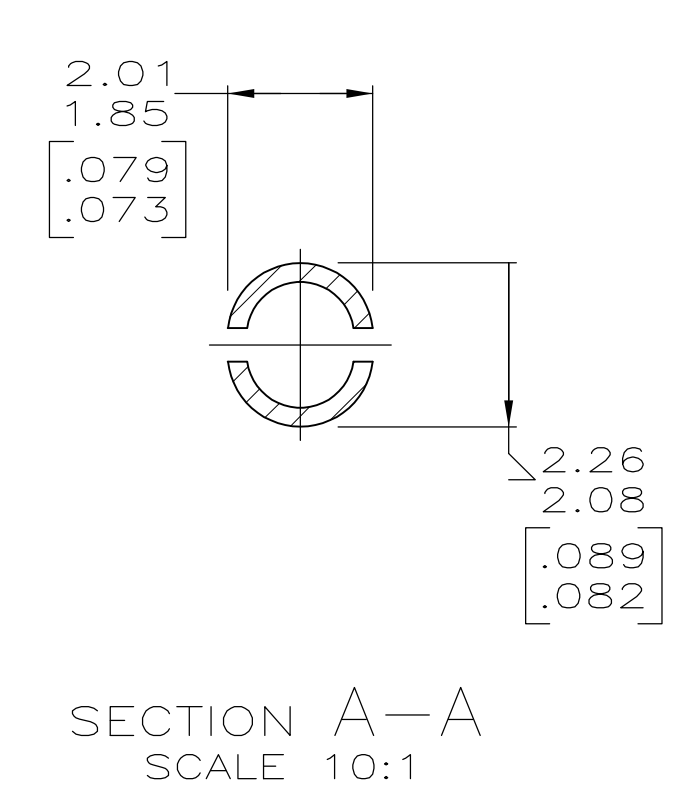
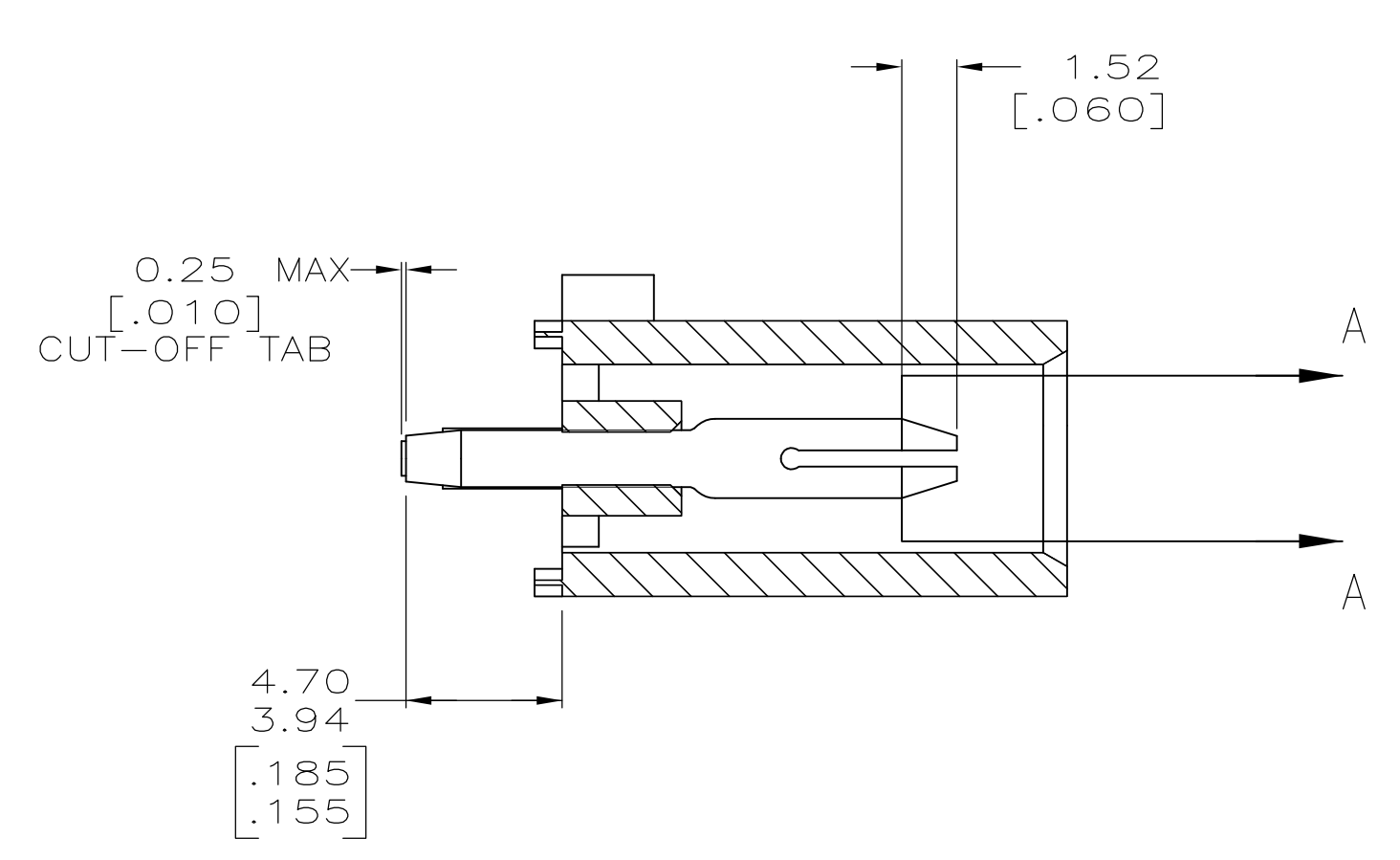
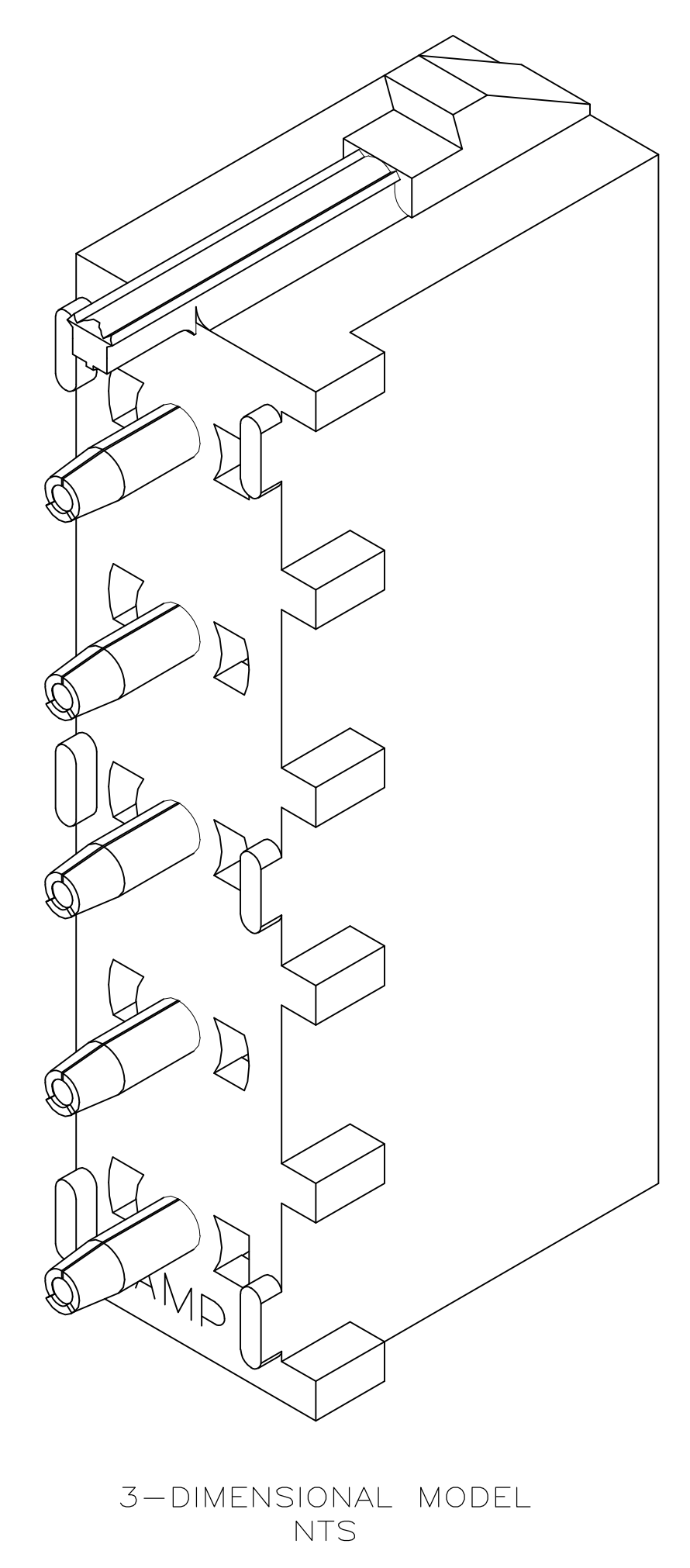
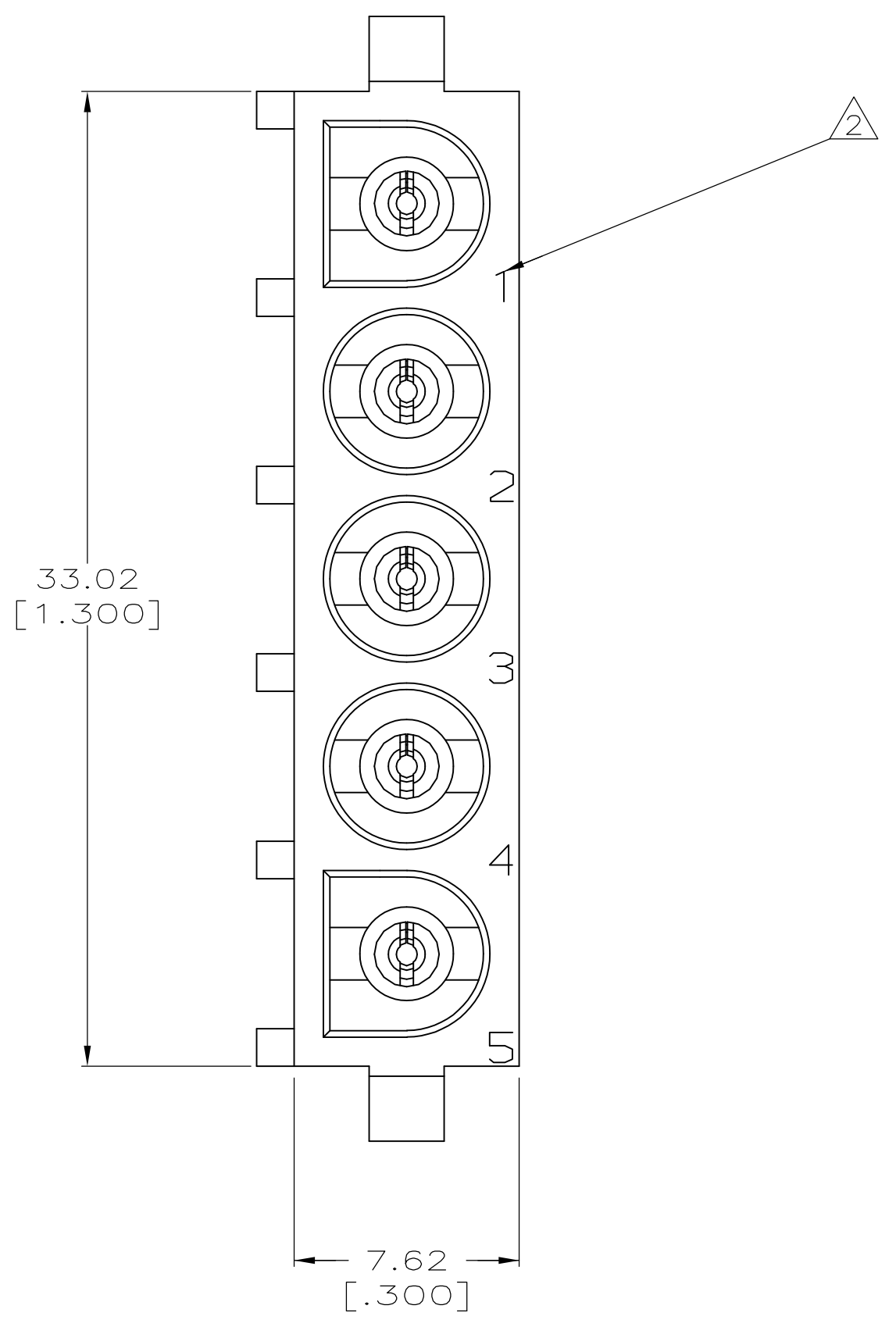
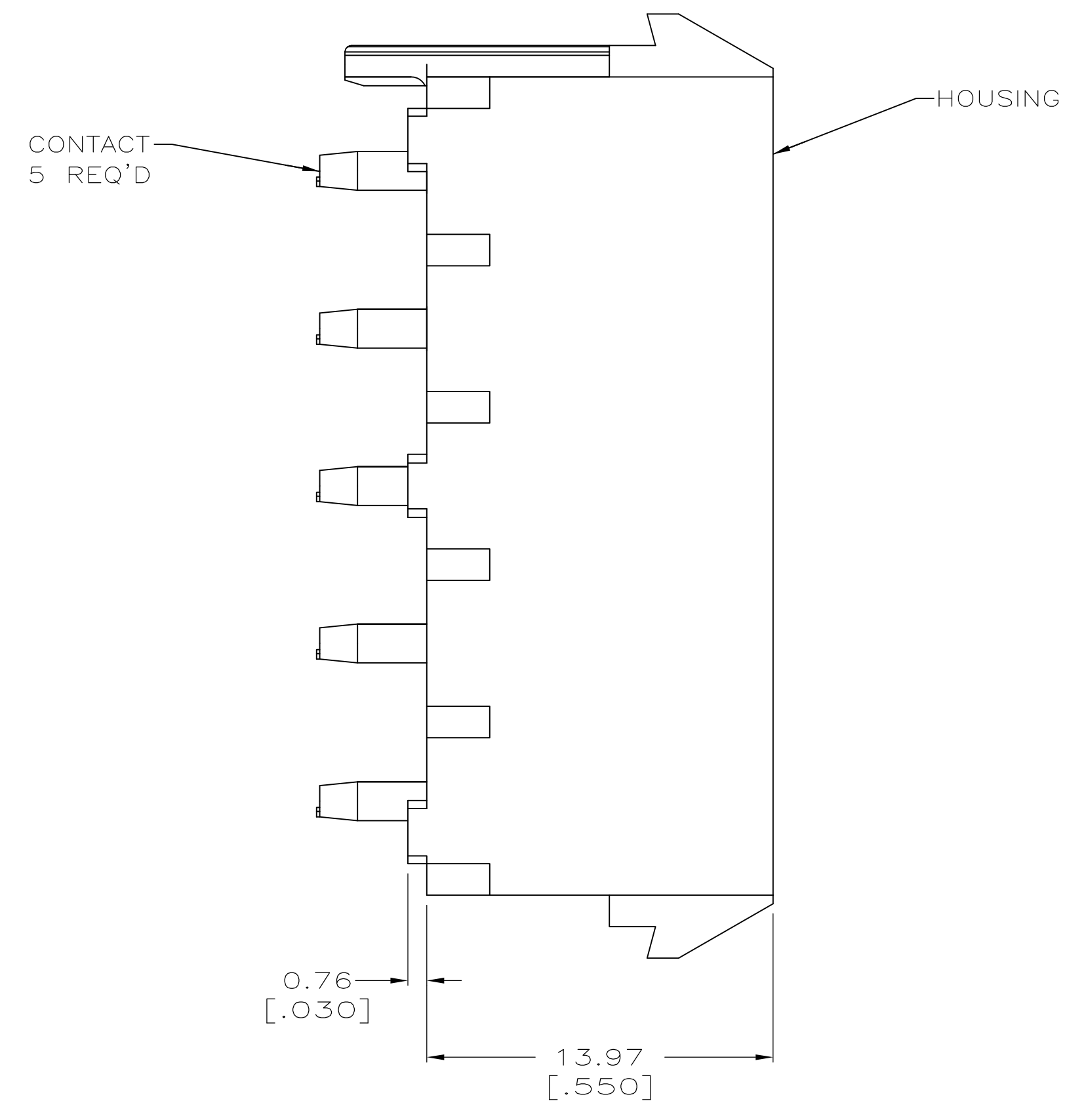
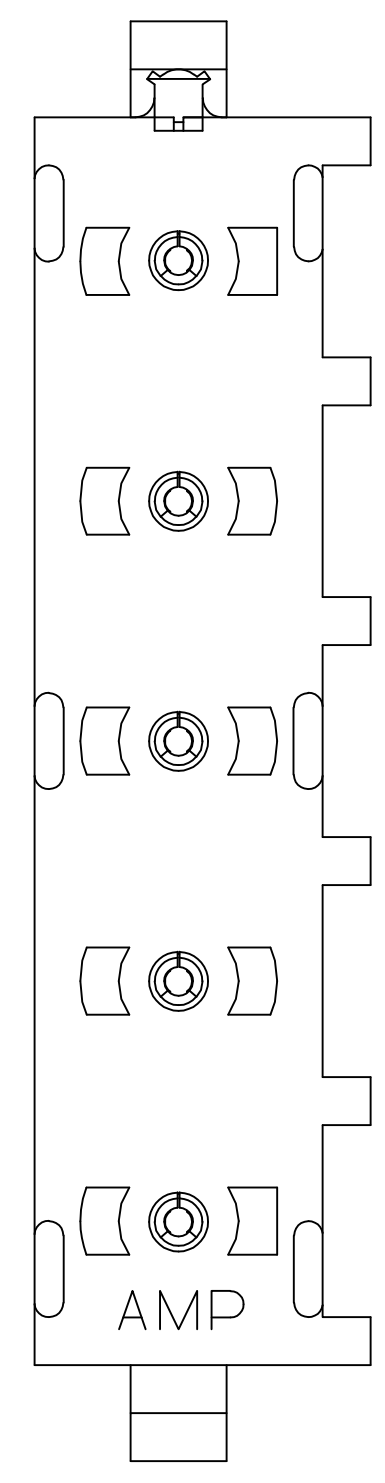


LOC		DIST		REVISIONS			
P	LTR	REV	PER	ECR	DATE	DMN	APVD
B				10-018921	14SEPT10	JR	TM

- PARTS COMPLY TO AMP SOLDERABILITY SPECIFICATION 109-11-3.
- CIRCUIT IDENTIFICATION CHARACTERS ARE ADJACENT TO THE INDICATED CAVITIES, BUT LOCATION AND ORIENTATION MAY DIFFER FROM PRINT.
- DIMENSIONS IN BRACKETS ARE IN INCHES.
- FLAMMABILITY V2 FOR THICKNESS 0.38mm, 1.5mm, and 3.0mm PER IEC 60695-11-10.
- GLOW-WIRE FLAMMABILITY (GWI) 800°C FOR THICKNESS 0.38mm AND 0.75mm PER IEC 60695-2-12.
- GLOW-WIRE FLAMMABILITY (GWI) 960°C FOR THICKNESS 1.5mm AND 3.0mm PER IEC 60695-2-12.
- GLOW-WIRE IGNITION (GWIT) 825°C FOR THICKNESS 0.38mm, 0.75mm, 1.5mm AND 3.0mm PER IEC 60695-2-13.



RECOMMENDED MOUNTING HOLE PATTERN FOR 1.57 [.062] THICK P.C. BOARD

PHOSPHOR BRONZE, PRE-TIN	NYLON, UL94V-2,NATURAL	1586970-1
CONTACT MATERIAL AND FINISH	HOUSING MATERIAL AND COLOR	PART NO
THIS DRAWING IS A CONTROLLED DOCUMENT.		
DIMENSIONS: mm [INCHES]	TOLERANCES UNLESS OTHERWISE SPECIFIED:	DWN: K. WHITAKER 07AJG2007 CHK: D. COLEY 07AJG2007 APVD: D. COLEY 07AJG2007 NAME: Tyco Electronics Corporation Harrisburg, PA 17105-3608 PRODUCT SPEC: PIN HEADER ASSEMBLY, POLARIZED, 5 CIRCUIT UNIVERSAL MATE-N-LOK(TM) APPLICATION SPEC: --- SIZE: A1 CAGE CODE: 00779 DRAWING NO: 1586970 RESTRICTED TO: --- WEIGHT: --- CUSTOMER DRAWING: ---
MATERIAL: SEE TABLE	FINISH: SEE TABLE	SCALE: 5:1 SHEET: 1 OF 1 REV: B

