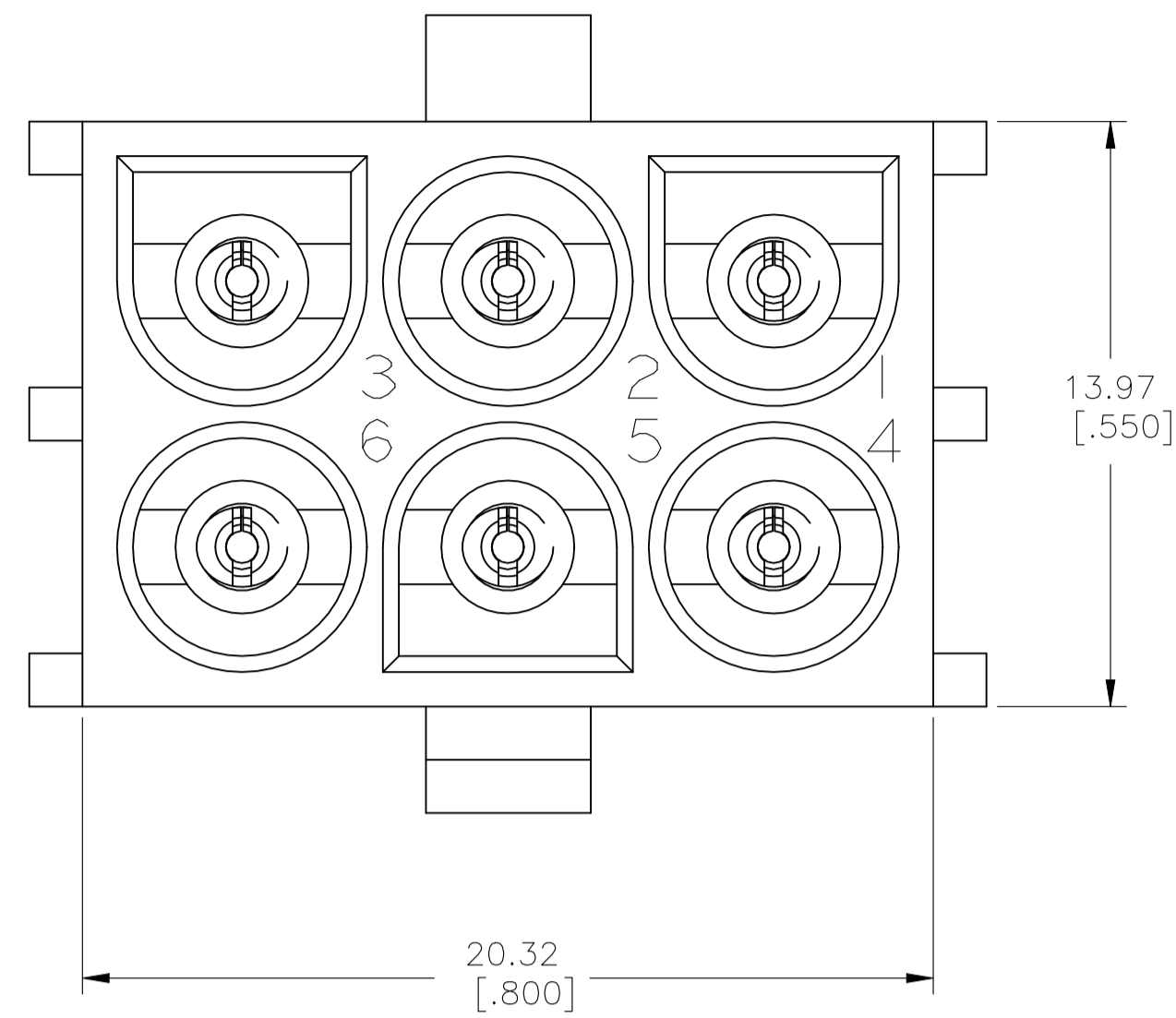
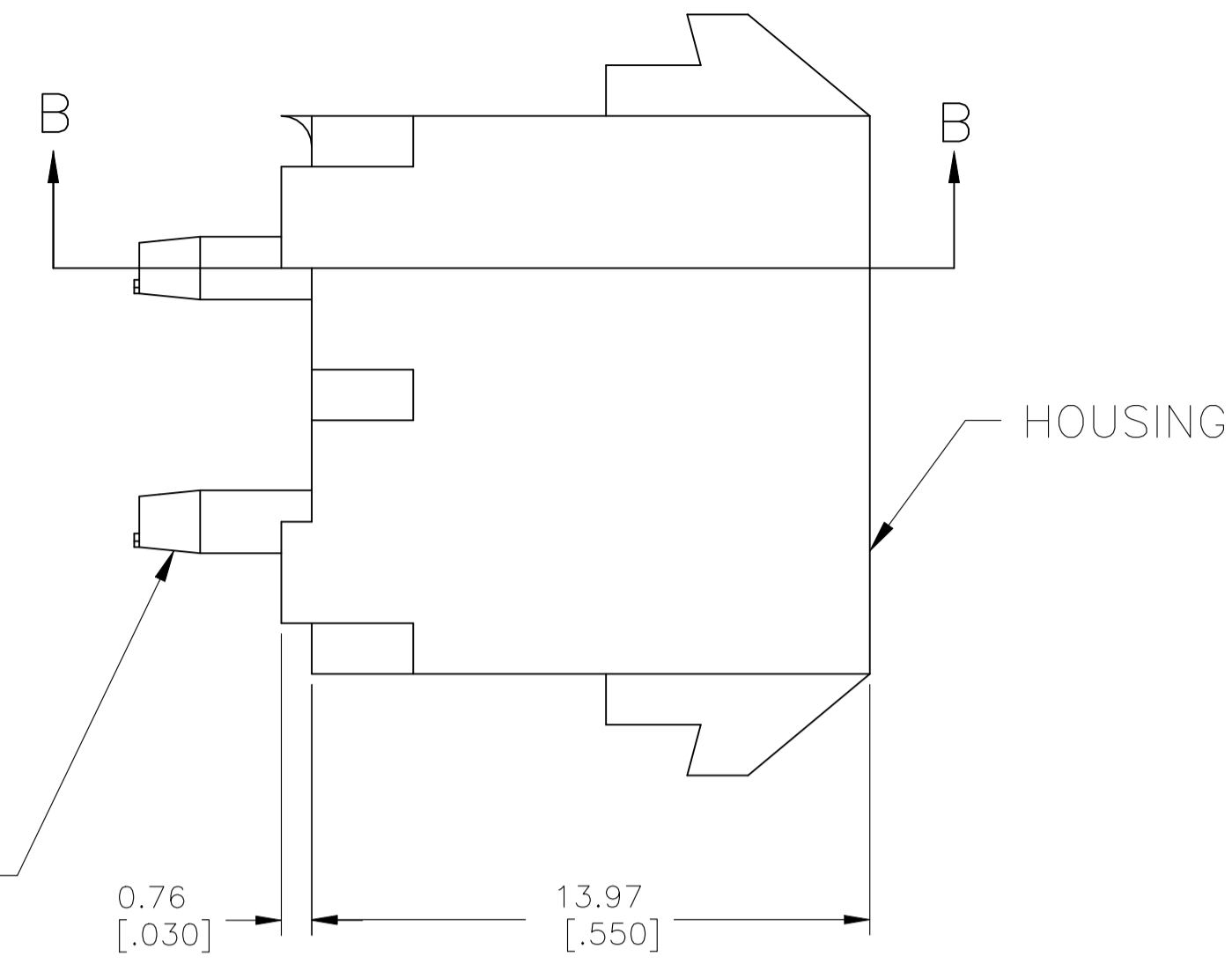
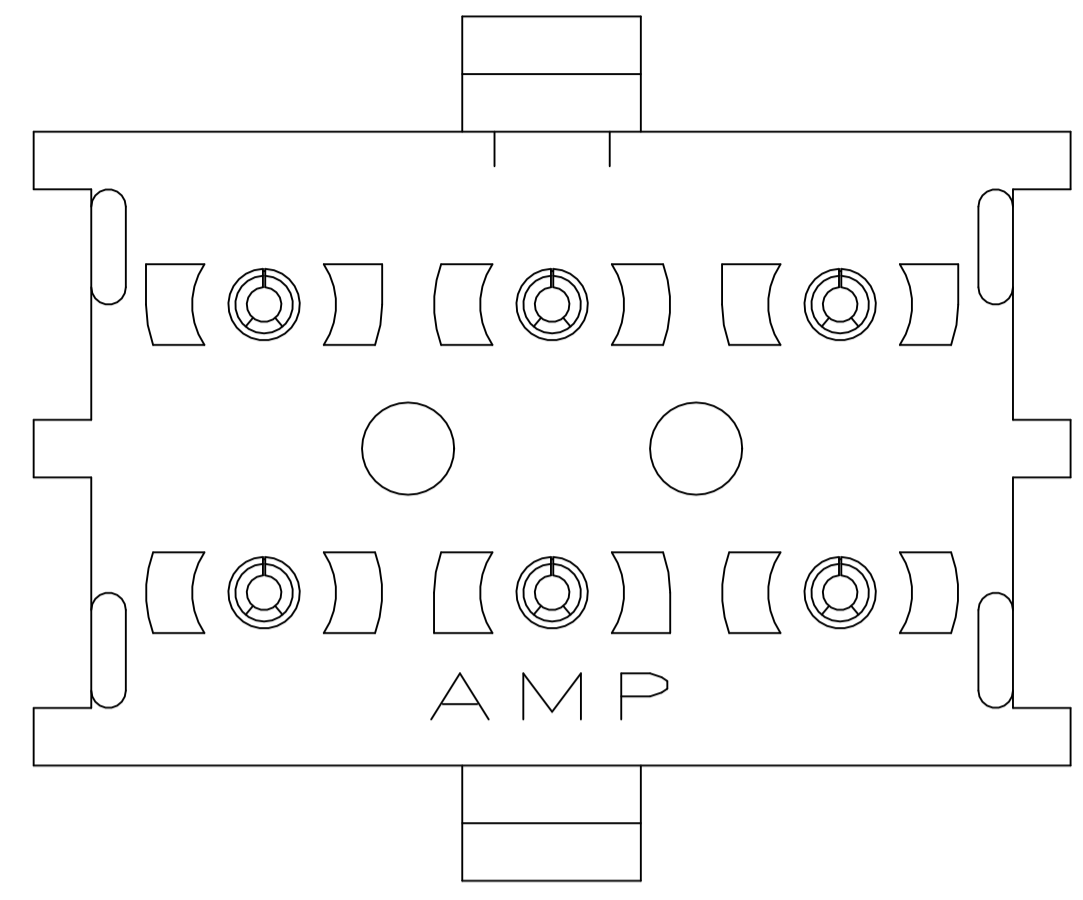
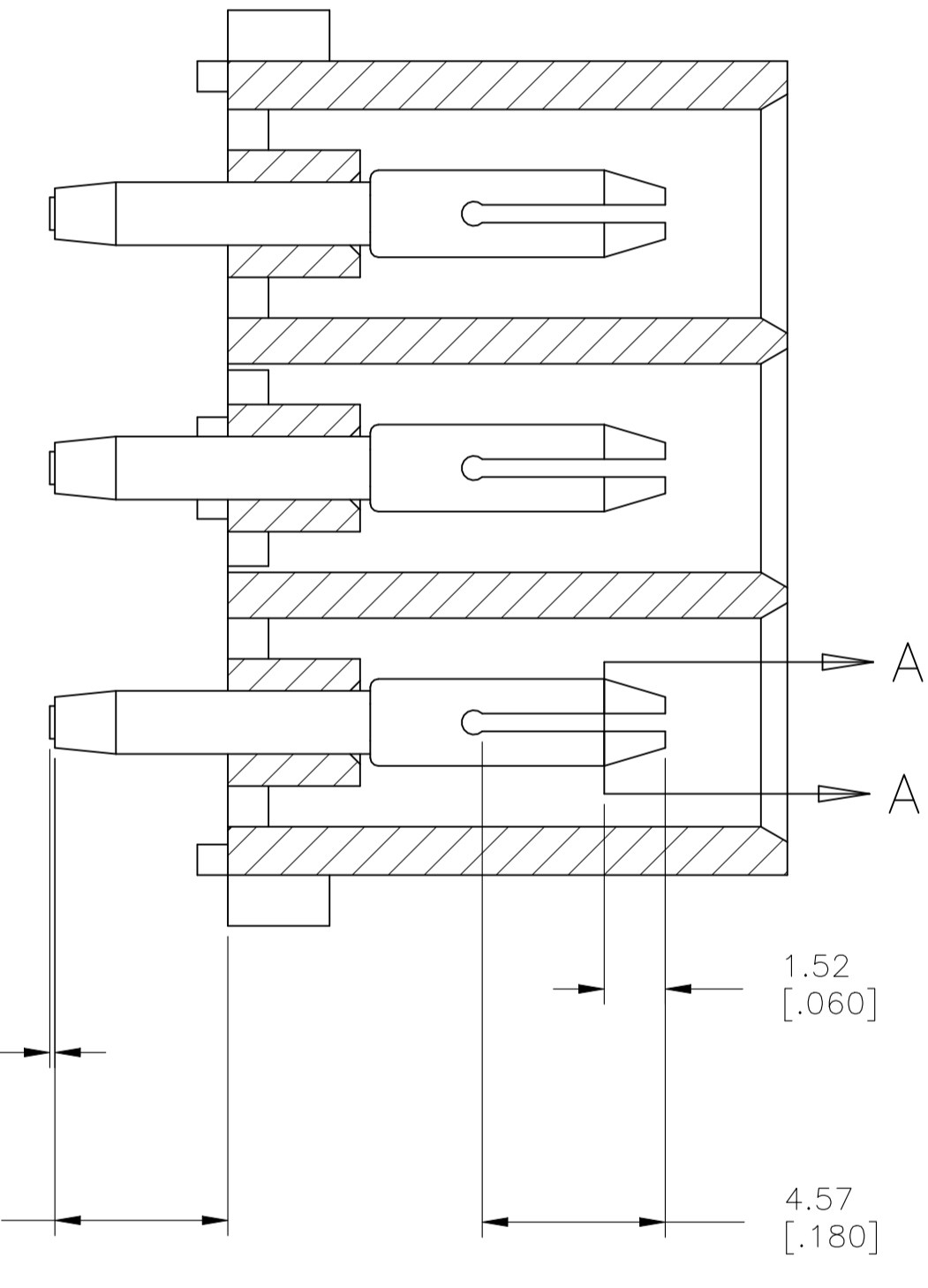


| REVISIONS | | | | | |
|-----------|-----------|---------------------------|----|-----|-------|
| REV | DATE | DESCRIPTION | BY | CHK | APP'D |
| B1 | 02NOV2021 | REVISED PER ECR-21-119230 | SS | VS | |

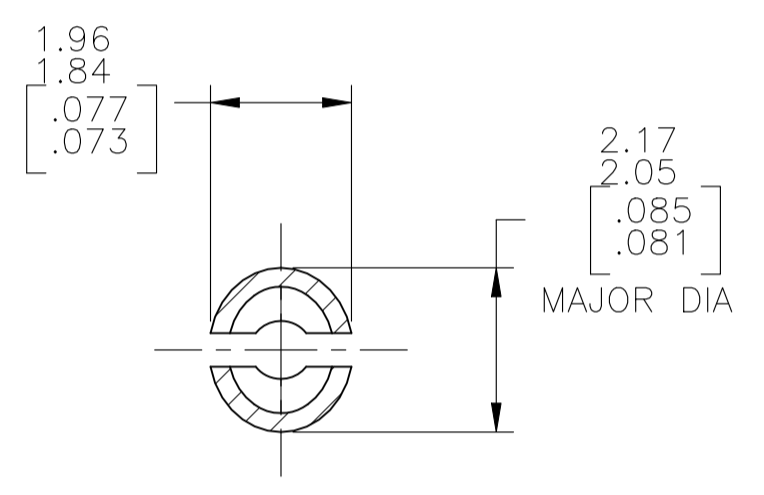


- PARTS MATE WITH HOUSING 1586846
- PARTS COMPLY TO AMP SOLDERABILITY SPECIFICATION 109-11-3.
- CIRCUIT IDENTIFICATION CHARACTERS ARE ADJACENT TO THE INDICATED CAVITIES, BUT LOCATION AND ORIENTATION MAY DIFFER FROM PRINT.
- FLAMMABILITY V2 FOR THICKNESS 0.38mm, 1.5mm, and 3.0mm PER IEC 60695-11-10.
- GLOW-WIRE FLAMMABILITY (GWFI) 800°C FOR THICKNESS 0.38mm AND 0.75mm PER IEC 60695-2-12.
- GLOW-WIRE FLAMMABILITY (GWFI) 960°C FOR THICKNESS 1.5mm AND 3.0mm PER IEC 60695-2-12.
- GLOW-WIRE IGNITION (GWIT) 825°C FOR THICKNESS 0.38mm, 0.75mm, 1.5mm AND 3.0mm PER IEC 60695-2-13.
- DIMENSIONS SHOWN REPRESENT PRODUCT IN DRY CONDITION. ADDITIONAL 2% GROWTH DUE TO END USE LOCATION MOISTURE ABSORPTION MAY OCCUR AND SHOULD BE ACCOUNTED FOR.

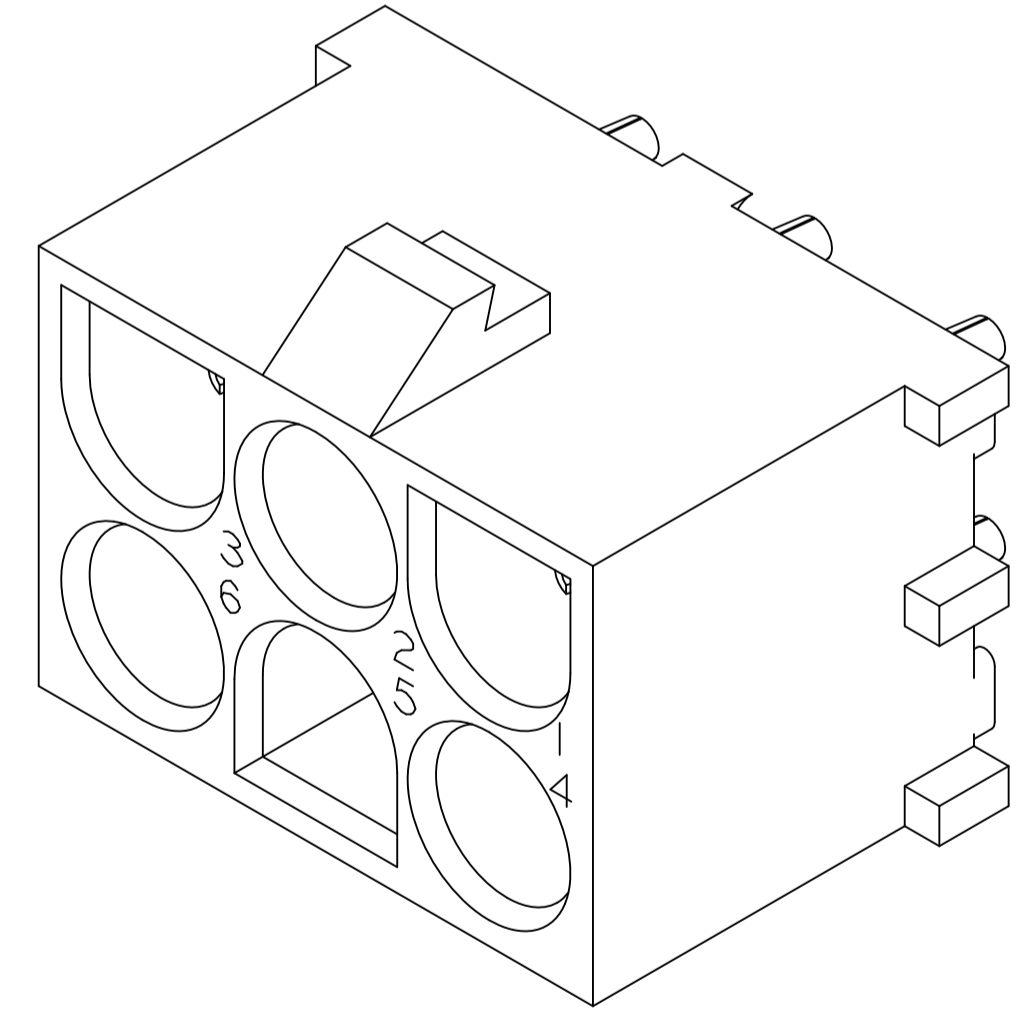
CONTACT 6 REQ'D



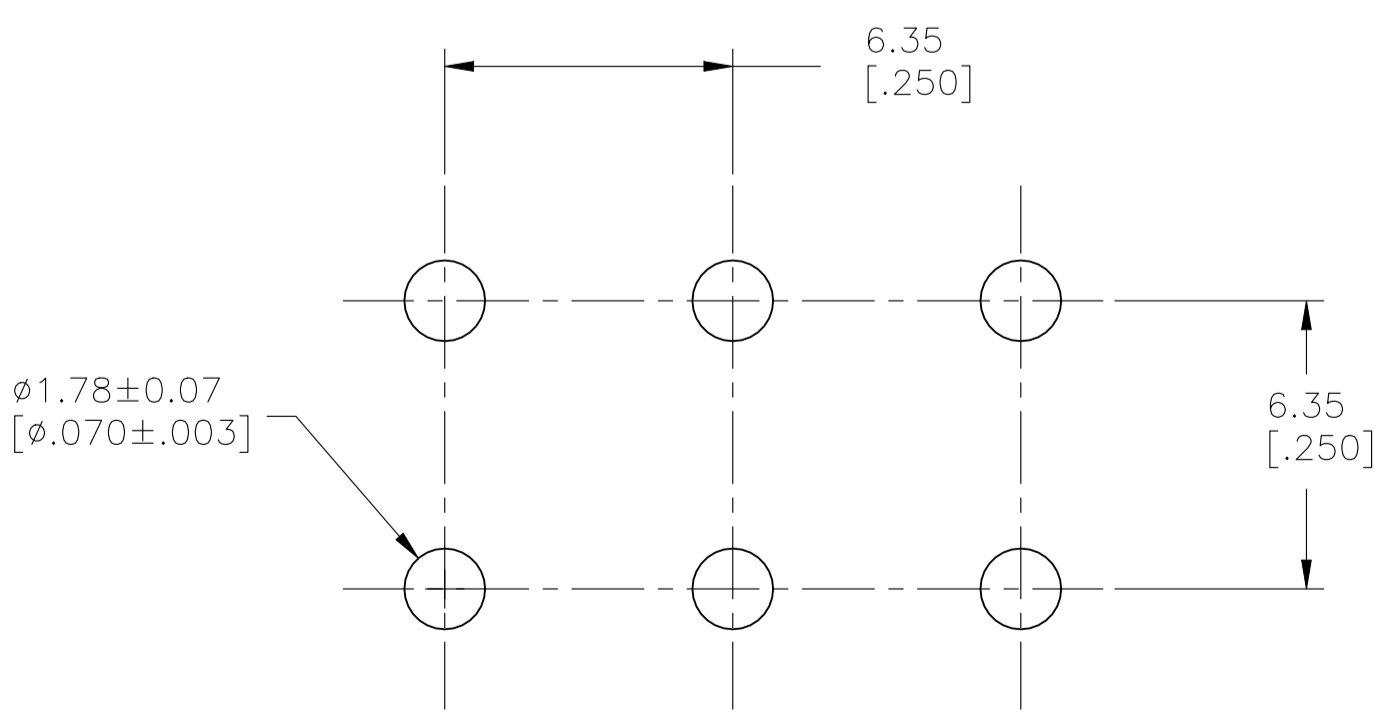
SECTION B-B



SECTION A-A
SCALE 10:1



3 DIMENSIONAL MODEL
SCALE 4:1



RECOMMENDED MOUNTING HOLE PATTERN
FOR 1.57[.062] THICK P.C. BOARD

| | | | |
|--|--|---|-------------|
| PHOSPOR BRONZE, PRE-TIN | | NYLON, UL94V-2, NATURAL | 1586979-1 |
| PIN CONTACT MATERIAL AND FINISH | | HOUSING MATERIAL AND COLOR | PART NUMBER |
| THIS DRAWING IS A CONTROLLED DOCUMENT. | | DIN RAGHAVENDRA 17APR09 CHK SARVER MICHAEL 17APR09 APVD SARVER MICHAEL 17APR09 NAME: PIN HEADER ASSEMBLY, 6 CIRCUIT, UNIVERSAL MATE-N-LOK PRODUCT SPEC: | |
| DIMENSIONS: mm [INCHES] TOLERANCES UNLESS OTHERWISE SPECIFIED: 0. PLC ± - 1. PLC ± - 2. PLC ± 0.13[.005] 3. PLC ± - 4. PLC ± - ANGLES ± ° 30' | | APPLICATION SPEC: - SIZE: A1 CAGE CODE: 00779 DRAWING NO: 1586979 RESTRICTED TO: - | |
| MATERIAL: SEE TABLE | | WEIGHT: 0.000000 CUSTOMER DRAWING: SCALE 5:1 SHEET 1 OF 1 REV B1 | |