

THIS DRAWING IS UNPUBLISHED.

RELEASED FOR PUBLICATION

20

© COPYRIGHT 20 BY -

ALL RIGHTS RESERVED.

REVISIONS

P	LTR	DESCRIPTION	DATE	DWN	APVD
9		ADD NEW DASH NUMBERS	25MAY2014	CZ	SZ
10		ADDED -5 AND -6	08MAY2023	DP	HW

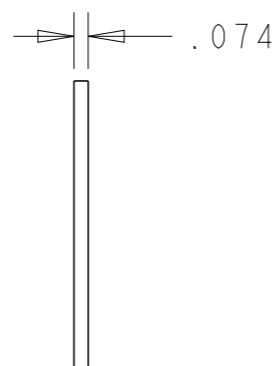
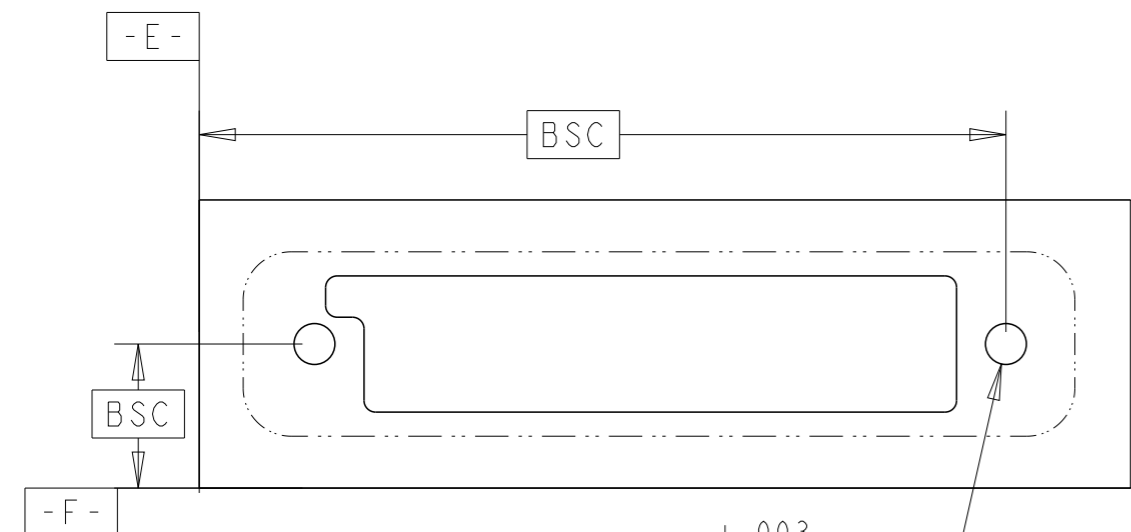
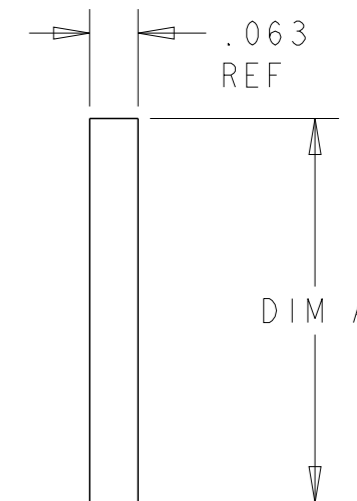
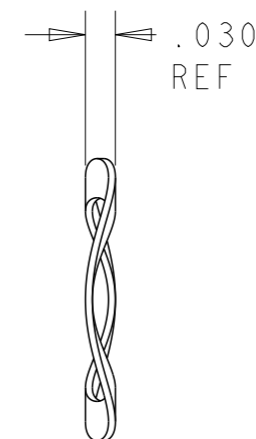
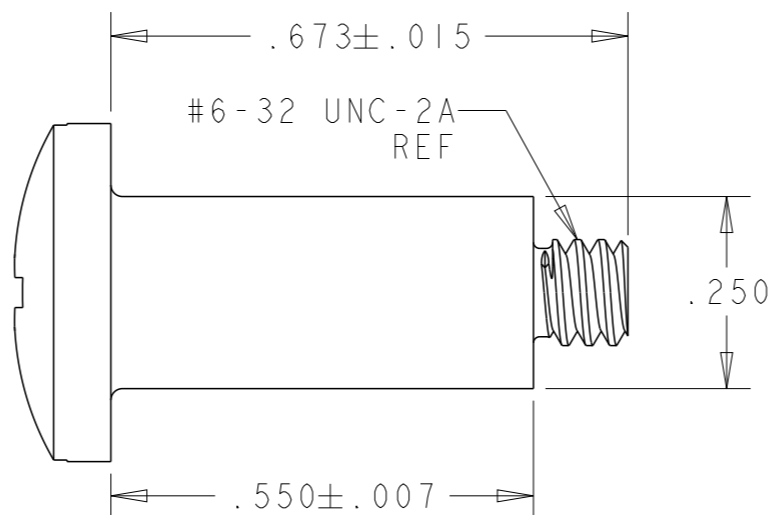
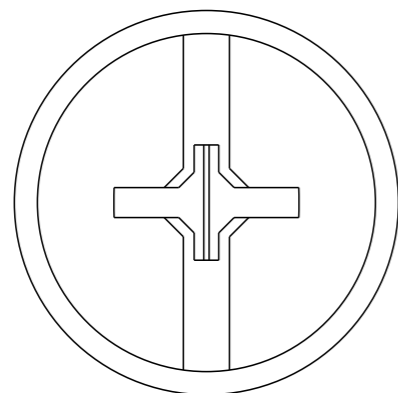
1 ONE(1) KIT CONSISTS OF TWO(2) EACH OF EACH PART SHOWN.

2 BULK PACKAGED.KITS TO BE ORDERED IN MULTIPLES OF 100.

3 SHOULDER SCREW: STAINLESS STEEL 303
WAVE SPRING WASHER: SPRING STEEL S50C
FLAT WASHER: STAINLESS STEEL 303

4 RECOMMEND TO USE PEMSERT SELF-CLINCHING FLUSH NUTS,
PEM PART NUMBER:F-632-1

5 SHOULDER SCREW: STAINLESS STEEL 303
FLAT WASHER: STAINLESS STEEL 303



BULK	5	.500	1600000-6
KIT	5	.500	1600000-5
BULK		.405	1600000-4
KIT		.405	1600000-3
BULK	2	.500	1600000-2
KIT	1	.500	1600000-1
DESCRIPTION		DIM A	PART NUMBER

∅ .213^{+0.003}/_{-.000}

⊕ .004Ⓢ E F
2PLC

IF USE PEMSERT SELF-CLINCHING FLUSH NUT,
PLEASE REFER TO THIS PANEL MOUNTING HOLE
DIMENSIONS.OTHER DIMENSIONS PLEASE REFER TO
C-DRAWING OF DETAIL PART.

THIS DRAWING IS A CONTROLLED DOCUMENT.

DWN HESPER LIU 2SEP2008

CHK SUNY ZHAO 2SEP2008

APVD -

PRODUCT SPEC -

APPLICATION SPEC -

WEIGHT -

CUSTOMER DRAWING



TE Connectivity

NAME
HARDWARE KIT
PANEL MOUNT MULTI-BEAM

SIZE A3 CAGE CODE - DRAWING NO C-1600000 RESTRICTED TO -

SCALE 1:1 SHEET 1 OF 1 REV 10

DIMENSIONS: INCHES	TOLERANCES UNLESS OTHERWISE SPECIFIED:
0 PLC	±
1 PLC	±0.1
2 PLC	±0.02
3 PLC	±0.005
4 PLC	±0.0005
ANGLES	±
MATERIAL	FINISH
3	-