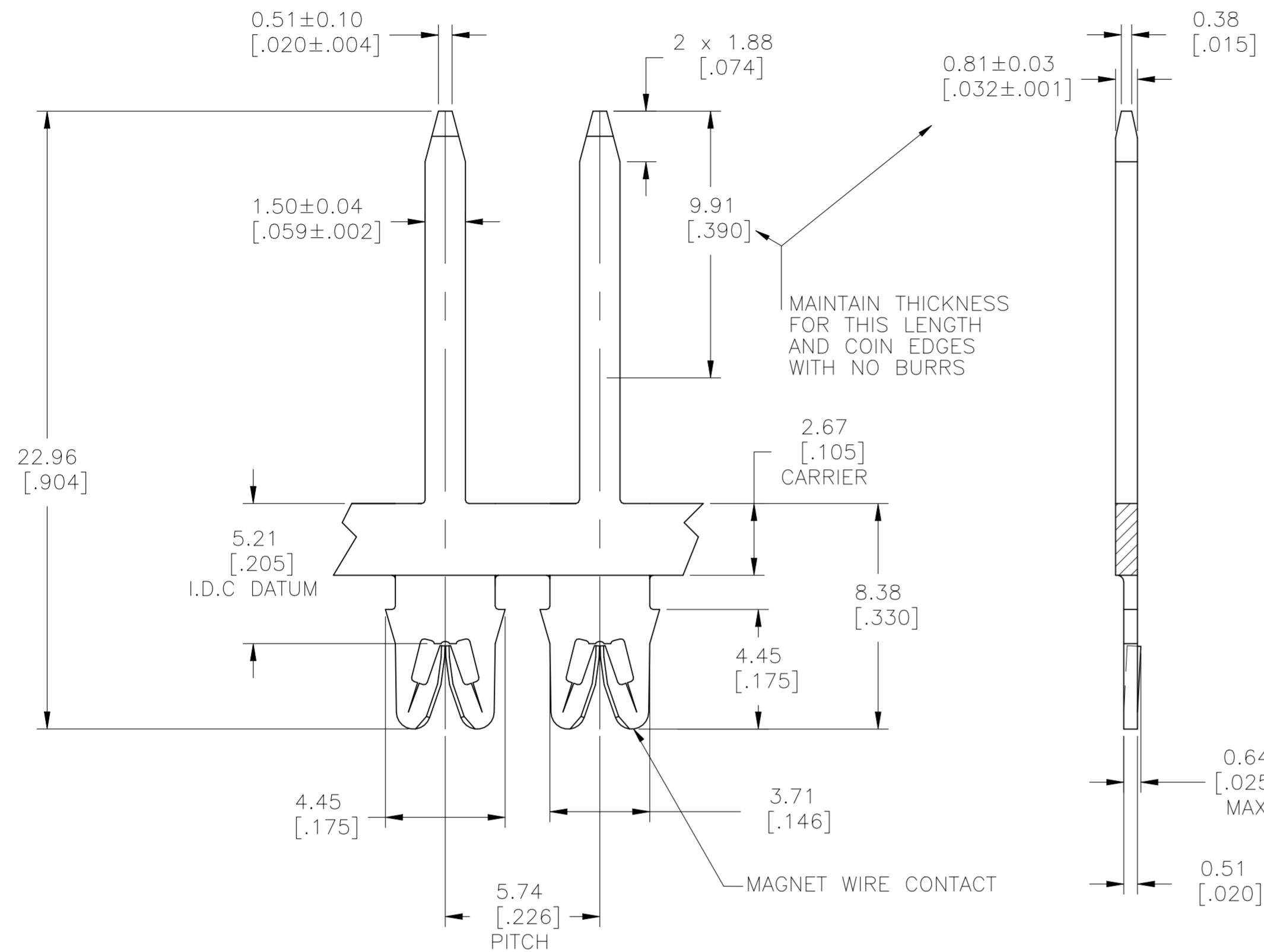
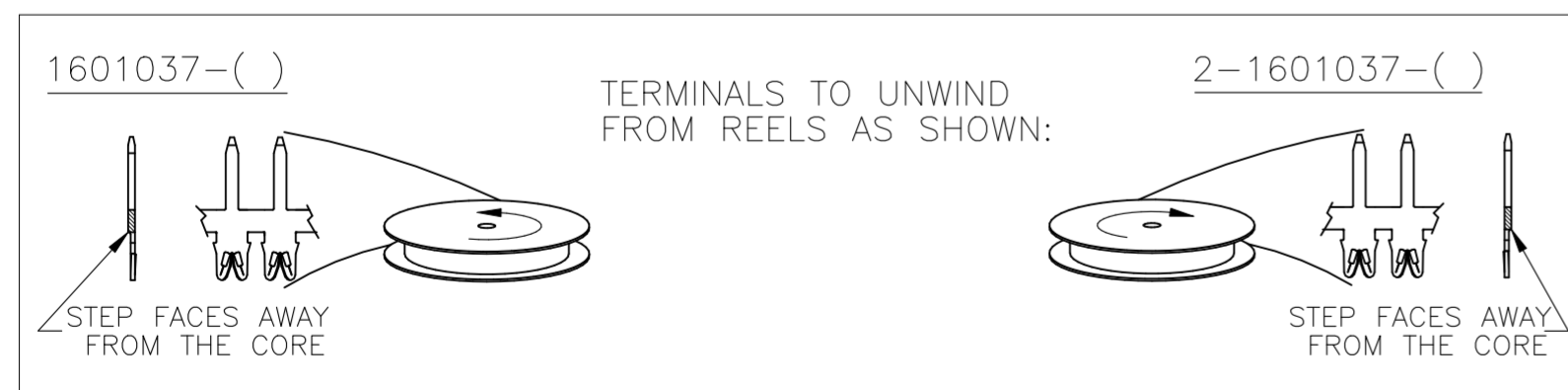
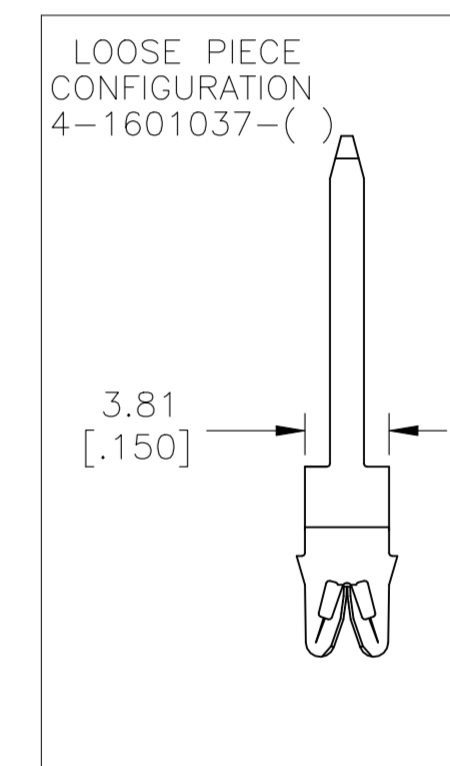


THIS DRAWING IS UNPUBLISHED. RELEASED FOR PUBLICATION
 © COPYRIGHT - TE Connectivity Ltd. ALL RIGHTS RESERVED.

REVISIONS					
P	LTR	DESCRIPTION	DATE	DWN	APVD
	C6	REVISED PER ECR-23-188762	04JAN2024	PC	FDP



- 1 SPECIFICATIONS:
MAGNET WIRE #18- #34 AWG
1.02 mm (.040)- 0.16 mm (.006) DIA COPPER.
- 2 POCKET RECOMMENDATION: # 1601431
- 3 TERMINAL APPLICATION TO COMPLY WITH TYCO ELECTRONICS SPECIFICATION 114-13166 FIGURE 10
- 4 TERMINALS SUPPLIED ON REELS, CAN BE SUPPLIED LOOSE PIECE,
- 5 TWO(2) TERMINALS SHOWN FOR ILLUSTRATION PURPOSES ONLY.
- 6 PRODUCT SPECIFICATION: STANDARD SIAMEZE 108-2085
- 7 PRODUCT SPECIFICATION; HIGH TEMPERATURE 108-2293
- 8 PRELIMINARY-FOR QUOTATION



-	-	-	-
POST TIN PLATE	BRASS, $\frac{3}{4}$ HARD	-	6 1601037-4 8
UNPLATED	EXTRA HARD CU ALLOY	-	7 4-1601037-3 8
UNPLATED	EXTRA HARD CU ALLOY	-	7 2-1601037-3 8
POST-TIN PLATE	BRASS, $\frac{3}{4}$ HARD	131-084-010	6 2-1601037-2
POST-TIN PLATE	BRASS, $\frac{3}{4}$ HARD	131-083-010	6 1601037-2
FINISH	MATERIAL	REFERENCE PART NUMBER	TE PART NUMBER
THIS DRAWING IS A CONTROLLED DOCUMENT.		DWN J.WELLER 11JAN2002 CHK M.FEHER 11JAN2002 APVD K.RANDOLPH 11JAN2002 PRODUCT SPEC APPLICATION SPEC	
DIMENSIONS: mm [INCHES] TOLERANCES UNLESS OTHERWISE SPECIFIED: 0 PLC ± - 1 PLC ± - 2 PLC ± 0.13[.005] 3 PLC ± - 4 PLC ± - ANGLES ± 2°		NAME SEE NOTES 3	
MATERIAL SEE TABLE	FINISH SEE TABLE	WEIGHT 0.000000	SIZE A2 CAGE CODE 00779 DRAWING NO C=1601037 RESTRICTED TO -
CUSTOMER DRAWING		SCALE 6:1	SHEET 1 OF 1 REV C6

1601037