

REVISIONS					
P.	LTN	DESCRIPTION	DATE	DMN	APVD
J		REV PER ECO 20-008596	1-8-21	CT	DM

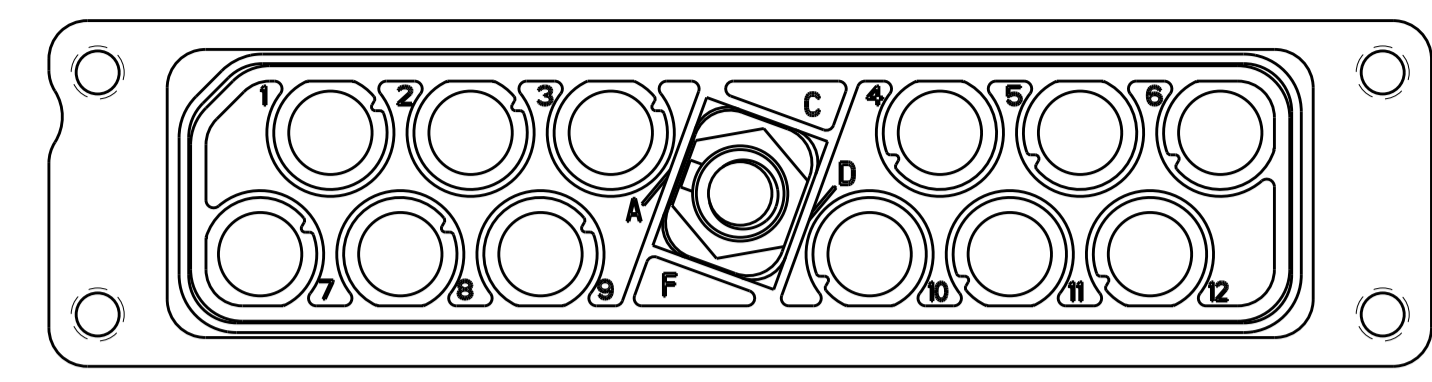


FIGURE 1
1604799-9 SHOWN
KEYED IN "A" POSITION

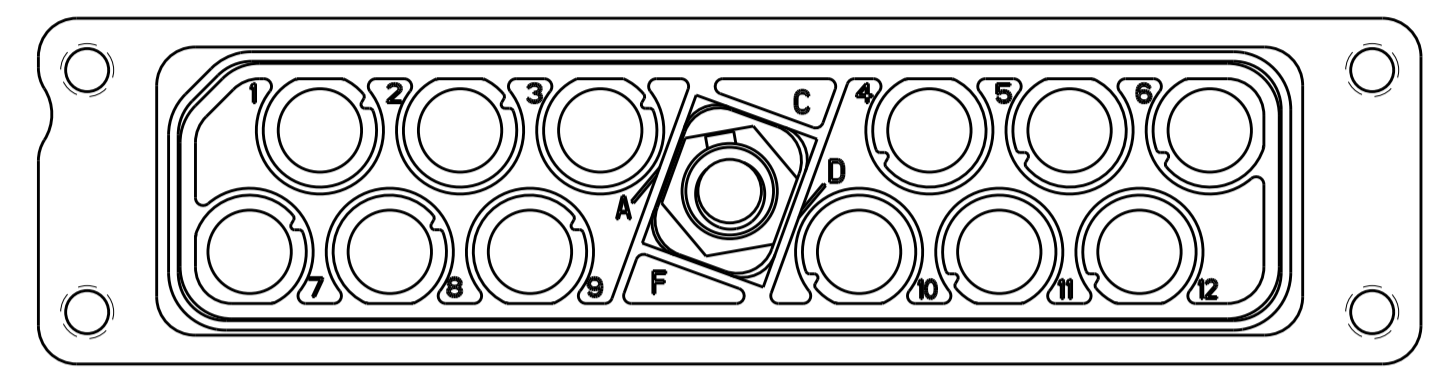


FIGURE 2
1-1604799-0 SHOWN
KEYED IN "B" POSITION

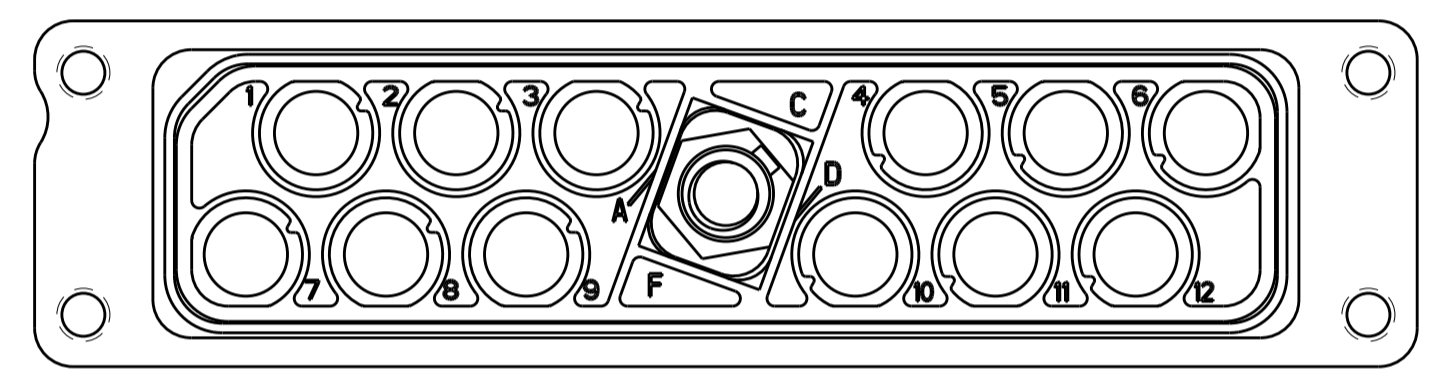


FIGURE 3
1-1604799-1 SHOWN
KEYED IN "C" POSITION

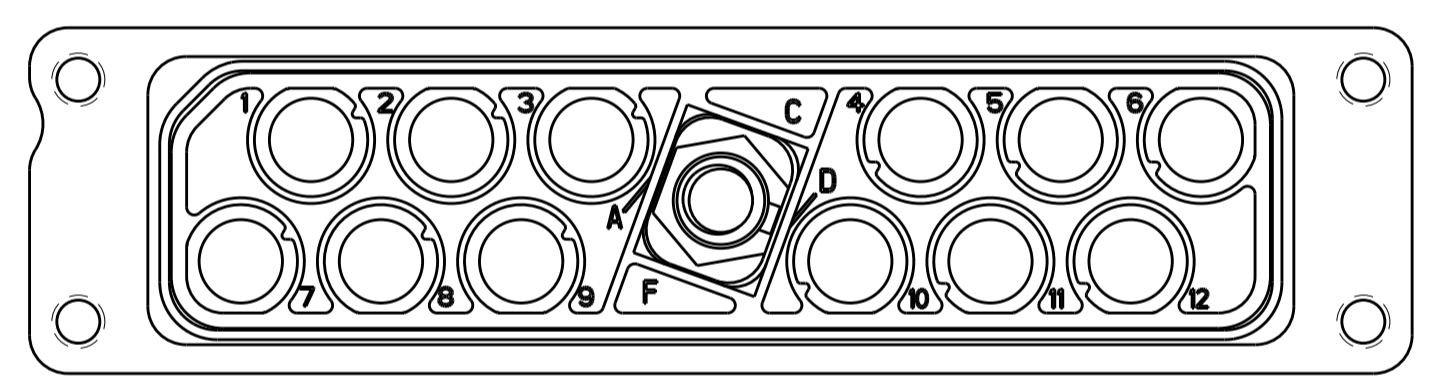


FIGURE 4
1-1604799-2 SHOWN
KEYED IN "D" POSITION

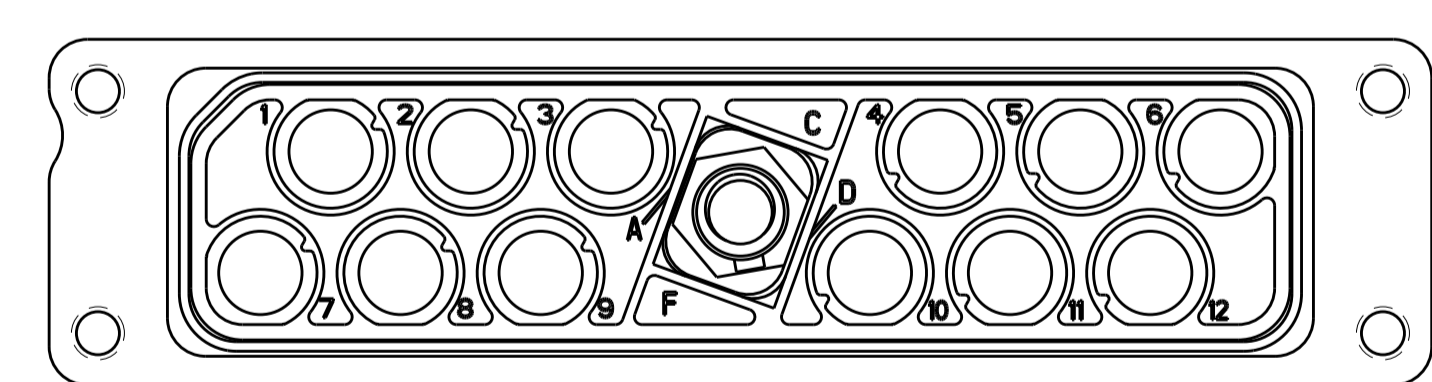


FIGURE 5
1-1604799-3 SHOWN
KEYED IN "E" POSITION

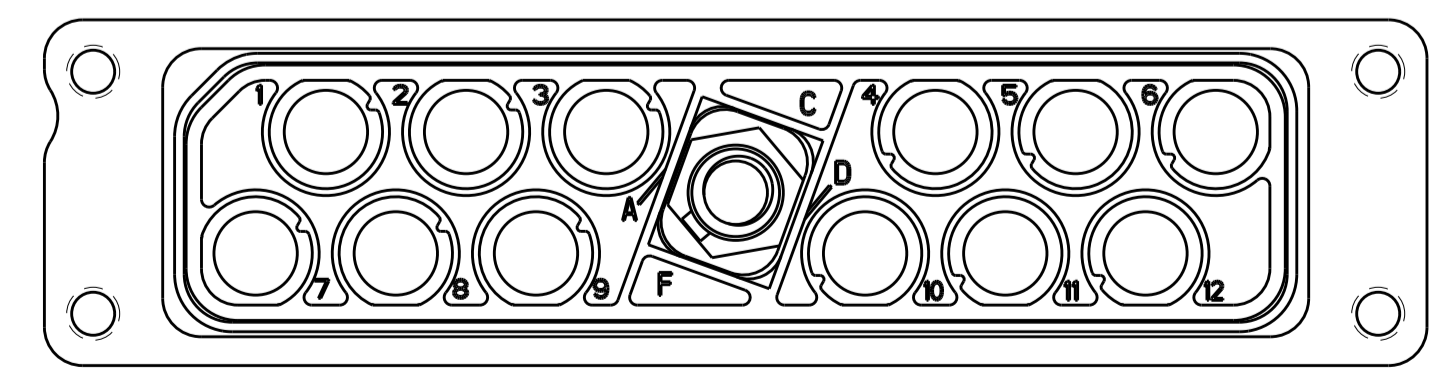


FIGURE 6
1-1604799-4 SHOWN
KEYED IN "F" POSITION

- ⚠ TE LOGO, DATE CODE AND TE OR CUSTOMER PART NUMBER (SEE TABLE) MARKED APPROX AS SHOWN ON EITHER SIDE.
- ⚠ JACKPOST KIT IS SHIPPED UNASSEMBLED. KIT IS PACKAGED IN A SEALED BAG.

SUPERSEDED BY 1604799-5

OBSOLETE

REMARKS	HOUSING FINISH	RECOMMENDED CONTACT WITH WIRE SEAL (NOT INCLUDED)	CUSTOMER PART NUMBER	DESCRIPTION	TE PART NO
SEE FIGURE 6	ELECTROLESS NICKEL	1445692-4	BACC65BD12NF	JACKPOST ASSEMBLED POLARIZATION CODE "F"	1-1604799-4
SEE FIGURE 5	ELECTROLESS NICKEL	1445692-4	BACC65BD12NE	JACKPOST ASSEMBLED POLARIZATION CODE "E"	1-1604799-3
SEE FIGURE 4	ELECTROLESS NICKEL	1445692-4	BACC65BD12ND	JACKPOST ASSEMBLED POLARIZATION CODE "D"	1-1604799-2
SEE FIGURE 3	ELECTROLESS NICKEL	1445692-4	BACC65BD12NC	JACKPOST ASSEMBLED POLARIZATION CODE "C"	1-1604799-1
SEE FIGURE 2	ELECTROLESS NICKEL	1445692-4	BACC65BD12NB	JACKPOST ASSEMBLED POLARIZATION CODE "B"	1-1604799-0
SEE FIGURE 1	ELECTROLESS NICKEL	1445692-4	BACC65BD12NA	JACKPOST ASSEMBLED POLARIZATION CODE "A"	1604799-9
⚠	ELECTROLESS NICKEL	1445692-4	BACC65BD12N	WITH JACKPOST KIT (FLAT POLARIZATION) (NOT INSTALLED)	1604799-8
⚠	ELECTROLESS NICKEL	1445692-3	---	WITH JACKPOST KIT (FLAT POLARIZATION) (NOT INSTALLED)	1604799-7
⚠	ELECTROLESS NICKEL	1445692-3	---	WITH JACKPOST KIT (FLAT POLARIZATION) (NOT INSTALLED)	1604799-5
⚠	BLACK ANODIZED	1445692-4	BACC65BD12A	WITH JACKPOST KIT (FLAT POLARIZATION) (NOT INSTALLED)	1604799-4

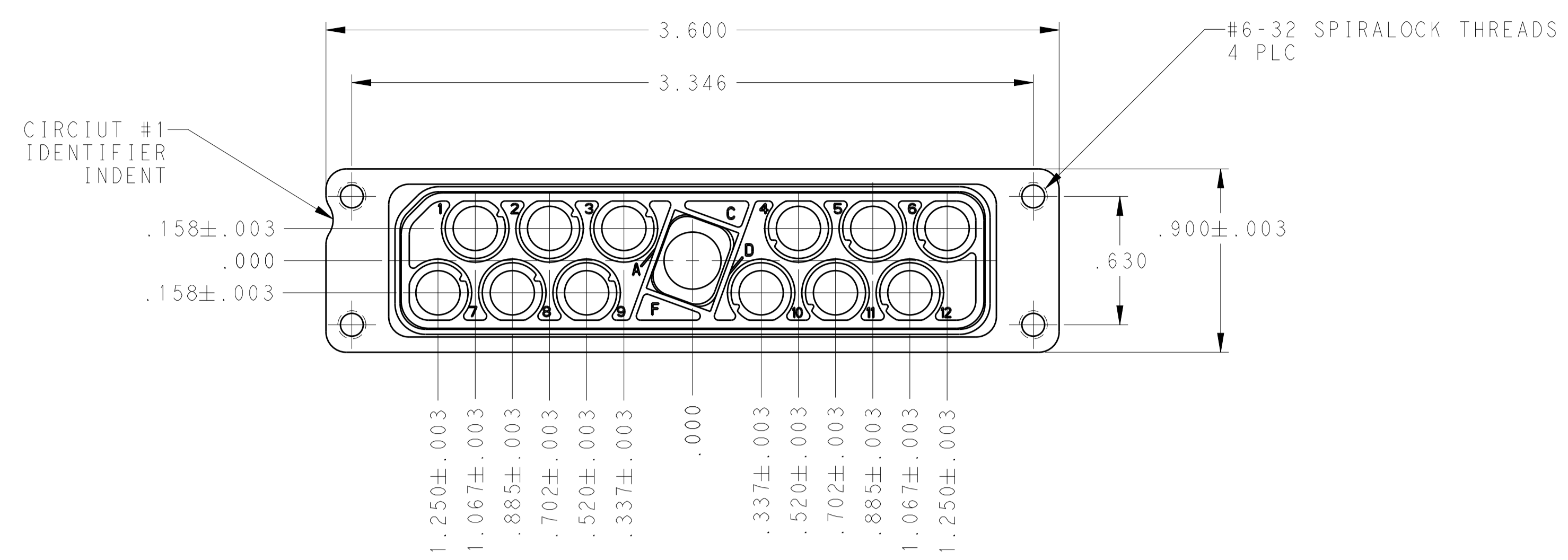
THIS DRAWING IS A CONTROLLED DOCUMENT. DIMENSIONS: INCHES. TOLERANCES UNLESS OTHERWISE SPECIFIED: 0 PLC ±. 1 PLC ±. 2 PLC ±. 3 PLC ±. 4 PLC ±. ANGLES ±. FINISH SEE CALLOUTS. MATERIAL SEE CALLOUTS.

DMN: C.C. THOMAS 29NOV2010. CHK: D. MILLER 29NOV2010. APVD: D. MILLER 29NOV2010.

TE Connectivity

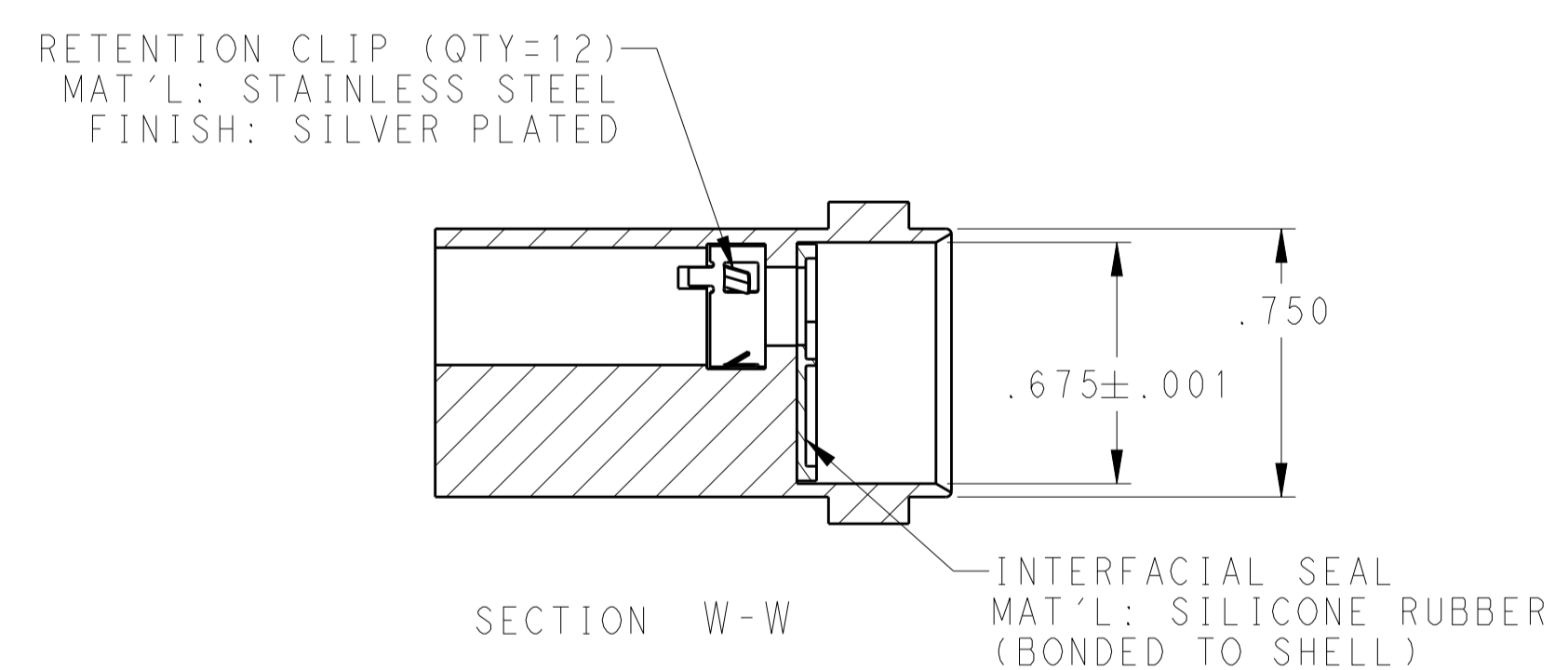
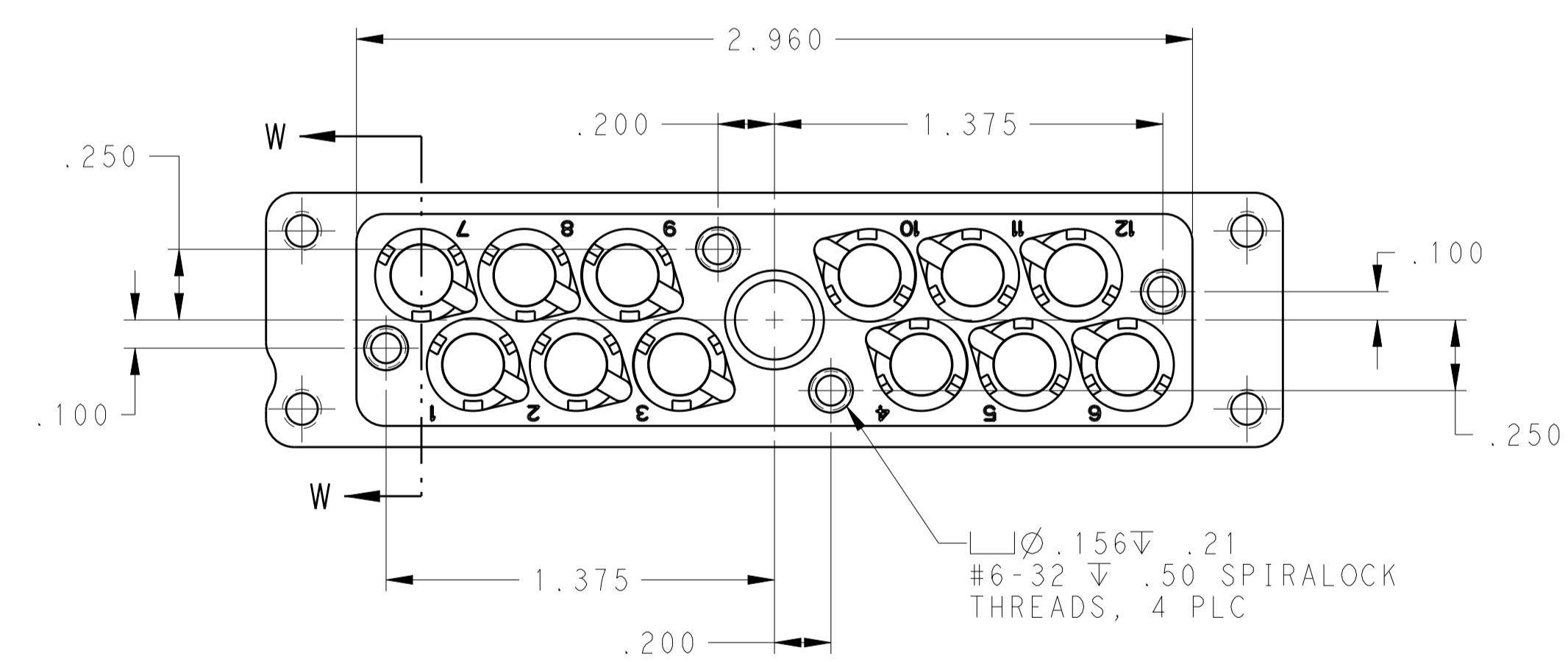
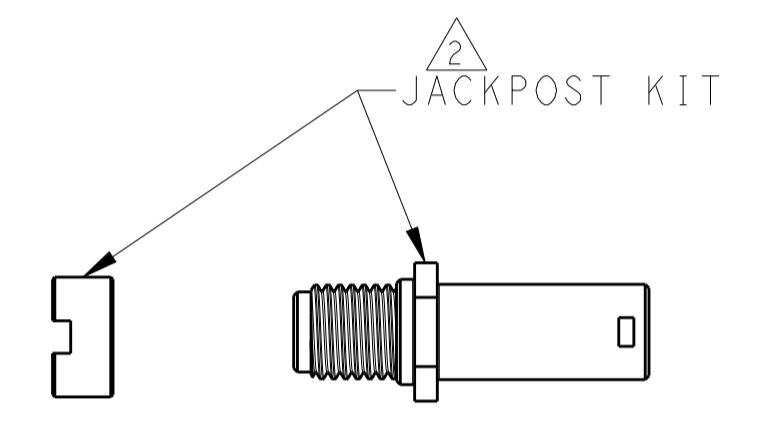
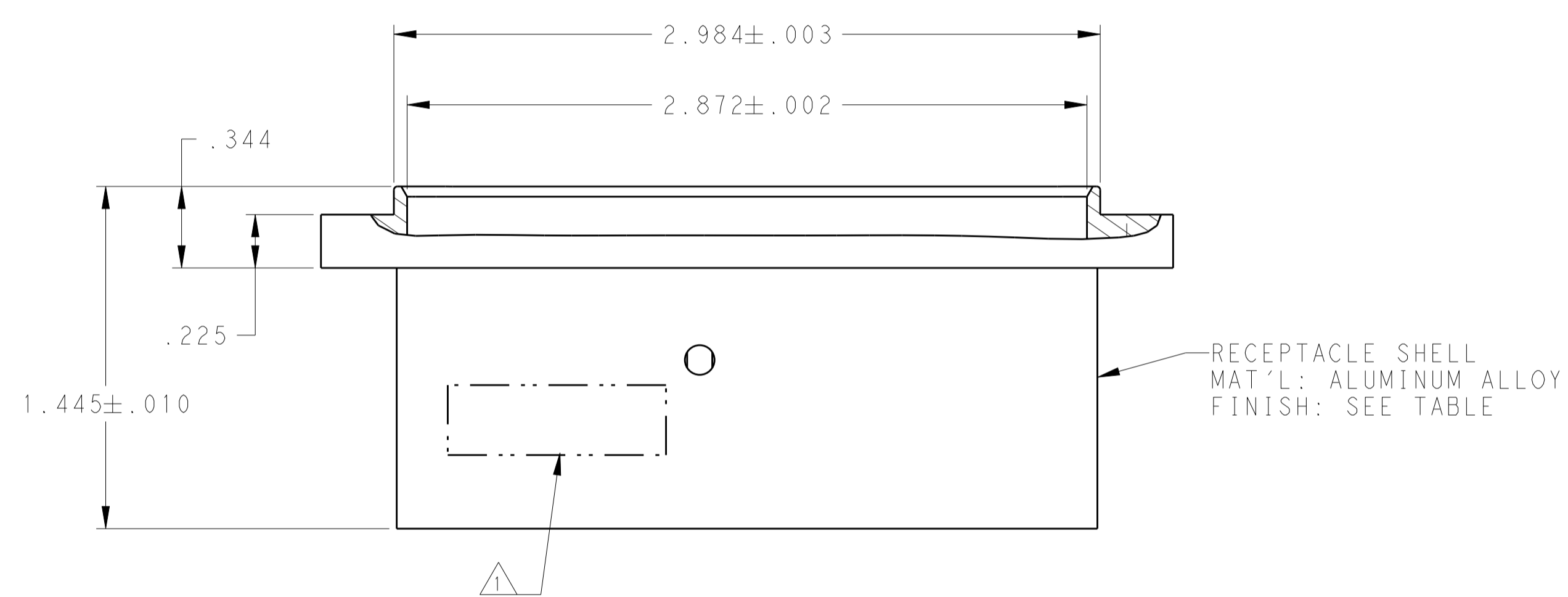
NAME: RECEPTACLE ASSY, QUADRAX, PANEL MOUNT RR/RR, 12 POSITION. SIZE: A100779. CAGE CODE: 1604799. DRAWING NO: 1604799. SCALE: 2:1. SHEET 1 OF 2. REV J.

REVISIONS				
P.	LTN	DESCRIPTION	DATE	APVD
-	-	SEE SHEET #1	-	-



RCPT
 1604996-X
 CONDUCTIVE

DUST COVER
 (INSTALLED FOR SHIPPING)



THIS DRAWING IS A CONTROLLED DOCUMENT.		DWN C.C. THOMAS 29NOV2010	TE Connectivity
DIMENSIONS: INCHES		CHK D. MILLER 29NOV2010	
TOLERANCES UNLESS OTHERWISE SPECIFIED:		APVD D. MILLER 29NOV2010	NAME RECEPTACLE ASSY, QUADRAX, PANEL MOUNT RR/RR, 12 POSITION
0 PLC ± 1 PLC ± 2 PLC ± 3 PLC ±.005 4 PLC ± ANGLES ±		PRODUCT SPEC	RESTRICTED TO
MATERIAL SEE CALLOUTS		APPLICATION SPEC	SIZE A100779C=1604799
FINISH SEE CALLOUTS		WEIGHT	SCALE 2:1 SHEET 2 OF 2 REV J
CUSTOMER DRAWING		SCALE 2:1	SHEET 2 OF 2 REV J