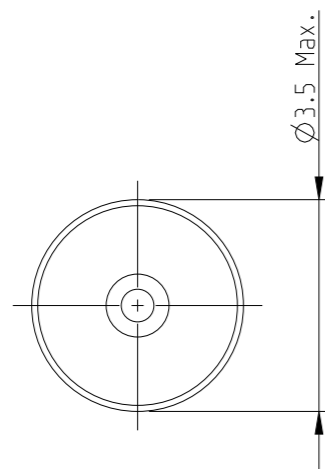


REVISIONS

P	LTR	DESCRIPTION	DATE	DWN	APVD
	BA	NEW RELEASE	23-MAR-10	MRS	St.P
	BB	CLARIFICATION OF DIMENSIONS	18JAN2023	DM	AP

FOR FURTHER INFORMATION SEE DATA SHEET FOR SERIES LR, METAL FILM FIXED RESISTORS



RoHS Compliant

THIS DRAWING IS A CONTROLLED DOCUMENT.

DWN	MAHARUDRA	23-MAR-10
CHK	ALLAN.P	23-MAR-10
APVD	STEPHEN.P	23-MAR-10
PRODUCT SPEC	-	-
APPLICATION SPEC	-	-
WEIGHT	-	-



METAL FILM FIXED RESISTORS
SERIES LR2

DIMENSIONS:	TOLERANCES UNLESS OTHERWISE SPECIFIED:
mm	
	0 PLC ±0.2
	1 PLC ±0.1
	2 PLC ±-
	3 PLC ±-
	4 PLC ±-
	ANGLES ±5°
MATERIAL	FINISH
-	-

SIZE	CAGE CODE	DRAWING NO	RESTRICTED TO
A3	00779	C=1622673	-
CUSTOMER DRAWING		SCALE 8:1	SHEET 1 OF 1
			REV BB